

## Micro AcCELLerator™ Antennas

### 3X-C70B-3XR

POWERED BY



Bulletin 628043 • Revision A • March 2015 Page 1 of 4

CommScope Infrastructure Academy offers installation training.

#### GENERAL INFORMATION

The 3X-C70B-3XR antenna (Figure 1) is a compact, tri-sector antenna solution equipped with two hinged covers at the base of the antennas which enable access to the RF and AISG ports plus the mounting interface. Since mounting locations and surfaces will vary, CommScope does not provide the mounting bolts or associated hardware required to properly install this antenna. It is the responsibility of qualified personnel to determine the best method for securely anchoring the base plate of the antenna to the mounting surface.

After removing the antenna from its shipping container carefully inspect it to ensure there is no shipping damage. If the antenna is to be hoisted into position, ensure the lifting eye bolt is correctly installed. Ensure the antenna is securely held during hoisting to avoid rotation on the lifting eye bolt.

DO NOT remove the EYE BOLT after installation, otherwise water ingress to antenna may occur.

#### INSTALLATION INSTRUCTIONS

1. Loosen the thumb screws (Figure 2), and open the covers.

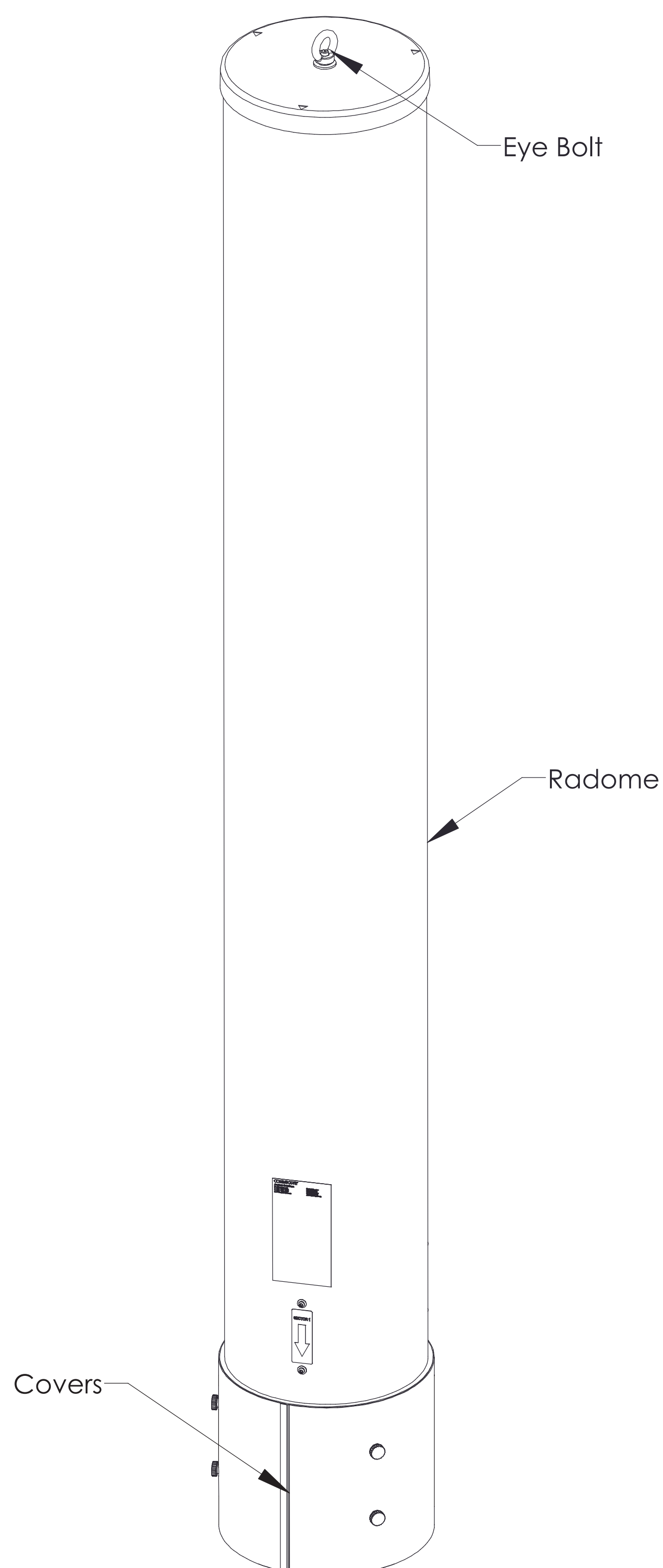


Figure 1. 3X-C70B-3XR

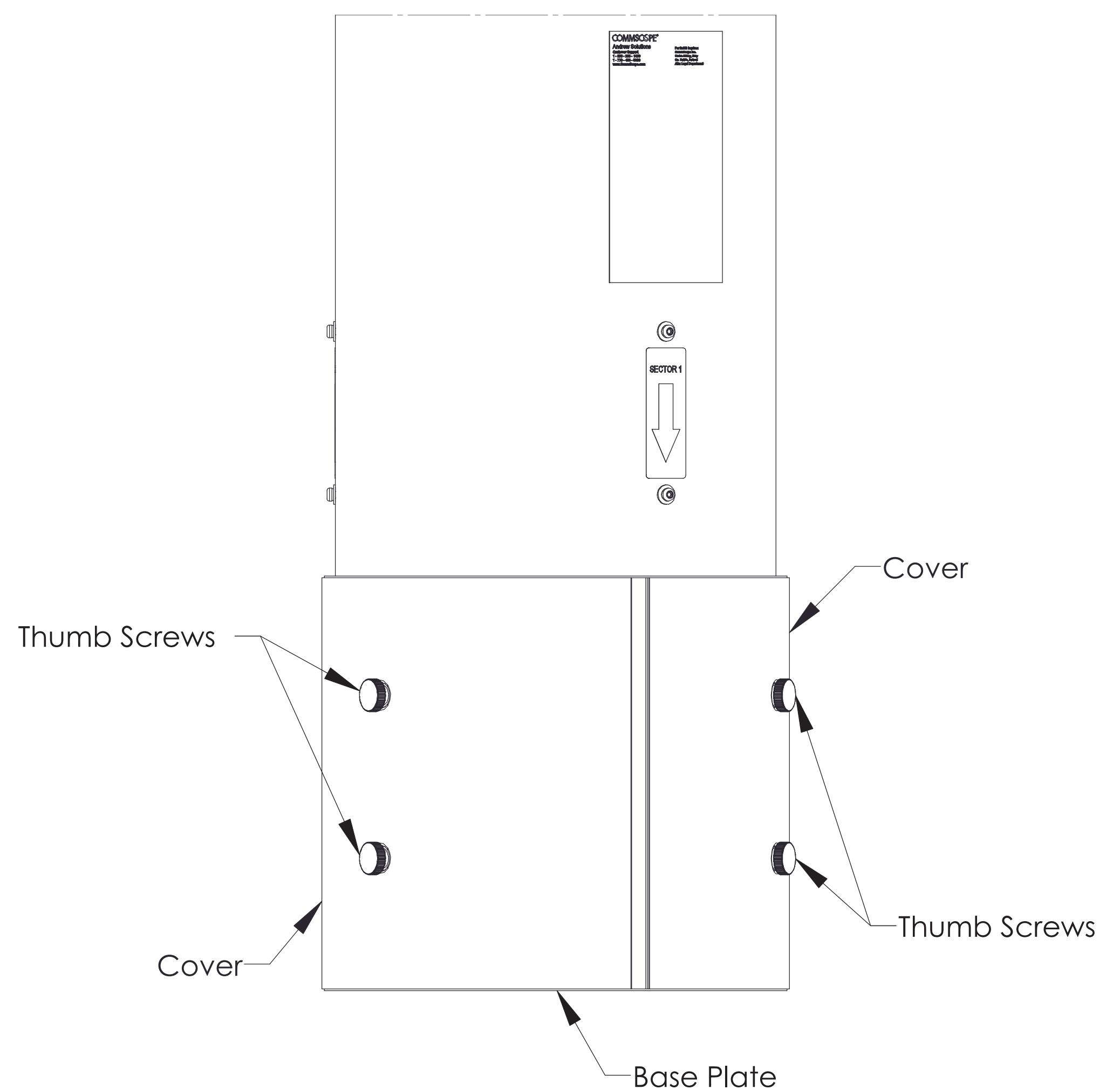


Figure 2. Hinged Covers

(Continued from page 1)

Bulletin 628043 • Revision A • March 2015 Page 2 of 4

- Refer to Figures 3, 4 and 5 for mounting and boresite alignment. It is recommended that the mounting holes be marked and made ready in the mounting surface prior to installing the antenna.

- Using customer supplied hardware, mount the base plate of the antenna to the mounting surface. Tighten hardware to securely anchor the antenna.

**The boresite of each antenna is shown by the boresite indicator (featured in Figure 5). The direction of each antenna must be considered prior to mounting to ensure desired performance.**

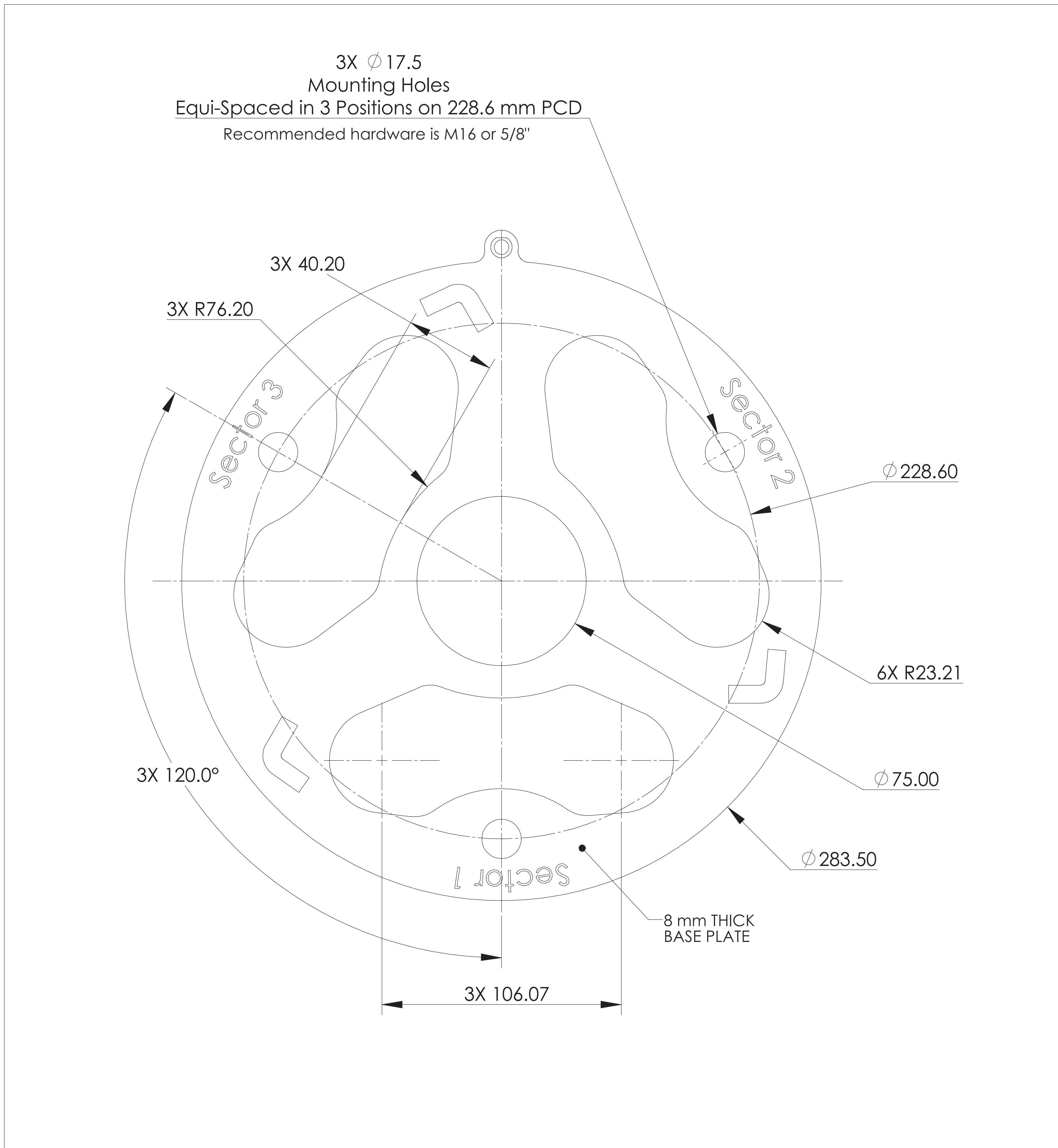


Figure 3. Mounting and Cable Routing Holes on Base.

Viewed From Bottom Side Of Antenna



4. Remote Electrical Tilt Connection.

A single AISG 8 Pin DIN Male input connector interface is provided which will accept a cable assembly terminated with a standard AISG compliant 8 Pin DIN Female connector. An AISG 8 Pin DIN Female output connector interface is also provided which enables a "daisy" chain connection to other AISG compliant devices should it be required. After ensuring the connector is dry, push in the mating connector. Tighten the AISG mating connector by hand only. Do not apply any more rotational force to the AISG mating connector than needed to properly mate the seal and do not exceed 1.1 Nm. Using excessive torque may damage the AISG connection in the antenna. If needed or required by local procedures apply mastic (or similar waterproofing) to the mating connectors (Figure 4).

5. Attach the RF cables to the antenna input connectors and torque to 25-30 Nm (Figure 5).

Route RF cable along metal rails, etc. as much as possible, to enhance noise and lightning immunity. The antenna base provides openings that can be used to route cable through the base when mounting on a monopole (Figure 3).

Don't remove female AISG connector cap if it is not used.

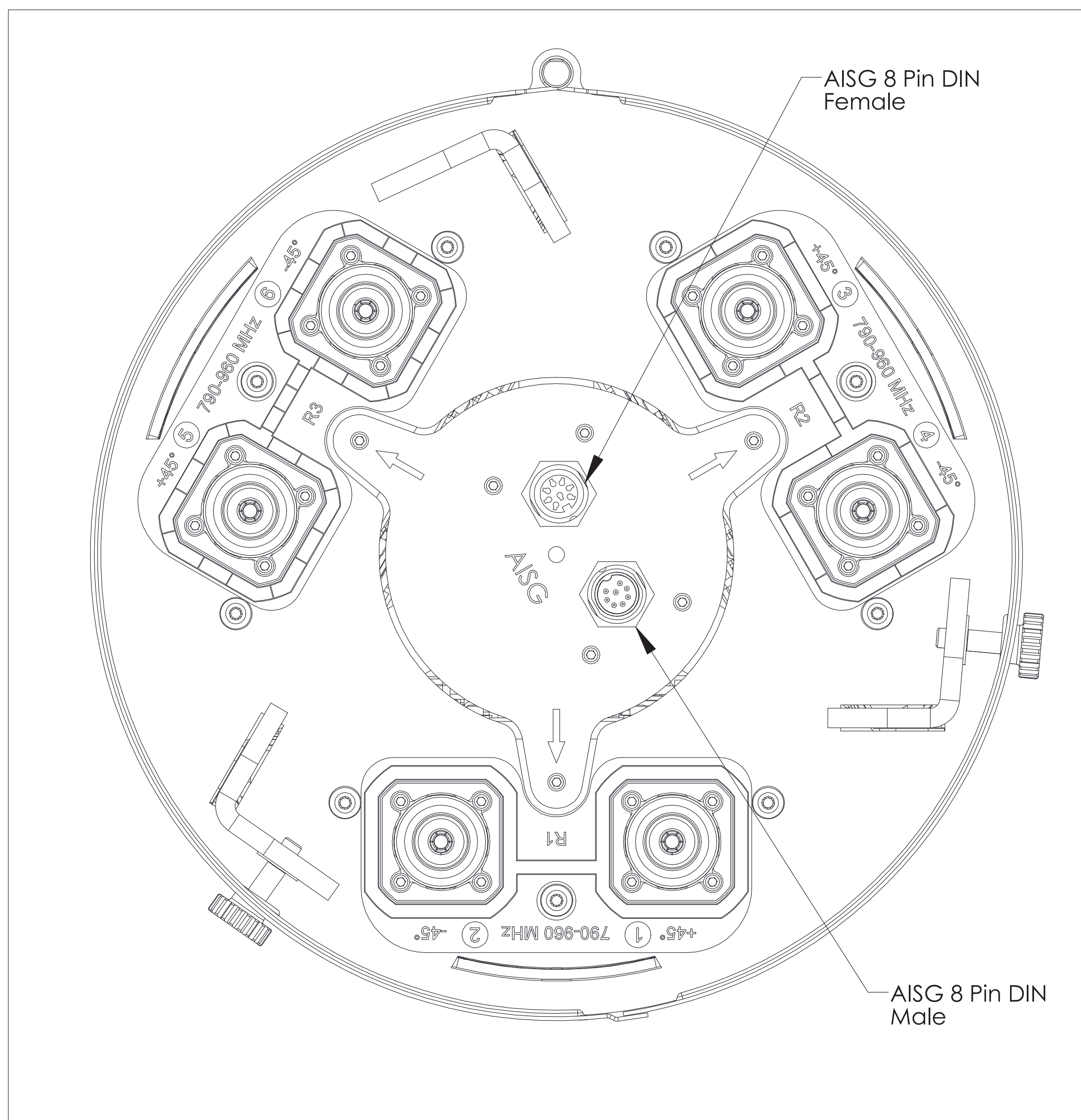


Figure 4. Connector Interface.

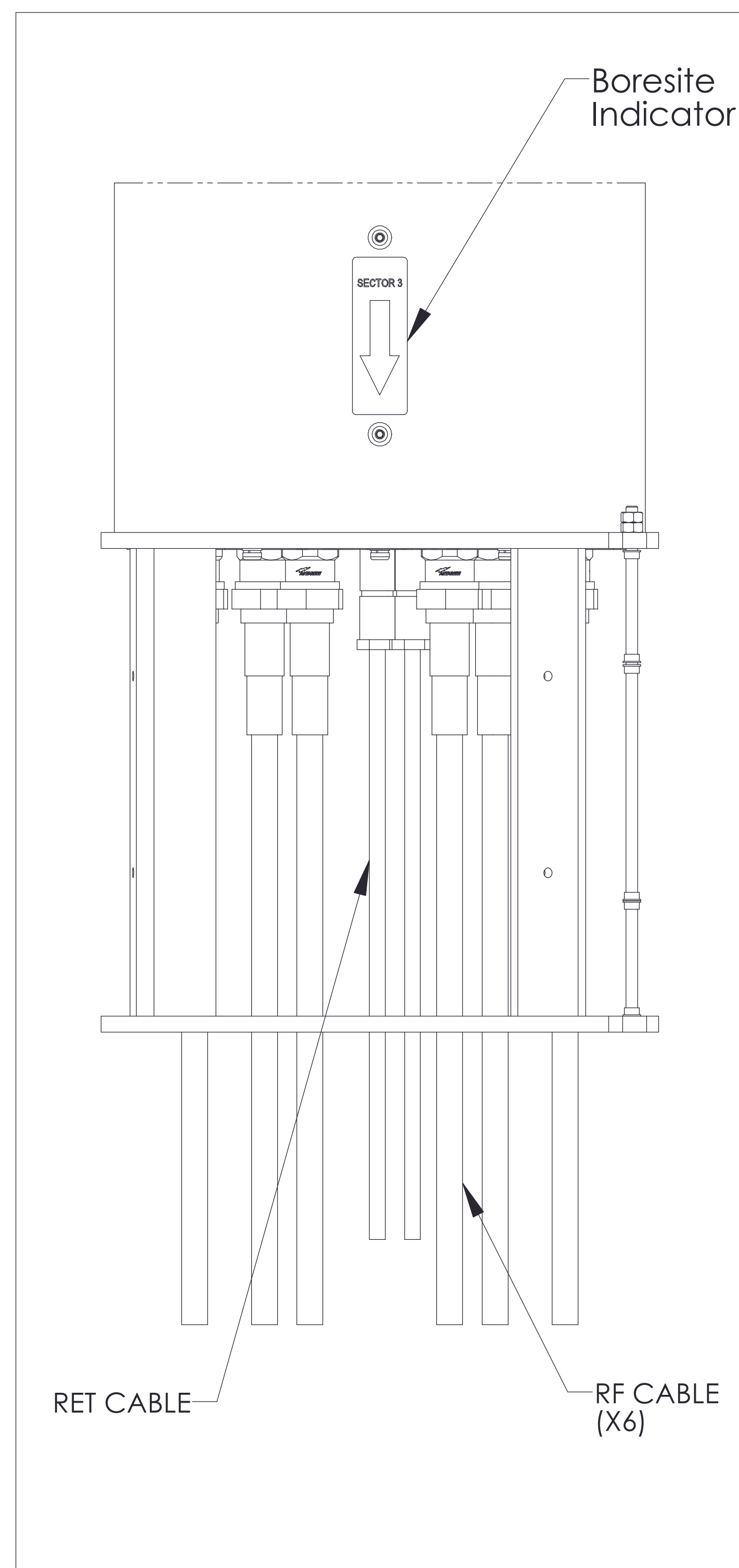


Figure 5. Routing Cables.



(Continued from page 3)

Bulletin 628043 • Revision A • March 2015 Page 4 of 4

6. Once the antenna is correctly installed and positioned, all RF cables, RET cables and securing hardware are correctly tightened, the covers should be re-attached.

**When attaching the covers, make sure the screws are attached to the covers (Figure 6), then install the thumb screws to the holes, tighten the screws by hand. see Figure 7.**

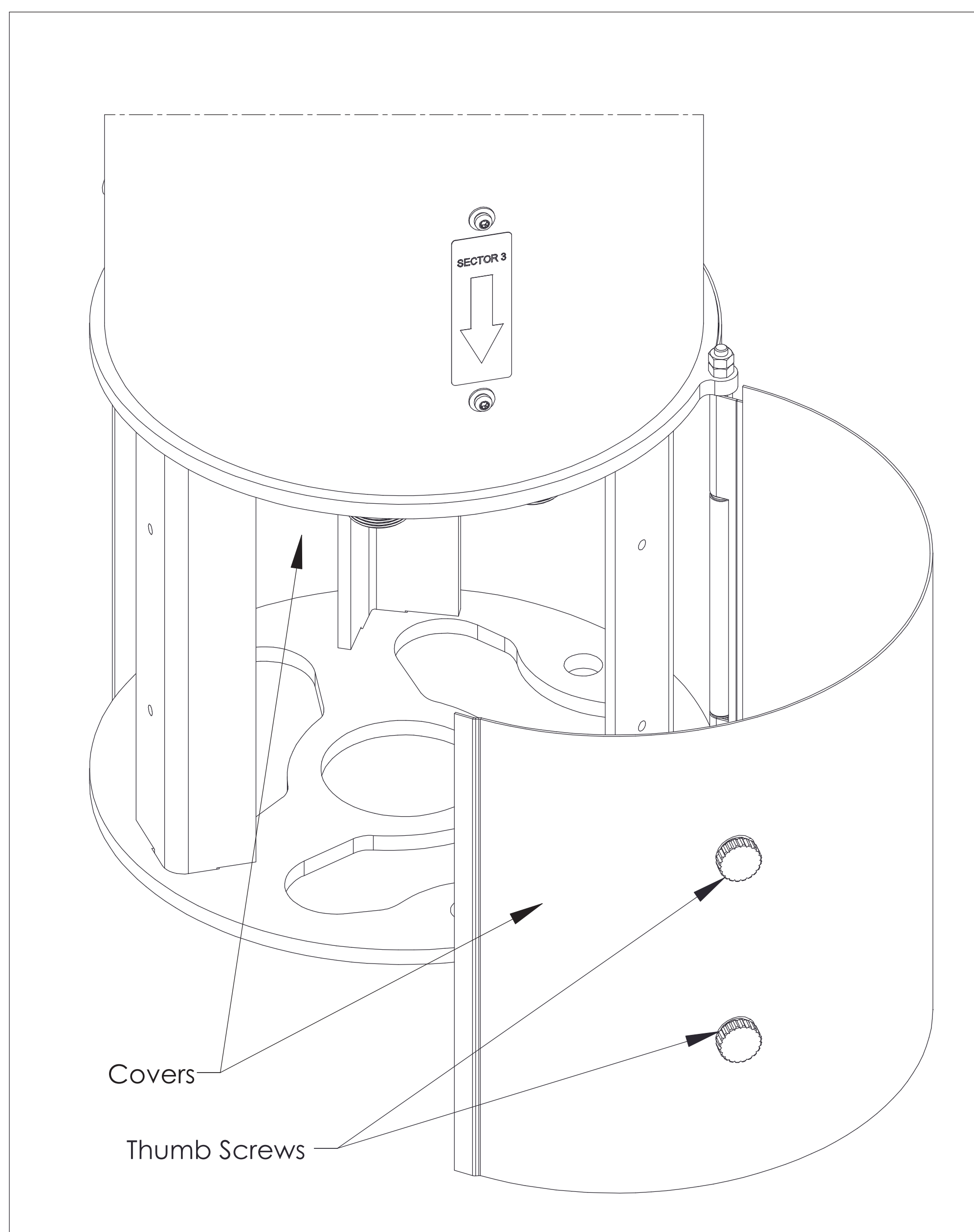


Figure 6. Covers with attached screws

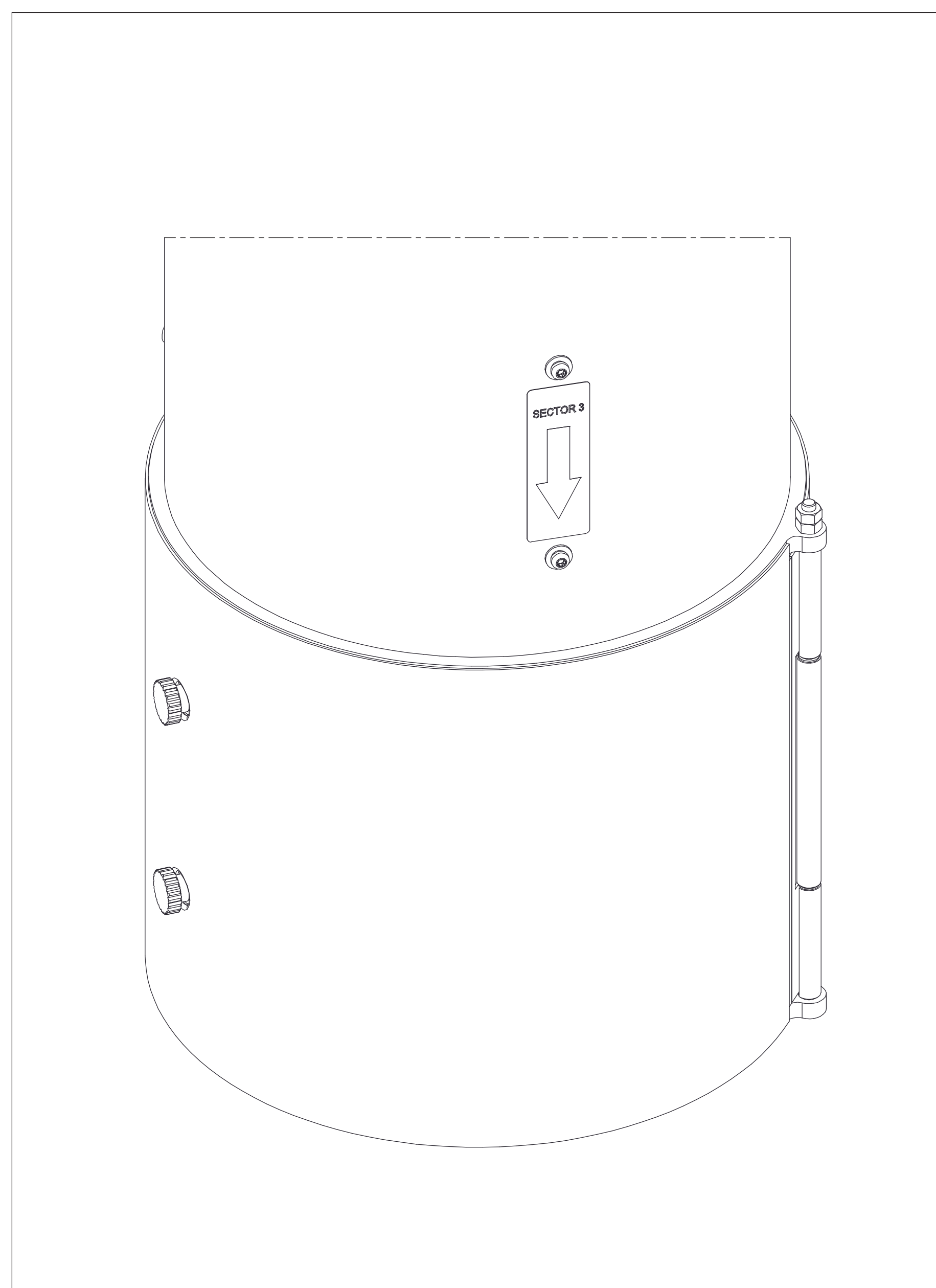


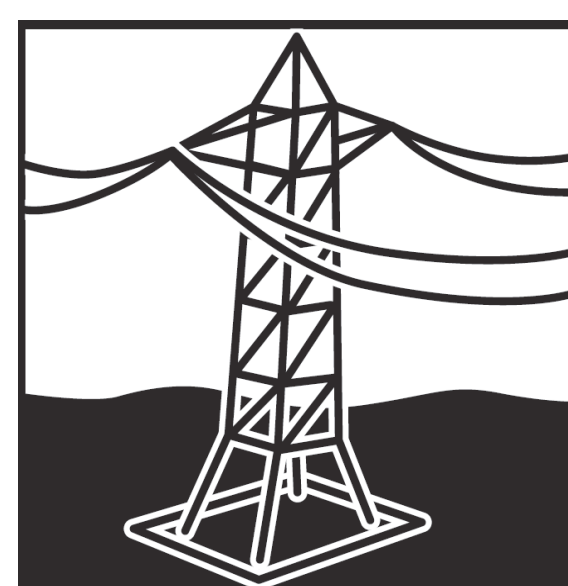
Figure 7. Tighten the screws

### **SAFETY NOTICE**

The installation, maintenance, or removal of an antenna requires qualified, experienced personnel. CommScope installation instructions are written for such installation personnel. Antenna systems should be inspected once a year by qualified personnel to verify proper installation, maintenance, and condition of equipment.

CommScope disclaims any liability or responsibility for the results of improper or unsafe installation practices.

It is recommended that transmit power be turned off when the field installation is performed. Follow all applicable safety precautions as shown on this page.



Do not install near power lines. Power lines, telephone lines, and guy wires look the same. Assume any wire or line can electrocute you.



Do not install on a wet or windy day or when lightning or thunder is in the area. Do not use metal ladder.



Wear shoes with rubber soles and heels. Wear protective clothing including a long-sleeved shirt and rubber gloves.

### **CommScope**

1100 CommScope Place SE P.O. Box 339, Hickory, NC 28603-0339  
(828) 324-2200 (800) 982-1708  
www.commscope.com

Notice: CommScope disclaims any liability or responsibility for the results of improper or unsafe installation, inspection, maintenance, or removal practices.

Aviso: CommScope no acepta ninguna obligación ni responsabilidad como resultado de prácticas incorrectas o peligrosas de instalación, inspección, mantenimiento o retiro.

Avis : CommScope décline toute responsabilité pour les conséquences de procédures d'installation, d'inspection, d'entretien ou de retrait incorrectes ou dangereuses.

Hinweis: CommScope lehnt jede Haftung oder Verantwortung für Schäden ab, die aufgrund unsachgemäßer Installation, Überprüfung, Wartung oder Demontage auftreten.

Atenção: A CommScope abdica do direito de toda responsabilidade pelos resultados de práticas inadequadas e sem segurança de instalação, inspeção, manutenção ou remoção.

Avvertenza: CommScope declina eventuali responsabilità derivanti dall'esecuzione di procedure di installazione, ispezione, manutenzione e smontaggio improprie o poco sicure.

注意: CommScope 公司申明对于不恰当或不安全的安装、检验、维修或拆卸操作所导致的后果不负任何义务和责任。

### **Customer Service 24 hours**

North America: +1-800-255-1479 (toll free)

Any country: +1-779-435-6500

email: [acicustomersupportcenter@commscope.com](mailto:acicustomersupportcenter@commscope.com)