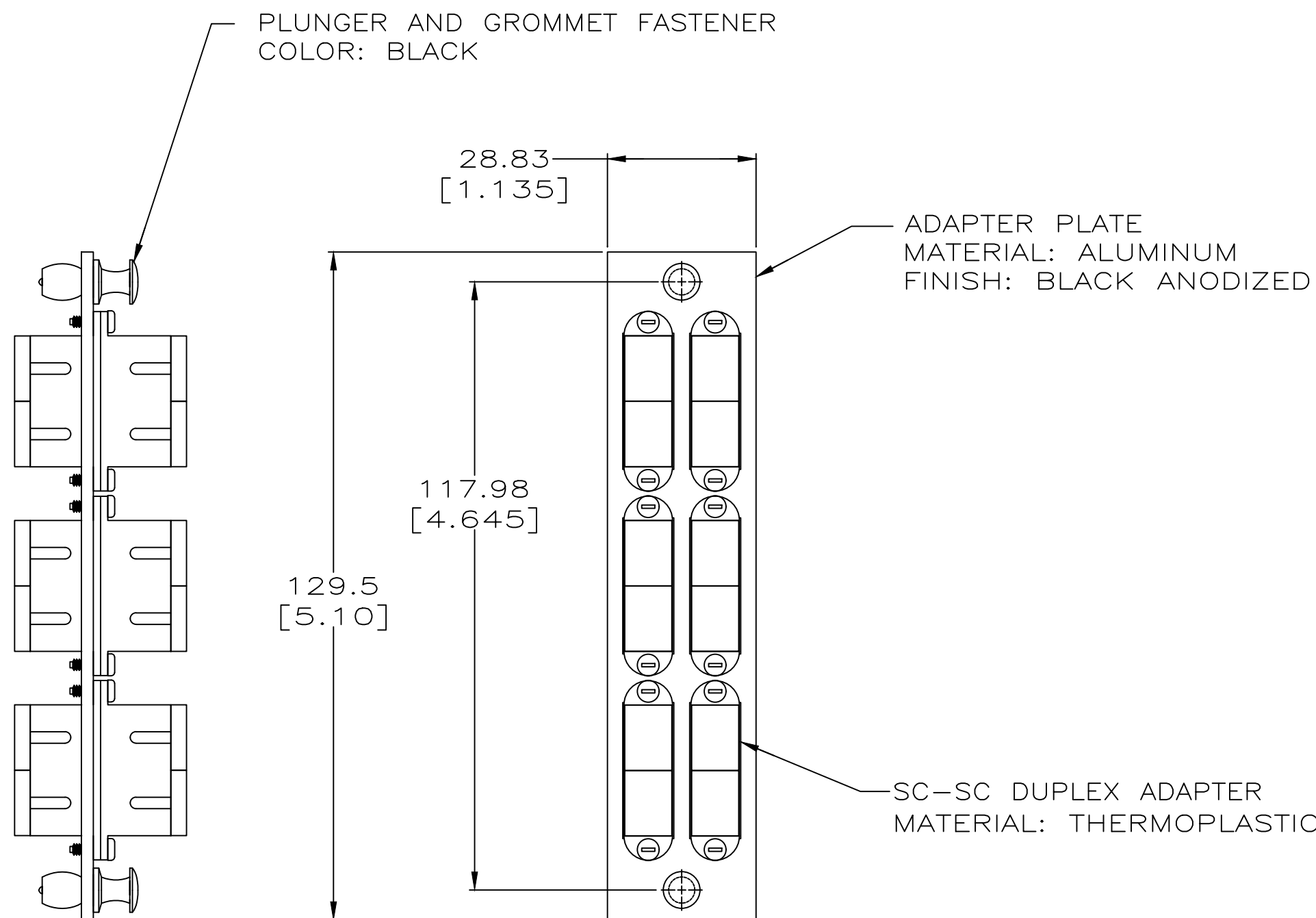


THIS DRAWING IS UNPUBLISHED. RELEASED FOR PUBLICATION

© 2016 Commscope, INC. Confidential NOTICE: These drawings and specifications are the proprietary property of COMMSCOPE, INC. and may be used only for the specific purpose authorized in writing by COMMSCOPE, INC.

LOC		DIST		REVISIONS			
P	LTR	DESCRIPTION		DATE	DWN	APVD	
	E2	REVISED PER ECO-11-005033		22MAR11	RK	HMR	
	F	REBRANDING		28DEC16			



CERAMIC(MM)	AQUA	6 SC RECPT W/ CERAMIC SLEEVE	559596-7
MULTIMODE	AQUA	6 SC RECPT W/ PH BRZ SLEEVE	559596-6
MULTIMODE	BLACK	6 SC RECPT W/ PH BRZ SLEEVE	559596-5
CERAMIC(MM)	BEIGE	6 SC RECPT W/ CERAMIC SLEEVE	559596-4
SM APC	GREEN	6 SC RECPT W/ CERAMIC SLEEVE	559596-3
SINGLEMODE	BLUE	6 SC RECPT W/ CERAMIC SLEEVE	559596-2
MULTIMODE	BEIGE	6 SC RECPT W/ PH BRZ SLEEVE	559596-1
TYPE	COLOR	COUPLING BUSHING	PART NO.

THIS DRAWING IS A CONTROLLED DOCUMENT.		DWN L. HALL 29DEC2005	COMMSCOPE, INC.	
DIMENSIONS: INCHES		CHK S. HERNDON 30DEC2005		
TOLERANCES UNLESS OTHERWISE SPECIFIED:		APVD S. HERNDON 30DEC2005	NAME ADAPTER PLATE ASSY, SNAP-IN COMPATIBLE, SC-SC DUPLEX, 6 PACK SC-SC DUPLEX, 12 PORT	
0 PLC ± - 1 PLC ± - 2 PLC ± 0.5[.02] 3 PLC ± 0.25[.010] 4 PLC ± - ANGLES ± -		PRODUCT SPEC -	SIZE A2	CAGE CODE C=559596
MATERIAL -		FINISH -	WEIGHT -	RESTRICTED TO -
CUSTOMER DRAWING			SCALE 1:1	SHEET 1 of 1
			REV F	

559596

A