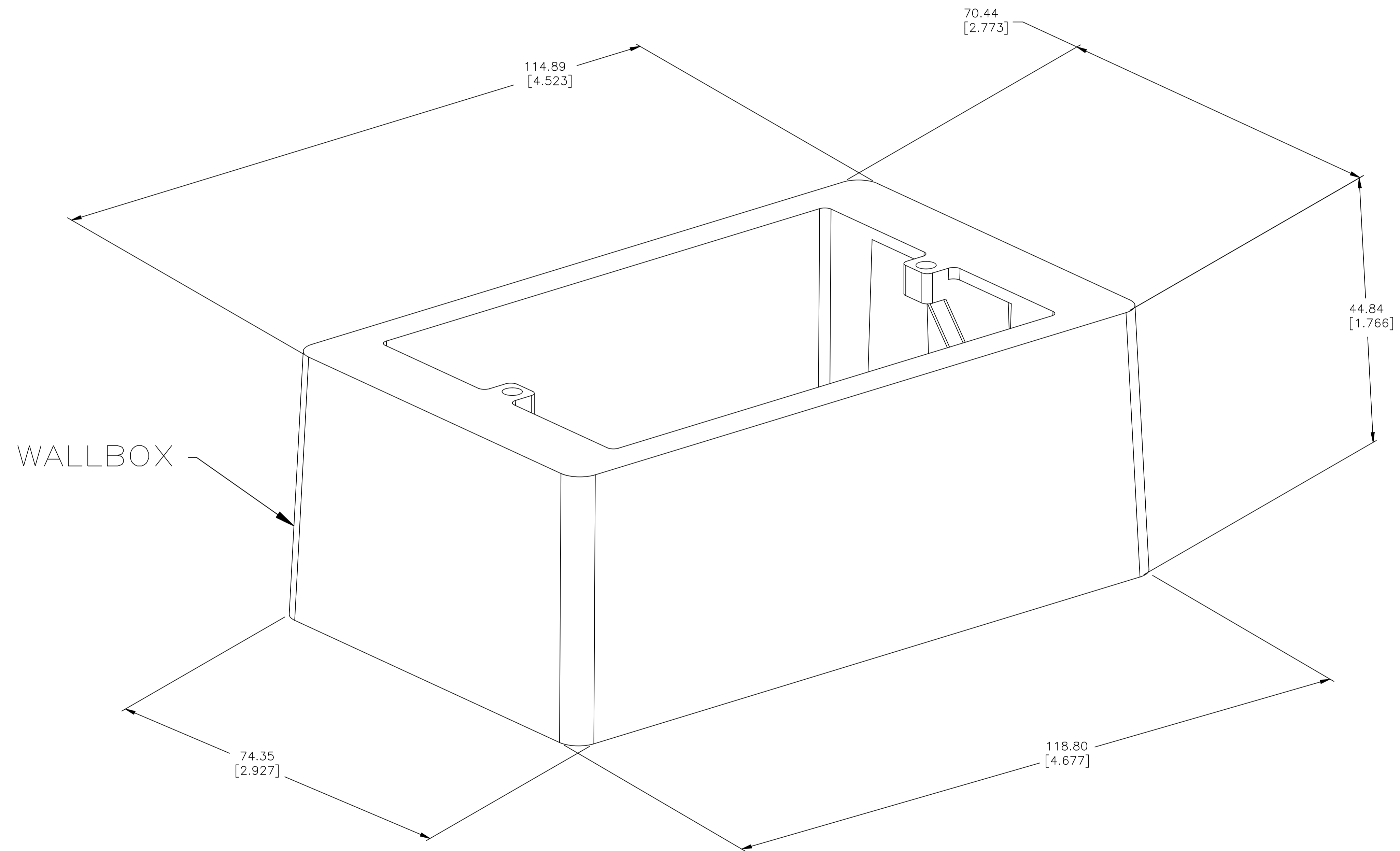


LOC		DIST		REVISIONS			
REV	DATE	DESCRIPTION	DATE	DWN	APPD		
D	28JAN2015	REV: ECO-15-001353	28JAN2015	GG	RA		
E	16JAN2017	REV PER BNS_CD_BRAND	16JAN2017	GG	DC		



- 1 MATERIAL: ABS MOLDING COMPOUND
94V-0 RATED, SEE TABLE.
SCREWS - ZINC PLATED CARBON STEEL.
- 2 ALL DIMENSIONS ARE MAXIMUM.
- 3 TWO 6-20X12.7 [.50] PAN HEAD, TYPE B, SELF TAPPING SCREWS AND TWO PIECES OF FOAM TAPE 25.4 [1.00] X 25.4 [1.00] X 0.76 [.03] THICK AND PROVIDED FOR MOUNTING.
- 4 PACKAGED UNASSEMBLED, ONE KIT PER POLYBAG.

ALPINE WHITE	1-558251-3
ELECTRIC IVORY	1-558251-1
WHITE	558251-3
BLACK	558251-2
LT ALMOND	558251-1
COLOR	PART NO.

THIS DRAWING IS A CONTROLLED DOCUMENT.		DWN	TL PITTS	11-19-93
DIMENSIONS: mm [INCHES]		CHK	C. WHITT	11-24-93
TOLERANCES UNLESS OTHERWISE SPECIFIED:		APVD	J. SCHLUNZ	11-24-93
0 PLC	±	NAME		
1 PLC	±	-		
2 PLC	±	PRODUCT SPEC		
3 PLC	±	-		
4 PLC	±	APPLICATION SPEC		
ANGLES	±	SIZE	CAGE CODE	DRAWING NO
FINISH	±	WEIGHT	-	©=558251
MATERIAL		CUSTOMER DRAWING		RESTRICTED TO
SCALE 2:1		SHEET 1 of 1		REV E

COMMSCOPE, INC.

WALLBOX KIT, LAN OUTLET