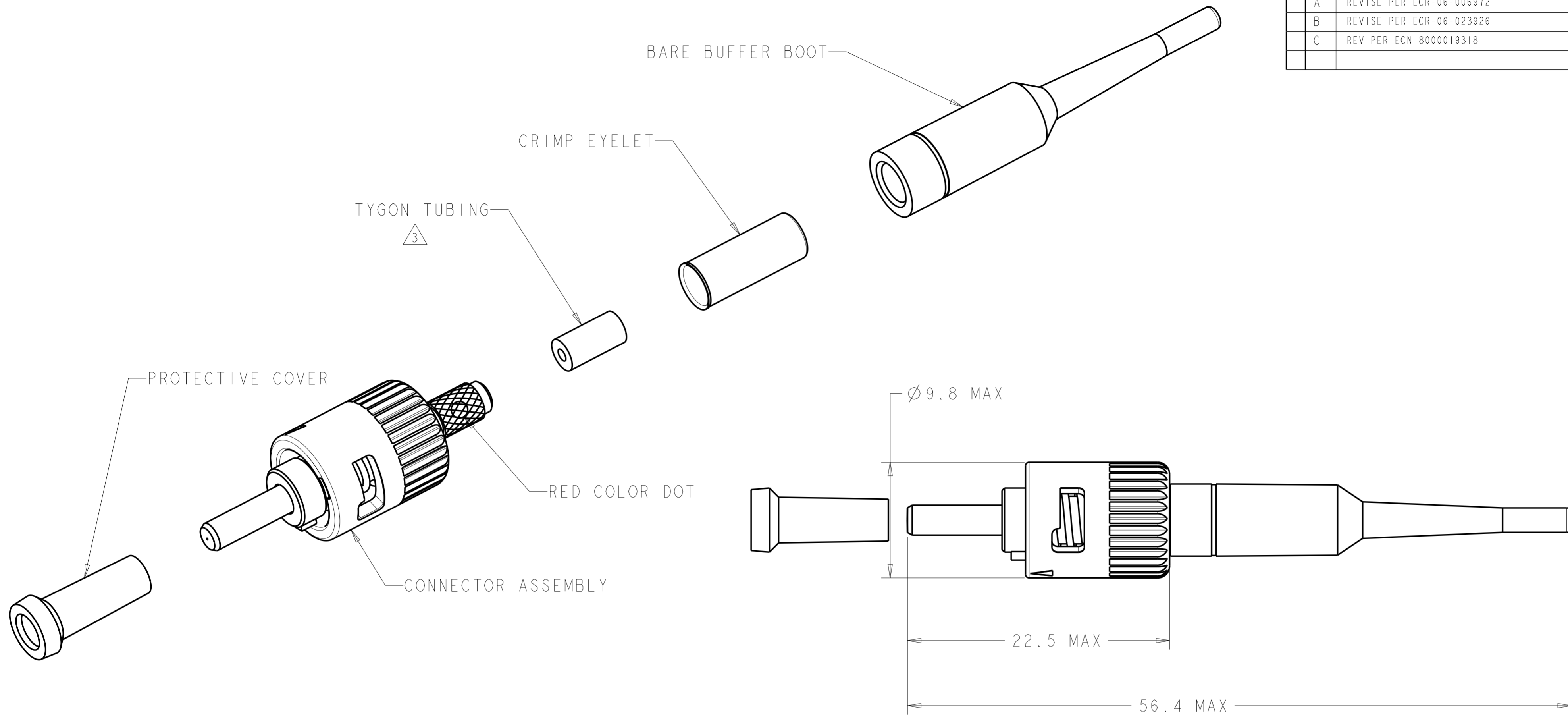


THIS DRAWING IS UNPUBLISHED. RELEASED FOR PUBLICATION
 © 2016 COMMScope, INC. CONFIDENTIAL NOTICE: THESE DRAWINGS AND SPECIFICATIONS ARE THE PROPRIETARY PROPERTY OF COMMScope, INC. AND MAY BE USED ONLY FOR THE SPECIFIC PURPOSE AUTHORIZED IN WRITING BY COMMScope, INC.

REVISIONS				
P	LTR	DESCRIPTION	DATE	APVD
A		REVISE PER ECR-06-006972	23MAR2006	BB SB
B		REVISE PER ECR-06-023926	12OCT2006	BB SB
C		REV PER ECN 8000019318	31JAN2017	GG TE



- △ MATERIAL:
 PROTECTIVE COVER: LDPE, COLOR: BLACK, NON-FR.
 CONNECTOR ASSEMBLY
 FERRULE ASSEMBLY: CERAMIC/NICKEL PLATED BRASS
 SPRING: STAINLESS STEEL
 COUPLING NUT: ZINC
 RETENTION RING: STAINLESS STEEL
 CRIMP EYELET: TIN PLATED COPPER
 BARE BUFFER BOOT: TPE, UL94 V-0 RATED AT QUALIFYING THICKNESS
 TYGON TUBING: TYGON, COLOR: CLEAR

△ BULK PACKAGE.

△ TYGON TUBING USED ONLY WITH 900um BUFFERED FIBER. (FIBER WITHOUT STRENGTH MEMBERS)

ASSEMBLED CONNECTOR

△ 2	-	-	5503613-4
△ 2	TYGON	YELLOW	5503613-3
	TYGON	YELLOW	5503613-2
	TUBING △ 3	BUFFER BOOT COLOR	PART NUMBER

THIS DRAWING IS A CONTROLLED DOCUMENT.		DWN B. BRIGGS 24 JUN 2005	COMMScope, INC.	
DIMENSIONS: mm		CHK S. BUCHTER 24 JUN 2005		
TOLERANCES UNLESS OTHERWISE SPECIFIED: 0 PLC ± 1 PLC ± 2 PLC ± 3 PLC ± 4 PLC ± ANGLES ± FINISH		APVD S. BUCHTER 24 JUN 2005	NAME CONNECTOR KIT, 2.5mm BAYONET, SINGLEMODE, OPTIMATE	
MATERIAL △ 1		PRODUCT SPEC -	SIZE A2	CAGE CODE C-5503613
		APPLICATION SPEC -	DRAWING NO -	RESTRICTED TO -
		WEIGHT -	SCALE 4:1	SHEET 1 OF 1
		CUSTOMER DRAWING	REV C	