

THIS DRAWING IS UNPUBLISHED.

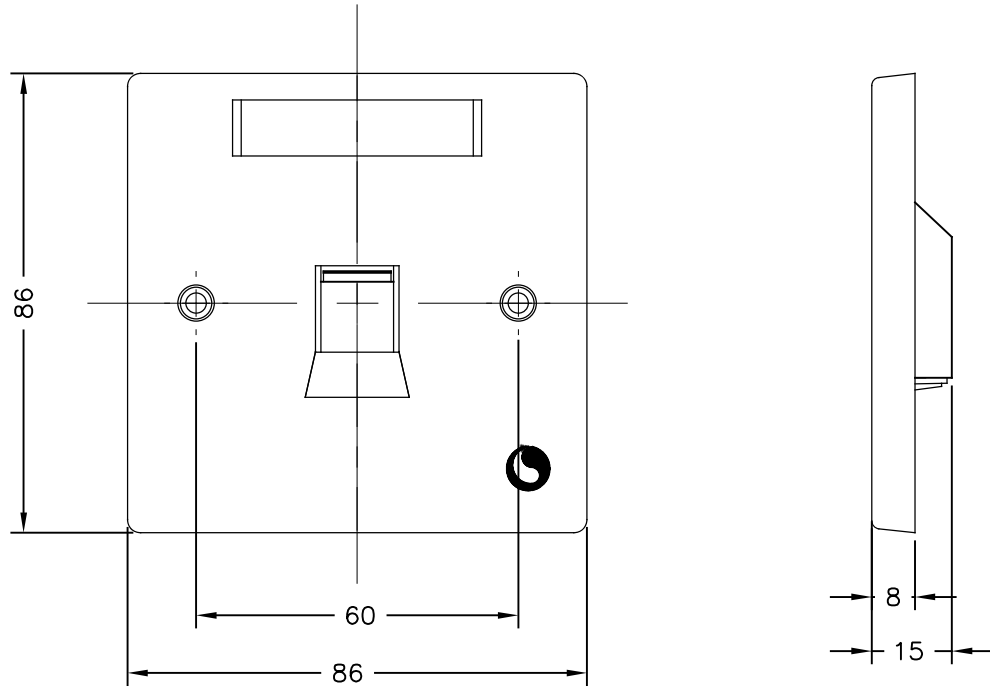
RELEASED FOR PUBLICATION

© 2016 Commscope, INC. Confidential

NOTICE: These drawings and specifications are the proprietary property of COMMSCOPE, INC. and may be used only for the specific purpose authorized in writing by COMMSCOPE, INC.

REVISIONS

P	LTR	DESCRIPTION	DATE	DWN	APVD
	C	40033723MCO	06/OCT	PY	SH



FACE PLATE KIT			
SI No.	DESCRIPTION	qTY.	MATERIAL/SPEC.
01	FACE PLATE	01	ABS UL94V-0 (COLOR: RAL 9003)
02	JACK HOLDER	01	
03	COVER LABEL	01	
04	COVER SCREW	02	
05	SCREW PAN HD. M3.5X0.35X25mm	02	
06	SHUTTER	01	
07	SPRING SHUTTER	01	

- NOTE:
1. PACKING: KIT SUPPLIED IN SEPARATE POLYTHENE POLY BAG. FACE PLATE & KIT IN SINGLE POLY BAG.
  2. FACE PLATE ASSEMBLY WITH JACK HOLDER, SHUTTER & SPRING.

235001-1

THIS DRAWING IS A CONTROLLED DOCUMENT.		DWN YADAV 30AUG2013	<b>COMMSCOPE, INC.</b>		
DIMENSIONS: mm		CHK HUBLIKAR 30AUG2013			
TOLERANCES UNLESS OTHERWISE SPECIFIED:		APVD MYLARAIAH 30AUG2013	NAME 1-PORT BS SHUTTERED FACEPLATE		
0 PLC ± -		PRODUCT SPEC	-		
1 PLC ± -		APPLICATION SPEC	-		
2 PLC ± -		WEIGHT	-		
3 PLC ± -		SIZE	CAGE CODE	DRAWING NO	RESTRICTED TO
4 PLC ± -		A3	00779	C=235001	-
ANGLES ± -		CUSTOMER DRAWING		SCALE	SHEET
MATERIAL		-		NTS	1 OF 2
FINISH		-		REV	C

THIS DRAWING IS UNPUBLISHED.

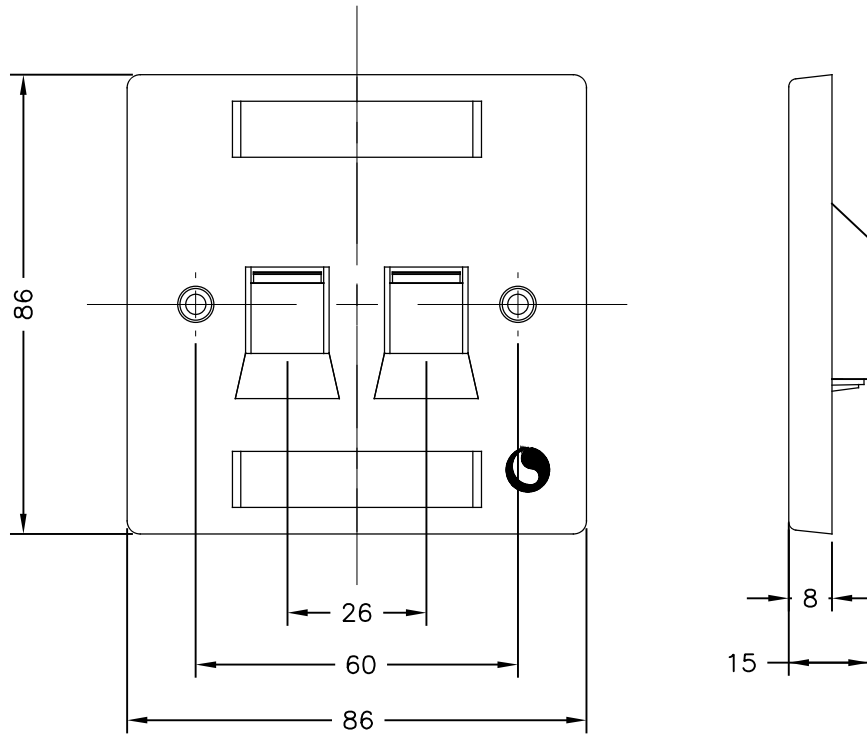
RELEASED FOR PUBLICATION

© 2016 Commscope, INC. Confidential

NOTICE: These drawings and specifications are the proprietary property of COMMSCOPE, INC. and may be used only for the specific purpose authorized in writing by COMMSCOPE, INC.

REVISIONS

P	LTR	DESCRIPTION	DATE	DWN	APVD
	C	40033723MCO	06/OCT	PY	SH



FACE PLATE KIT			
SI No.	DESCRIPTION	Qty.	MATERIAL/SPEC.
01	FACE PLATE	01	ABS UL94V-0 (COLOR: RAL 9003)
02	JACK HOLDER	01	
03	COVER LABEL	02	
04	COVER SCREW	02	
05	SCREW PAN HD. M3.5X0.35X25mm	02	
06	SHUTTER	02	
07	SPRING SHUTTER	02	

- NOTE:
1. PACKING: KIT SUPPLIED IN SEPARATE POLYTHENE POLY BAG. FACE PLATE & KIT IN SINGLE POLY BAG.
  2. FACE PLATE ASSEMBLY WITH JACK HOLDER, SHUTTER & SPRING.

235001-2

THIS DRAWING IS A CONTROLLED DOCUMENT.		DWN YADAV 30AUG2013	<b>COMMSCOPE, INC.</b>		
DIMENSIONS: mm		CHK HUBLIKAR 30AUG2013			
TOLERANCES UNLESS OTHERWISE SPECIFIED:		APVD MYLARAIAH 30AUG2013	NAME 2-PORT BS SHUTTERED FACEPLATE		
0 PLC ± -		PRODUCT SPEC	-		
1 PLC ± -		APPLICATION SPEC	-		
2 PLC ± -		WEIGHT	SIZE A3	CAGE CODE 00779	DRAWING NO C=235002
3 PLC ± -		MATERIAL	RESTRICTED TO		
4 PLC ± -		FINISH	-		
ANGLES ± -			CUSTOMER DRAWING		
			SCALE NTS	SHEET 2 OF 2	REV C