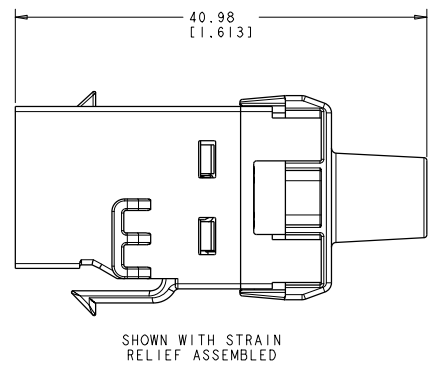
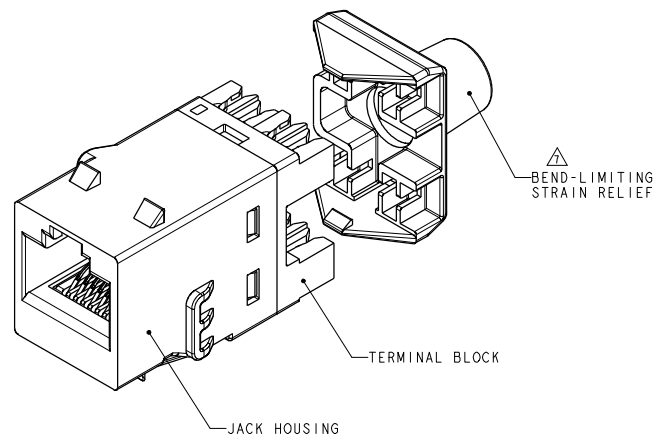
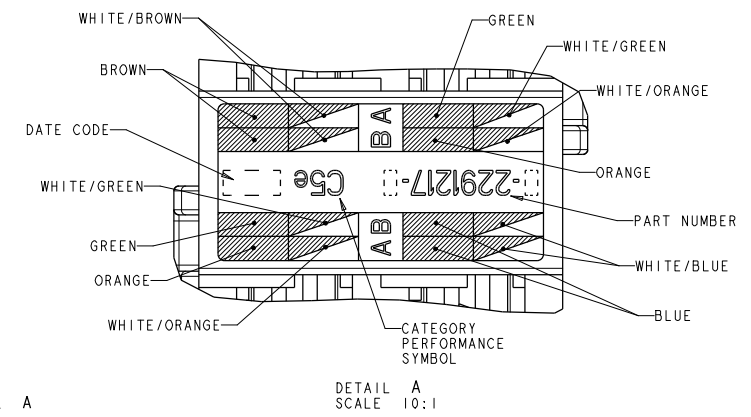
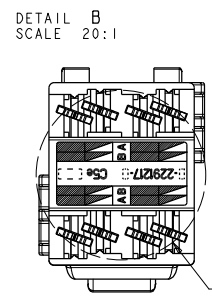
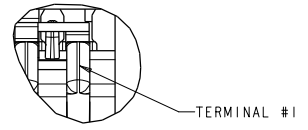
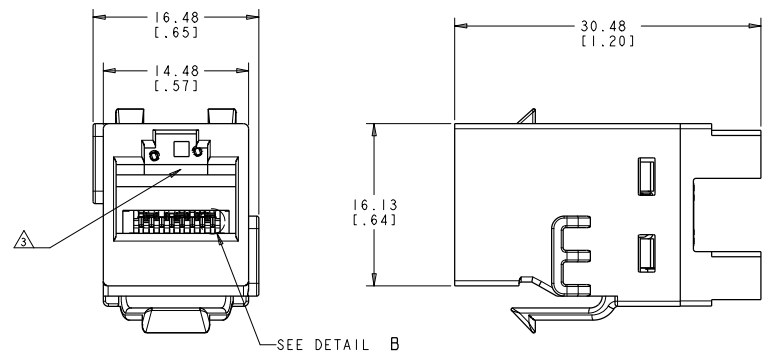


| REVISONS | | DATE | BY | APP'D |
|----------|------------------------|-----------|----|-------|
| 1 | REV PER ECR 0000017362 | 17NOV2014 | GG | SJ |



- △ MATERIAL: JACK HOUSING - POLYCARBONATE, 94V-0 RATED. 110 BLOCK AND STRAIN RELIEF- POLYCARBONATE. ARRAY TRAY - PBT POLYESTER. JACK CONTACTS ARRAY - BERYLLIUM COPPER, PLATED WITH 1.27µm [0.00050] MINIMUM THICK GOLD IN LOCALIZED AREA AND 3.81µm [0.00150] MINIMUM THICK MATTE TIN IN BOARD INTERFACE AREA OVER 1.27µm [0.00050] MINIMUM THICK NICKEL UNDERPLATE. IDC TERMINALS - PHOSPHOROUS BRONZE, PLATED WITH 3.81µm [0.0015] MINIMUM THICK MATTE TIN OVER 1.27µm [0.0005] MINIMUM THICK NICKEL UNDERPLATE.
- 2. KL 110 JACK WILL TERMINATE 22-24 AWG SOLID AND 24-26 AWG STRANDED CONDUCTORS, 1.27[.050] MAXIMUM INSULATION DIAMETER. JACK WILL ACCEPT CONDUCTORS UP TO 1.45 [.057] BUT REQUIRE THE USE OF A STRAIN RELIEF.
- △ CAVITY CONFORMS TO FCC RULES AND REGULATIONS) PART 68 SUBPART F REQUIREMENTS.
- 4. MOUNTING PANEL THICKNESS 1.22 - 1.55 [.048 - .061].
- △ THESE TWO SUGGESTED CUTOUT OPENINGS ARE USED IN TANDEM WITH DUAL FRONT AND BACK CUTOUTS.
- △ ONE MODULAR JACK ASSEMBLY AND ONE STRAIN RELIEF PER POLYBAG.
- △ USE OF STRAIN RELIEF IS OPTIONAL.
- △ REFER TO 408-8858 FOR TERMINATION INSTRUCTIONS USING SL SERIES TOOL TERMINATION. REFER TO 408-8417 FOR TERMINATION INSTRUCTIONS USING 110 PUNCH DOWN TOOL.

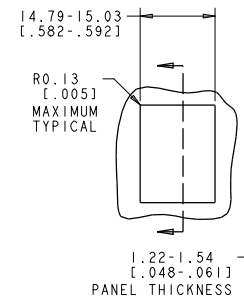


| COLOR CODE | IDC TERMINAL | MODULAR JACK |
|--------------|--------------|--------------|
| WHITE/BLUE | 5 | 5 |
| BLUE | 4 | 4 |
| WHITE/ORANGE | 3 | 3 |
| ORANGE | 2 | 2 |
| WHITE/GREEN | 1 | 1 |
| GREEN | 6 | 6 |
| WHITE/BROWN | 7 | 7 |
| BROWN | 8 | 8 |

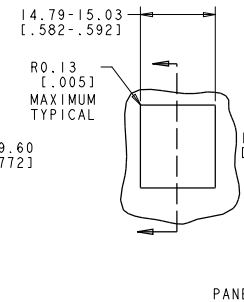
ELECTRICAL SCHEMATIC T568A

| COLOR CODE | IDC TERMINAL | MODULAR JACK |
|--------------|--------------|--------------|
| WHITE/BLUE | 5 | 5 |
| BLUE | 4 | 4 |
| WHITE/ORANGE | 1 | 1 |
| ORANGE | 2 | 2 |
| WHITE/GREEN | 3 | 3 |
| GREEN | 6 | 6 |
| WHITE/BROWN | 7 | 7 |
| BROWN | 8 | 8 |

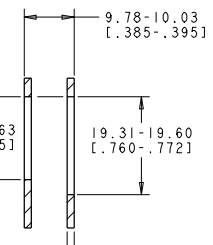
ELECTRICAL SCHEMATIC T568B



SINGLE PANEL CUTOUT △



SUGGESTED FLUSH MOUNT PANEL APPLICATION CUTOUT △



| PACKAGE | HOUSING COLOR | PART NUMBER |
|----------------|---------------|-------------|
| ALPINE WHITE | | 1-2291217-3 |
| ELECTRIC IVORY | | 1-2291217-1 |
| VIOLET | | 1-2291217-0 |
| GREEN | | 2291217-9 |
| YELLOW | | 2291217-8 |
| RED | | 2291217-7 |
| BLUE | | 2291217-6 |
| ORANGE | | 2291217-5 |
| NEMA GRAY | | 2291217-4 |
| BLACK | | 2291217-2 |
| LIGHT ALMOND | | 2291217-1 |

THIS DRAWING IS A CONTROLLED DOCUMENT. DATE: 17MAR2015. BY: G. GARRETT. CHECKED: T. SCHLOSS. APPROVED: T. SCHLOSS. PROJECT SPEC: T. SCHLOSS. APPLICATION SPEC: T. SCHLOSS. MATERIAL: T. SCHLOSS. PART: T. SCHLOSS. CUSTOMER DRAWING: T. SCHLOSS.

COMMSCOPE, INC. KJ510 MODULAR JACK. SIZE: 100779. DRAWING NO: 2291217. SHEET 1 OF 1. SCALE: 4:1.