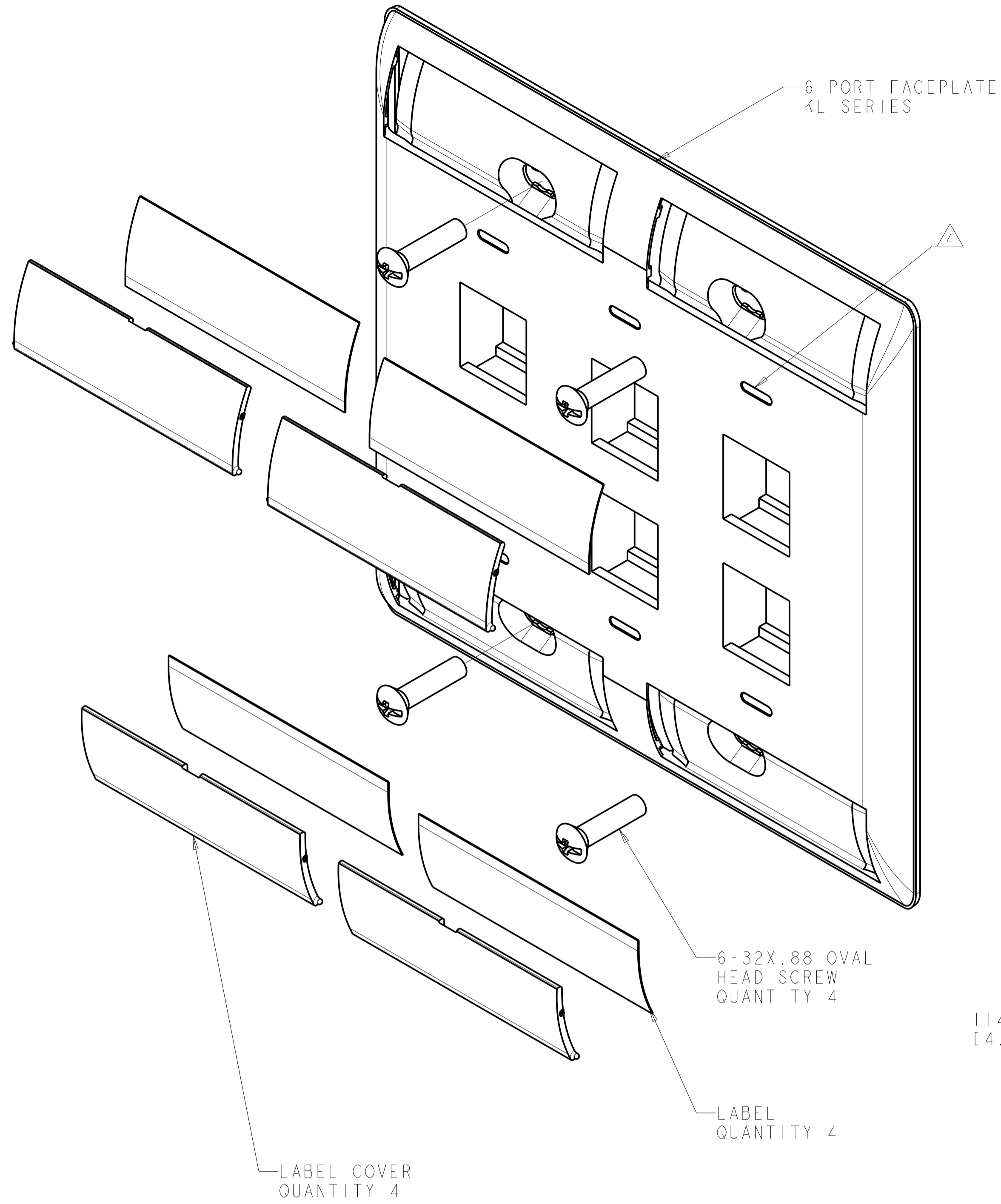
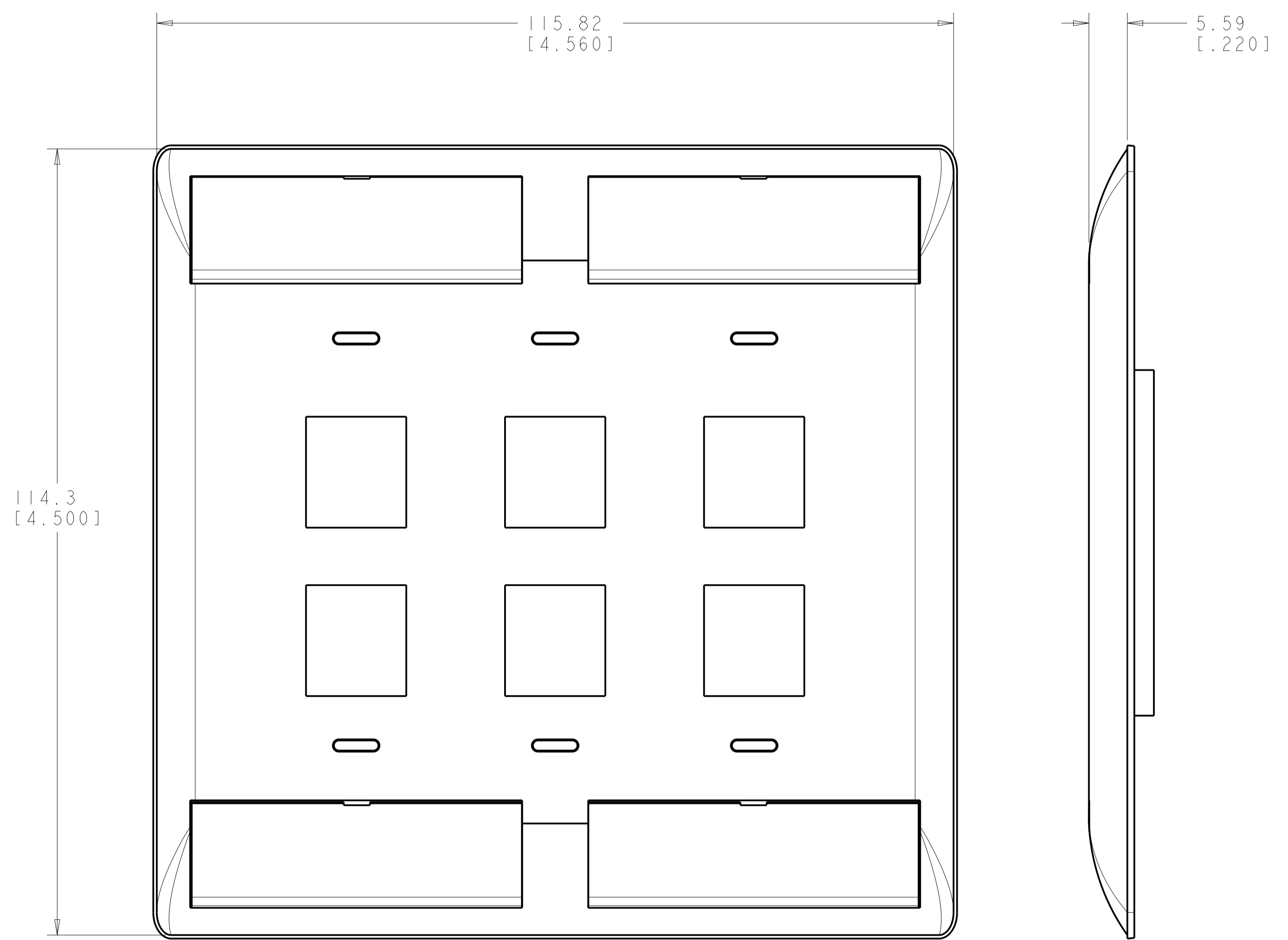


REVISIONS				
REV	LTN	DESCRIPTION	DATE	APP'D
A		RLSD; ECO-10-003803	09FEB2010	GG RA
B		REV; ECO-10-005392	10MAR2010	GG RA
C		REV PER BNS_CD_BRAND	01FEB2017	GG DC



- 1. DIMENSIONS ARE NOMINAL UNLESS OTHERWISE SPECIFIED.
- 2. MATERIAL:  
 FACEPLATE - POLYCARBONATE MOLDING COMPOUND. SEE TABLE FOR COLORS.  
 SCREWS - ZINC PLATED CARBON STEEL.  
 LABEL COVER - POLYCARBONATE MOLDING COMPOUND, CLEAR.  
 LABEL - WHITE INDEX PAPER.
- 3. THIS KIT SHIPPED NOT ASSEMBLED.
- 4. MOLD OVER ICON FEATURE.



ALPINE WHITE	1-2111041-3
ELECTRIC IVORY	1-2111041-1
NEMA GRAY	2111041-4
WHITE	2111041-3
BLACK	2111041-2
LIGHT ALMOND	2111041-1
COLOR	PART NUMBER

THIS DRAWING IS A CONTROLLED DOCUMENT. DWN: G. GARRETT 31MAR2009  
 CHK: R. ASHBY 31MAR2009  
 APVD: P. ASHBY 31MAR2009

DIMENSIONS: MM [INCHES]		TOLERANCES UNLESS OTHERWISE SPECIFIED:	
0 PLC	±	1	±
1 PLC	±	2	±
2 PLC	±	3	±
3 PLC	±	4	±
4 PLC	±	5	±
ANGLES	±		

MATERIAL: FINISH:

NAME: KIT, FACEPLATE, COMMERCIAL, DOUBLE GANG, 6 PORT, KL SERIES  
 SIZE: A1 CAGE CODE: 2111041 DRAWING NO: 2111041  
 WEIGHT: - RESTRICTED TO: -  
 CUSTOMER DRAWING SCALE: 2:1 SHEET 1 OF 1 REV C