

4

3

2

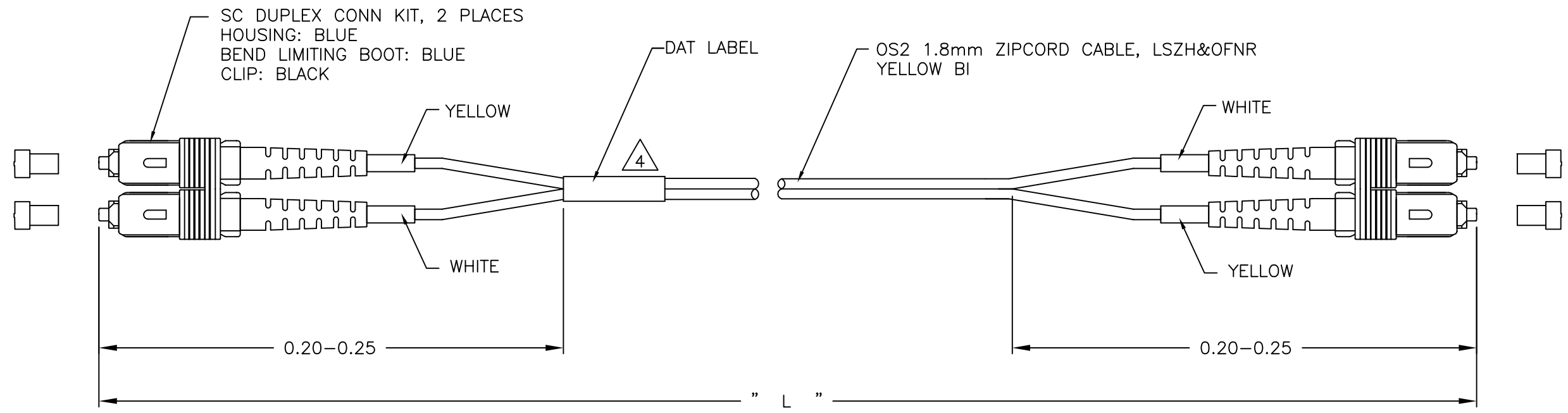
1

THIS DRAWING IS UNPUBLISHED. RELEASED FOR PUBLICATION

© 2016 Commscope, INC. Confidential NOTICE: These drawings and specifications are the proprietary property of COMMSCOPE, INC. and may be used only for the specific purpose authorized in writing by COMMSCOPE, INC.

REVISIONS				
P	LTR	DESCRIPTION	DATE	APVD
	C	40031648MCO	23JUN16	M.D G.W

PART NUMBER	"L" (METER)	TOLERANCE (METER)
X-2105092-Y	PER 1859590	ACC. TO CUSTOMER DRAWING 1859590



NOTES:

- 1 INSERTION LOSS <=0.5dB MEASURED AGAINST REF. CONN AT 1310 nm AND 1550 nm  
插损 <= 0.5dB.
- 2 RETURN LOSS >= 50dB MATEDAT 1310 nm AND 1550 nm  
回损 >= 50dB.
- 3 TEST DATA SHEET TO BE ENCLOSED WITH UNIT PACKAGE  
测试数据纸放入单个产品的包装中.
- 4 LABEL INFORMATION AS BELOW DETAIL.  
标签信息如图.

SC (LEFT)	SC (RIGHT)
YELLOW	WHITE
WHITE	YELLOW

XXXXXXXXXXXXXXXXXX

X-2105092-Y COO: China  
SC-SC DPX OS2 1.8mm LSZH&OFNR "L" M

THIS DRAWING IS A CONTROLLED DOCUMENT.		DWN	SHI BI YUN	19SEP10	<b>COMMSCOPE, INC.</b>		
		CHK	ALLEN GUMP	19SEP10			
DIMENSIONS: mm		TOLERANCES UNLESS OTHERWISE SPECIFIED:		APVD		NAME	
		0 PLC ± - 1 PLC ± - 2 PLC ± - 3 PLC ± - 4 PLC ± - ANGLES ± -		JESSE XU		SC TO SC 1.8mm OS2 DUPLEX, LSZH&OFNR	
				PRODUCT SPEC		-	
MATERIAL		FINISH		APPLICATION SPEC		RESTRICTED TO	
-		-		-		-	
CUSTOMER DRAWING				WEIGHT	-	SIZE	A3
				CAGE CODE		00779	DRAWING NO
				DRAWING NO		C-2105092	REVISION
				SCALE		NTS	SHEET 1 of 1
				REV		C	