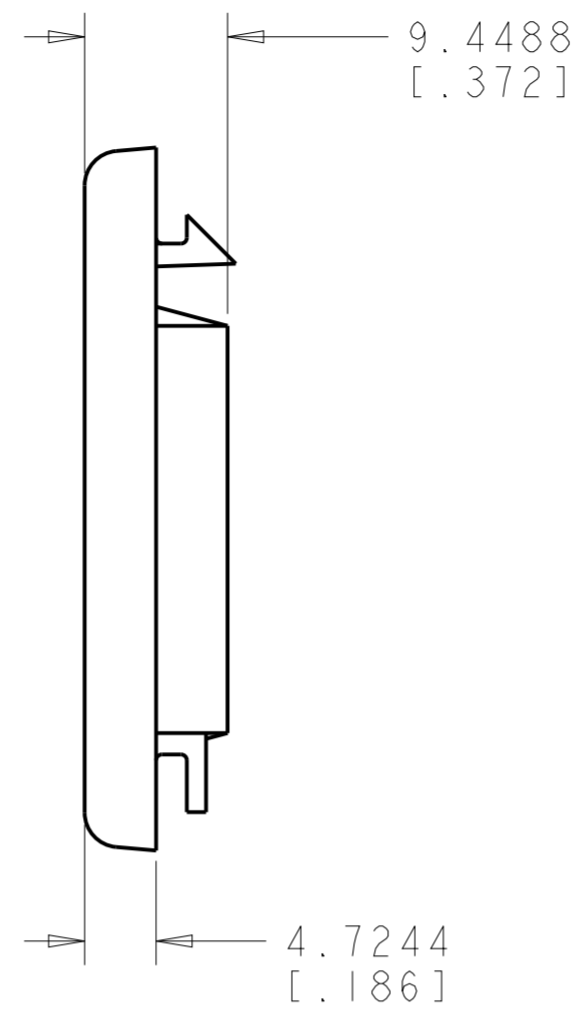
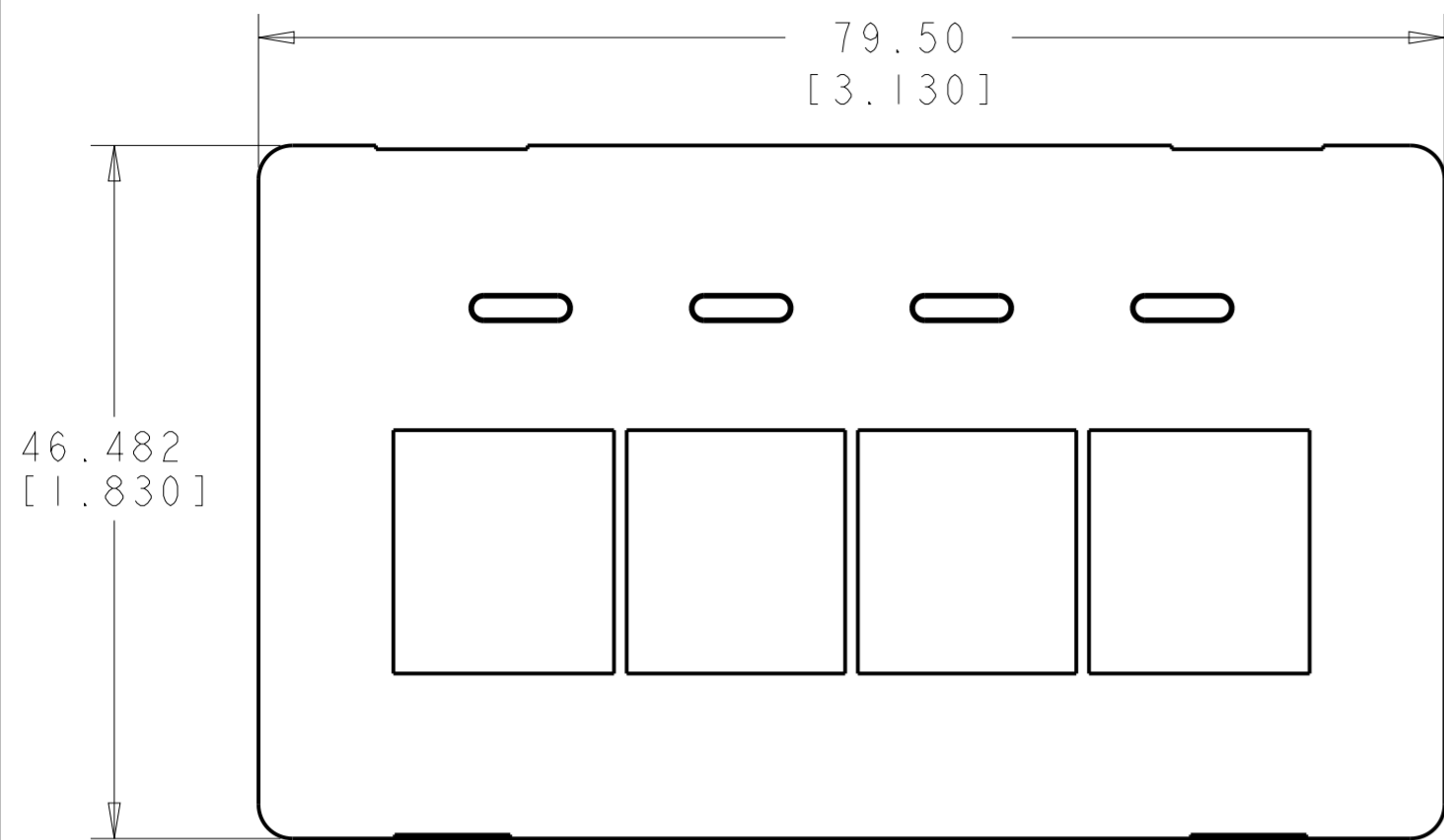
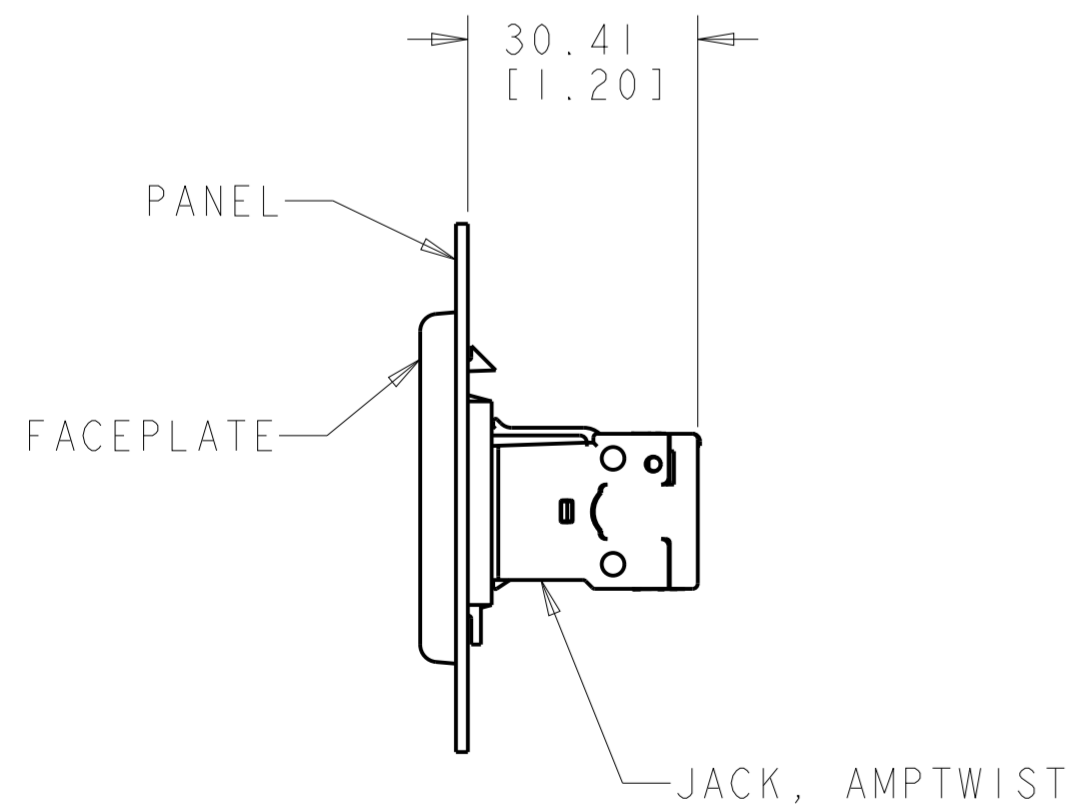
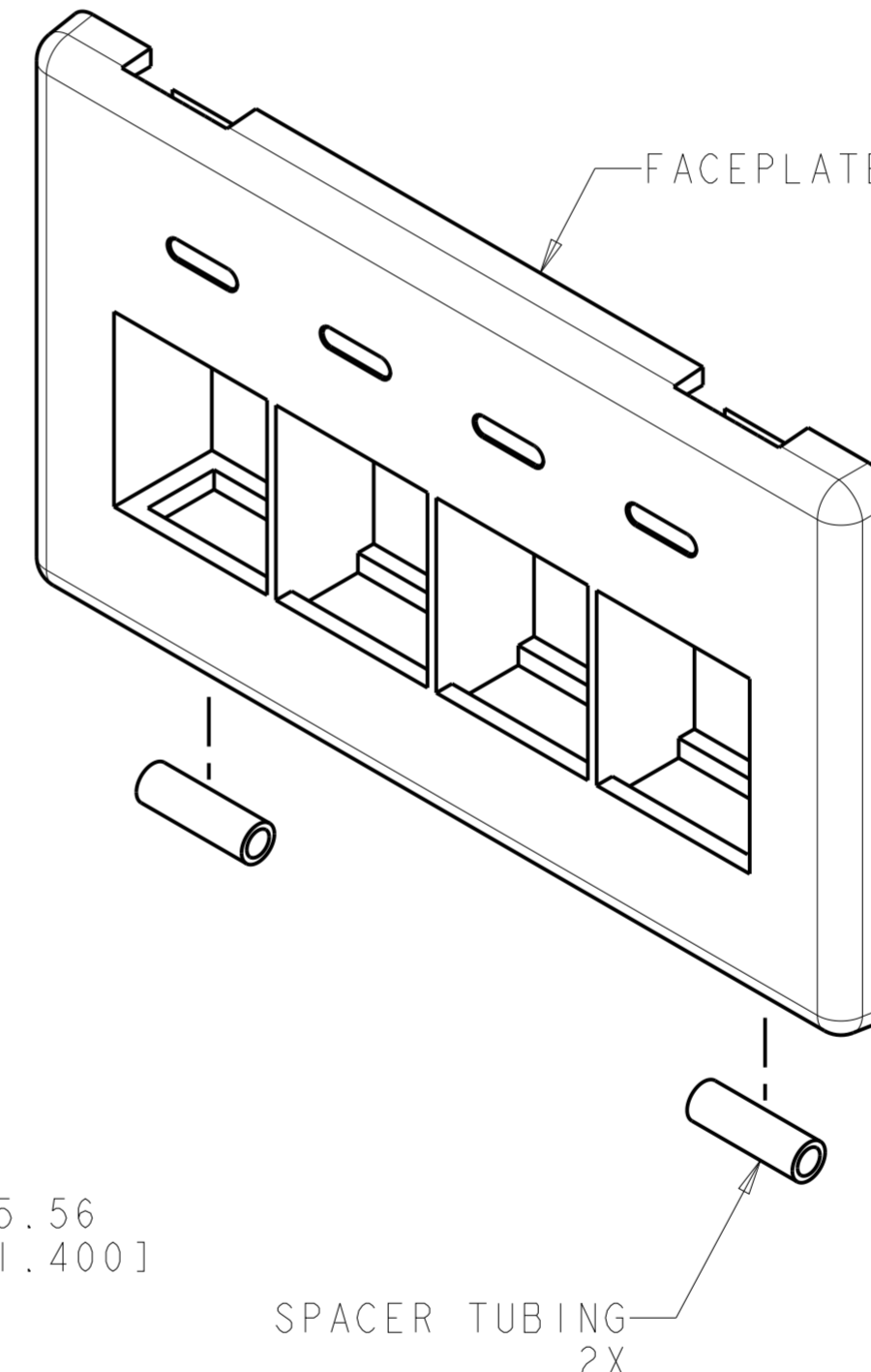


THIS DRAWING IS UNPUBLISHED. RELEASED FOR PUBLICATION
 © 2016 COMMSCOPE, INC. CONFIDENTIAL NOTICE: THESE DRAWINGS AND SPECIFICATIONS ARE THE PROPRIETARY PROPERTY OF COMMSCOPE, INC. AND MAY BE USED ONLY FOR THE SPECIFIC PURPOSE AUTHORIZED IN WRITING BY COMMSCOPE, INC.

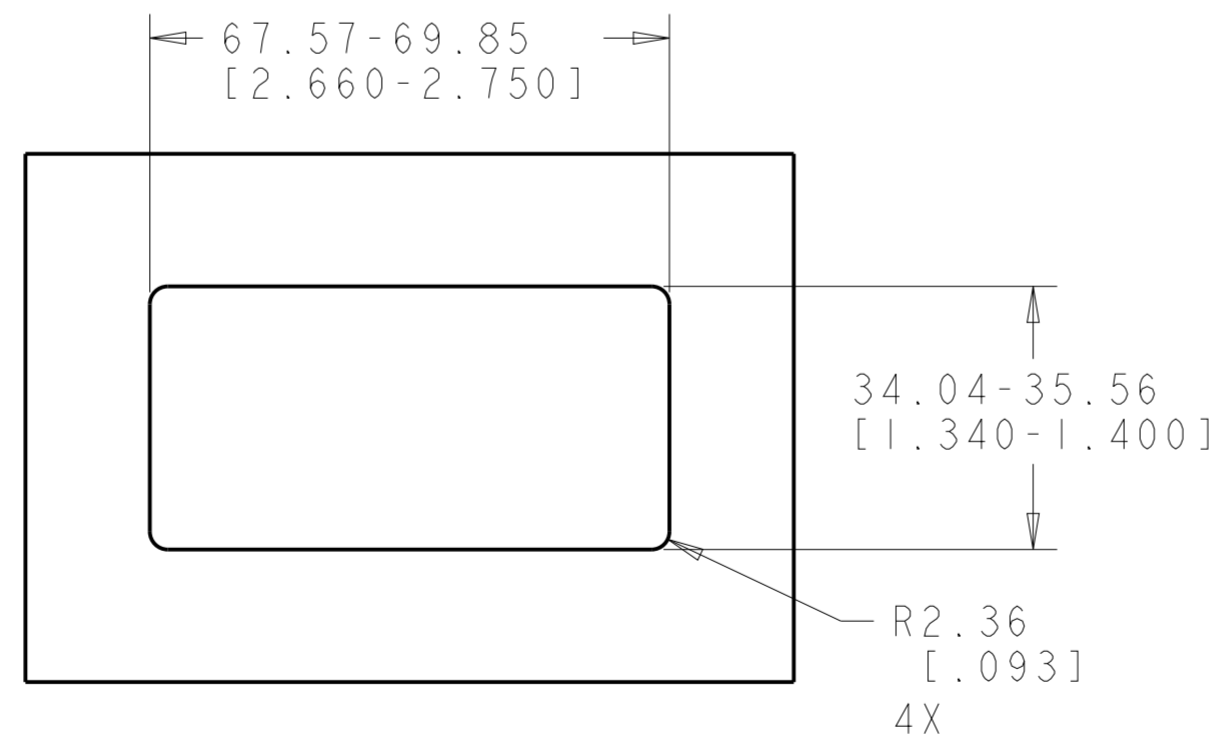
REVISIONS				
P	LTR	DESCRIPTION	DATE	APVD
B		ECO-14-010531	10JUL2014	JM SJ
C		REV; ECO-14-014877	02OCT2014	GG LS
D		REV PER BNS_CD_BRAND	07FEB2017	GG DC



- 1 MATERIAL: FACEPLATE- POLYCARBONATE MOLDING
SEE TABLE FOR COLORS.
SPACER TUBING- POLYOLEFIN, BLACK.
- 2 THIS FACEPLATE CAN BE INSTALLED INTO PANELS WHICH ARE 2.03 [.080] TO 1.14 [.045] THICK.
- 3 FACEPLATE WILL ACCEPT ANY COMBINATION OF FOUR SL SERIES JACKS OR INSERTS.
- 4 THIS KIT SHIPPED UNASSEMBLED.
- 5 DIMENSIONS ARE NOMINAL UNLESS OTHERWISE SPECIFIED.



SUGGESTED MOUNTING



RECOMMENDED PANEL CUTOUT

NEMA GRAY	1933134-4
LT ALMOND	1933134-2
BLACK	1933134-1
COLOR	PART NO

THIS DRAWING IS A CONTROLLED DOCUMENT.		DWN J MCNEAL 04SEP2007	COMMSCOPE, INC.	
DIMENSIONS: mm [INCHES]		CHK G BOWMAN 04SEP2007		
TOLERANCES UNLESS OTHERWISE SPECIFIED:		APVD G BOWMAN 04SEP2007	NAME FACEPLATE KIT, 4 PORT, SL SERIES, FLUSH MOUNT, FLEXMODE	
0 PLC ±	1 PLC ±	PRODUCT SPEC -	SIZE A2	CAGE CODE C-1933134
2 PLC ±	3 PLC ±	APPLICATION SPEC -	SCALE 2:1	SHEET OF 1
4 PLC ±	ANGLES ±	WEIGHT -	RESTRICTED TO -	REV D
MATERIAL	FINISH	Customer Drawing		