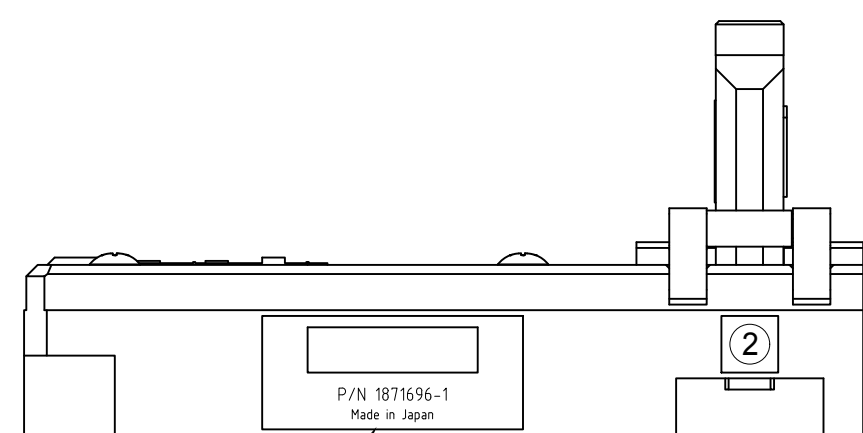
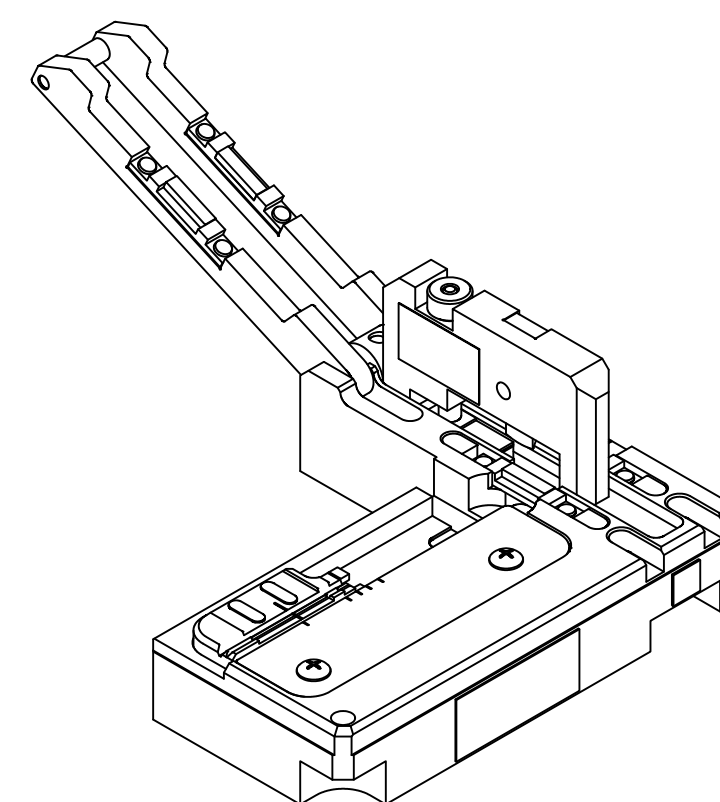
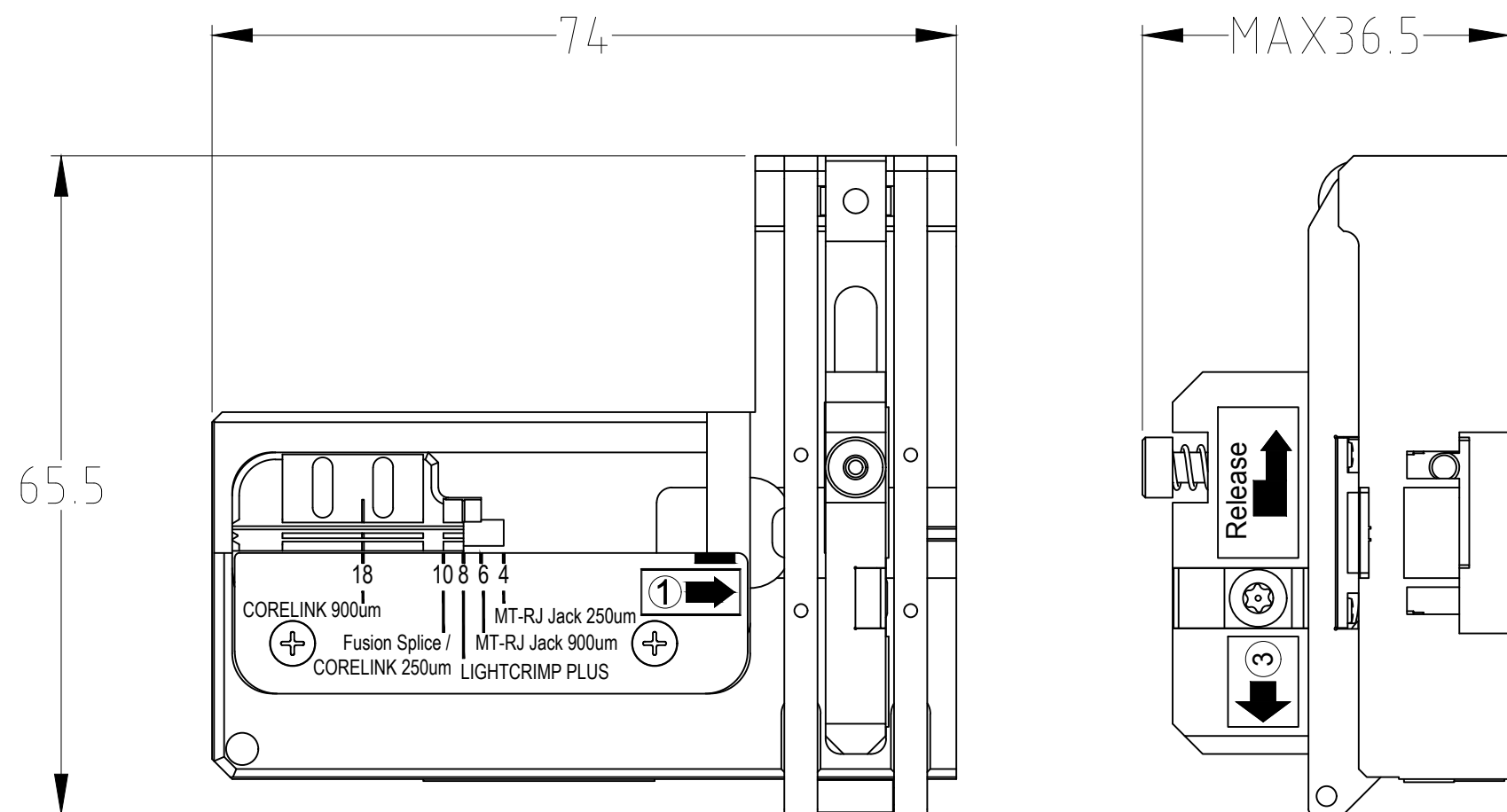


| LOC | DIST | REVISIONS | | | | |
|-----|------|----------------------|---------|-----|------|--|
| P | LTR | DESCRIPTION | DATE | DWN | APVD | |
| | C | REVISE ECR-06-022150 | 26SEP06 | S.K | T.H | |
| | D | REVISE ECR-07-005111 | 8MAR07 | S.K | T.H | |
| | E | REVISE ECR-11-018726 | 11SEP11 | S.K | T.H | |
| | F | REBRANDING | 16JAN17 | | | |

SHOWN: -1



- 1. ATTACHED A FABRIC BAG AND A STRAP
- 2. WEIGHT OF -1: 152g

LABEL

| FIBER CLEAVER WITH JACKET HOLDER | 1871696-5 |
|------------------------------------|-----------|
| FIBER CLEAVER, 8mm MARK | 1871696-4 |
| FIBER CLEAVER JACKETED CABLE | 1871696-3 |
| FIBER CLEAVER WITH FIBER SCRAP BOX | 1871696-2 |
| FIBER CLEAVER | 1871696-1 |
| DESCRIPTION | PART NO |

| | | | | | | | | | | | | | | | | | | | |
|---|---|-------------------------------|------------------------|--------------------|-------------------------|-------|---|-------|---|-------|---|--------|---|--------|--|--------------|---------------|--|--|
| THIS DRAWING IS A CONTROLLED DOCUMENT. | | DWN S.KOBAYASHI 07JUL05 | COMMSCOPE, INC. | | | | | | | | | | | | | | | | |
| DIMENSIONS: INCHES | | CHK T.HAYASHI 07JUL05 | | | | | | | | | | | | | | | | | |
| TOLERANCES UNLESS OTHERWISE SPECIFIED: | | APVD T.HAYASHI 07JUL05 | NAME FIBER CLEAVER | | | | | | | | | | | | | | | | |
| <table border="1"> <tbody> <tr><td>0 PLC</td><td>±</td></tr> <tr><td>1 PLC</td><td>±</td></tr> <tr><td>2 PLC</td><td>±</td></tr> <tr><td>3 PLC</td><td>±</td></tr> <tr><td>4 PLC</td><td>±</td></tr> <tr><td>ANGLES</td><td>±</td></tr> <tr><td>FINISH</td><td></td></tr> </tbody> </table> | | 0 PLC | ± | 1 PLC | ± | 2 PLC | ± | 3 PLC | ± | 4 PLC | ± | ANGLES | ± | FINISH | | PRODUCT SPEC | RESTRICTED TO | | |
| 0 PLC | ± | | | | | | | | | | | | | | | | | | |
| 1 PLC | ± | | | | | | | | | | | | | | | | | | |
| 2 PLC | ± | | | | | | | | | | | | | | | | | | |
| 3 PLC | ± | | | | | | | | | | | | | | | | | | |
| 4 PLC | ± | | | | | | | | | | | | | | | | | | |
| ANGLES | ± | | | | | | | | | | | | | | | | | | |
| FINISH | | | | | | | | | | | | | | | | | | | |
| MATERIAL | | APPLICATION SPEC | SIZE A2 | CAGE CODE 00779 | DRAWING NO C=1871696 | | | | | | | | | | | | | | |
| CUSTOMER DRAWING | | | SCALE NTS | SHEET 1 of 5 | REV F | | | | | | | | | | | | | | |

1871696

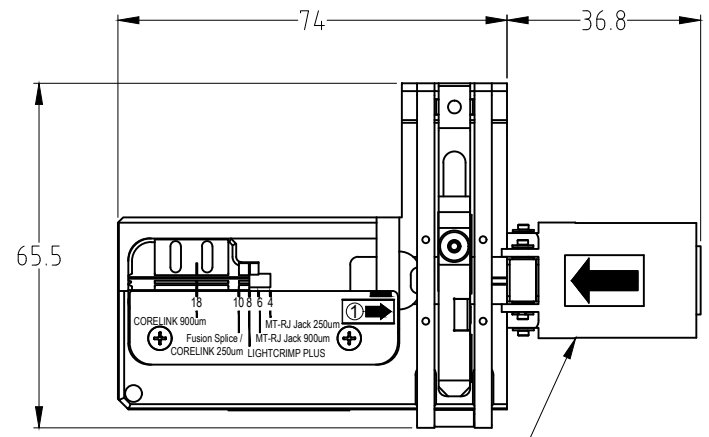
B

A

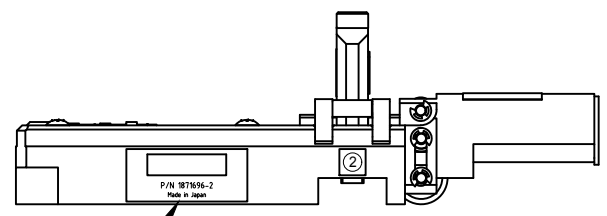
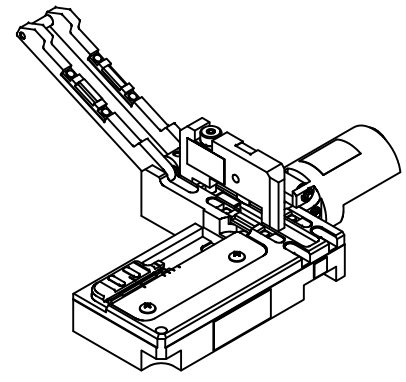
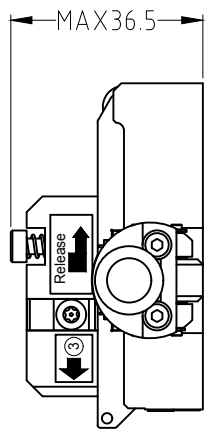
THIS DRAWING IS UNPUBLISHED. RELEASED FOR PUBLICATION . . . JULY 7
 © 2016 CommScope, Inc. Confidential

| LOC | DIST | REVISIONS | | | |
|-----|------|-------------|------|-----|------|
| P | LTR | DESCRIPTION | DATE | DRN | APVD |
| | | SEE SHEET 1 | | | |

SHOWN: -2



FIBER SCRAP BOX



LABEL

P/N 1871696-2
Made in Japan

| | | | | | | | | | | | | | | | | | | | | |
|---|-----|--------------------------------|------------------------|--------------------|-----------------------|-----|---|---|-----|---|---|-----|---|---|-----|---|--------------|---------------|--|--|
| THIS DRAWING IS A CONTROLLED DOCUMENT. | | DRN S.KOBAYASHI 07A.JLOS | COMMSCOPE, INC. | | | | | | | | | | | | | | | | | |
| DIMENSIONS: INCHES | | DR T.HAYASHI 07A.JLOS | | | | | | | | | | | | | | | | | | |
| TOLERANCES UNLESS OTHERWISE SPECIFIED: | | APVD T.HAYASHI 07A.JLOS | NAME FIBER CLEAVER | | | | | | | | | | | | | | | | | |
| <table border="1"> <tr><td>0</td><td>PLC</td><td>±</td></tr> <tr><td>1</td><td>PLC</td><td>±</td></tr> <tr><td>2</td><td>PLC</td><td>±</td></tr> <tr><td>3</td><td>PLC</td><td>±</td></tr> <tr><td>4</td><td>PLC</td><td>±</td></tr> </table> | | 0 | PLC | ± | 1 | PLC | ± | 2 | PLC | ± | 3 | PLC | ± | 4 | PLC | ± | PRODUCT SPEC | RESTRICTED TO | | |
| 0 | PLC | ± | | | | | | | | | | | | | | | | | | |
| 1 | PLC | ± | | | | | | | | | | | | | | | | | | |
| 2 | PLC | ± | | | | | | | | | | | | | | | | | | |
| 3 | PLC | ± | | | | | | | | | | | | | | | | | | |
| 4 | PLC | ± | | | | | | | | | | | | | | | | | | |
| MATERIAL | | APPLICATION SPEC | SIZE A2 | CAGE CODE 00779 | DRAWING NO 1871696 | | | | | | | | | | | | | | | |
| FINISH | | WEIGHT | SCALE NTS | | SHEET 2 of 5 | | | | | | | | | | | | | | | |
| CUSTOMER DRAWING | | | REV F | | | | | | | | | | | | | | | | | |

1871696

4

3

2

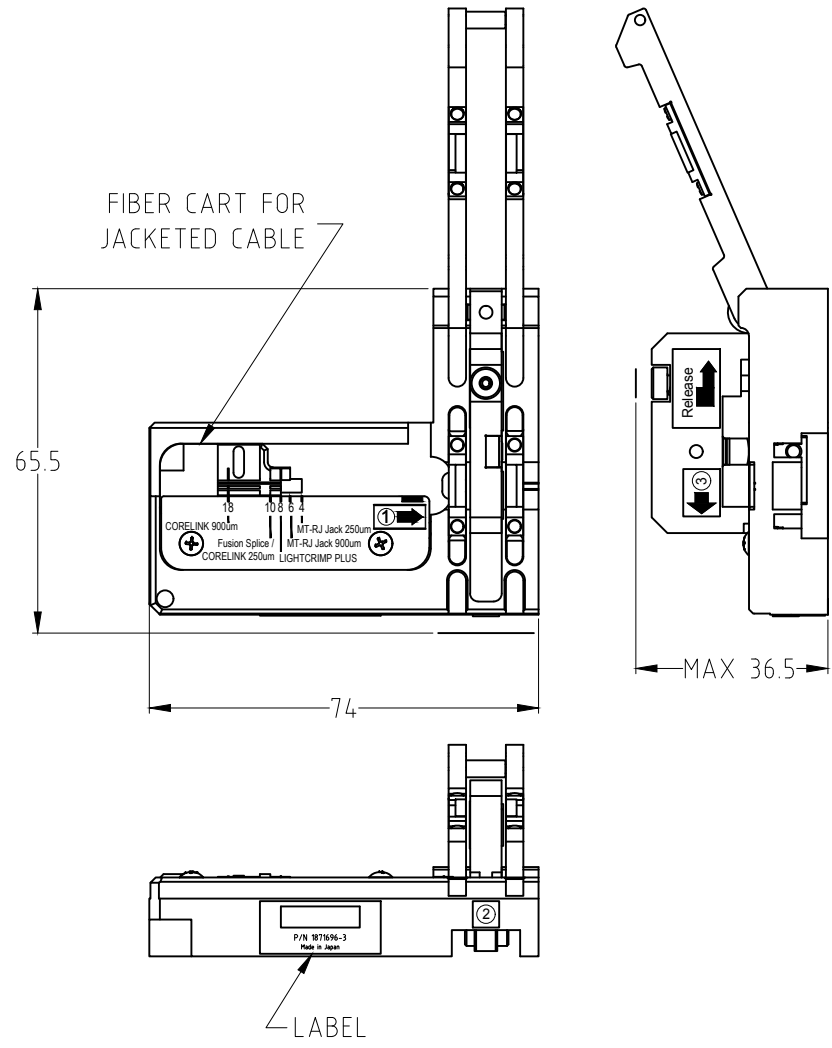
1

THIS DRAWING IS UNPUBLISHED. RELEASED FOR PUBLICATION . . . JULY 7
 © 2016 CommScope, Inc. Confidential

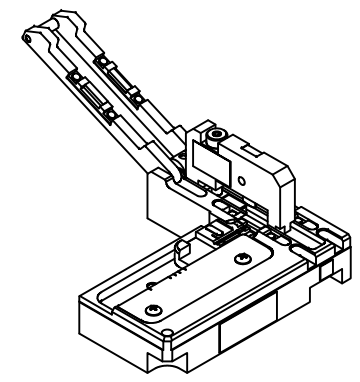
| LOC | DIST | REVISIONS | | | |
|-----|------|-------------|------|-----|------|
| P | LR | DESCRIPTION | DATE | DRN | APVD |
| | | SEE SHEET 1 | | | |

D
C
B
A

D
C
B
A



SHOWN: -3



| | | | | | |
|---|--------|--------------------------------|--------------------|--------------------|-------------------------|
| THIS DRAWING IS A CONTROLLED DOCUMENT. | | DRN S. KOBAYASHI 07AUL05 | COMMSCOPE, INC. | | |
| DIMENSIONS: INCHES | | CHK T. HAYASHI 07AUL05 | NAME T. HAYASHI | | |
| TOLERANCES UNLESS OTHERWISE SPECIFIED: | | APVD T. HAYASHI 07AUL05 | PRODUCT SPEC | | |
| <ul style="list-style-type: none"> 0 PLC ± 1 PLC ± 2 PLC ± 3 PLC ± 4 PLC ± ANGLES ± | | APPLICATION SPEC | | RESTRICTED TO | |
| MATERIAL | FINISH | WEIGHT | SIZE A2 | CAGE CODE 00779 | DRAWING NO C=1871696 |
| CUSTOMER DRAWING | | | SCALE NTS | SHEET 3 of 5 | REV F |

1871696

4

3

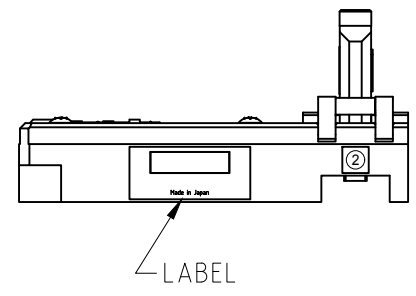
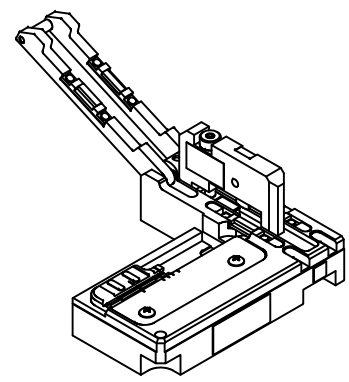
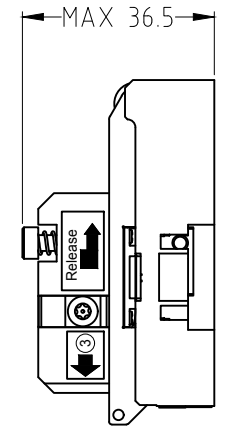
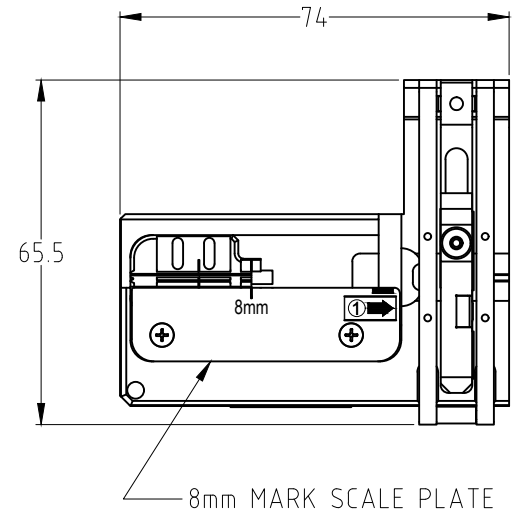
2

1

THIS DRAWING IS UNPUBLISHED. RELEASED FOR PUBLICATION . . . JULY 7
 © 2016 CommScope, Inc. Confidential

| LOC | DIST | REVISIONS | | | |
|-----|------|-------------|------|-----|------|
| P | LTR | DESCRIPTION | DATE | DRN | APVD |
| | | SEE SHEET 1 | | | |

SHOWN: -4



1871696

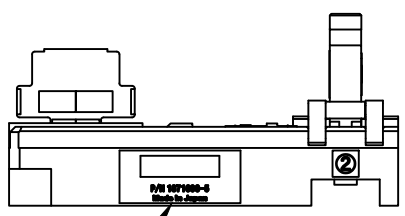
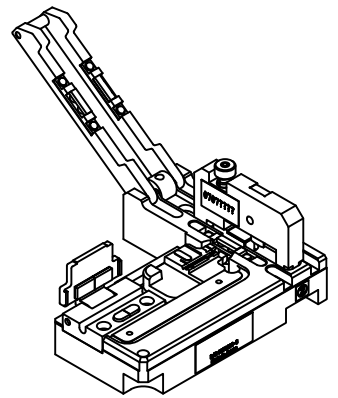
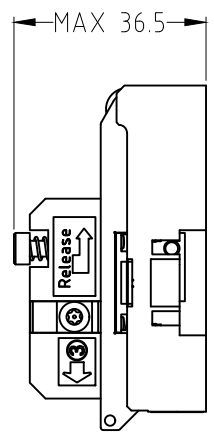
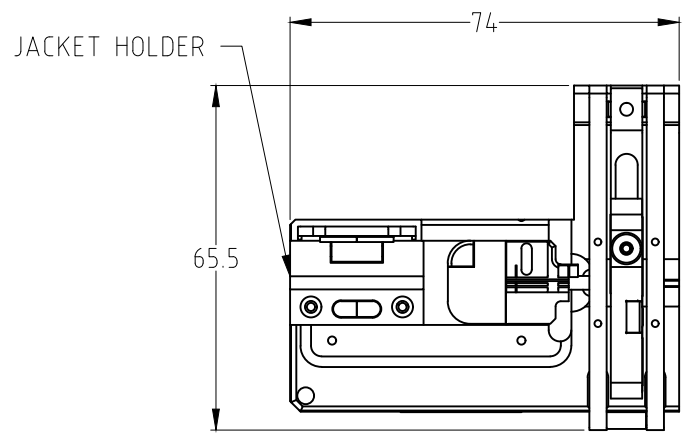
| | | | | | |
|--|--|--------------------------------|-----------------------|--|--|
| THIS DRAWING IS A CONTROLLED DOCUMENT. | | DRN S. KOBAYASHI 07AUL05 | COMMSCOPE, INC. | | |
| DIMENSIONS: | | CHK T. HAYASHI 07AUL05 | NAME FIBER CLEAVER | | |
| INCHES | | APVD T. HAYASHI 07AUL05 | PRODUCT SPEC | | |
| TOLERANCES UNLESS OTHERWISE SPECIFIED: | | APPLICATION SPEC | | | |
| 0 PLC ± | | SIZE CAGE CODE DRAWING NO | | | |
| 1 PLC ± | | A2 00779 C-1871696 | | | |
| 2 PLC ± | | RESTRICTED TO | | | |
| 3 PLC ± | | CUSTOMER DRAWING | | | |
| 4 PLC ± | | SCALE NTS SHEET 4 of 5 REV F | | | |
| ANGLES ± | | | | | |
| FINISH | | | | | |
| MATERIAL | | | | | |
| WEIGHT | | | | | |

4 | 3 | 2 | 1

THIS DRAWING IS UNPUBLISHED. RELEASED FOR PUBLICATION . . . JULY 7
 © 2016 CommScope, Inc. Confidential

| LOC | DIST | REVISIONS | | | |
|-----|------|-------------|------|-----|------|
| P | LTR | DESCRIPTION | DATE | DRN | APVD |
| | | SEE SHEET 1 | | | |

SHOWN: -5



LABEL

1871696

| | | | | | | | | | | | | | | | | | | | | | | | | | | | |
|--|-----|--------------------------------|------------------------|---|-----------------|----------|---|---|-----|---|---|-----|---|---|-----|---|--------|--|---|--------|--|--|--------------|------------|--------------------|-----------------------|---------------|
| THIS DRAWING IS A CONTROLLED DOCUMENT. | | DRN S.KOBAYASHI 07A.JL05 | COMMSCOPE, INC. | | | | | | | | | | | | | | | | | | | | | | | | |
| DIMENSIONS: INCHES | | DR T.HAYASHI 07A.JL05 | | | | | | | | | | | | | | | | | | | | | | | | | |
| TOLERANCES UNLESS OTHERWISE SPECIFIED: | | APVD T.HAYASHI 07A.JL05 | NAME FIBER CLEAVER | | | | | | | | | | | | | | | | | | | | | | | | |
| <table border="1"> <tr><td>0</td><td>PLC</td><td>±</td></tr> <tr><td>1</td><td>PLC</td><td>±</td></tr> <tr><td>2</td><td>PLC</td><td>±</td></tr> <tr><td>3</td><td>PLC</td><td>±</td></tr> <tr><td>4</td><td>PLC</td><td>±</td></tr> <tr><td colspan="2">ANGLES</td><td>±</td></tr> <tr><td colspan="2">FINISH</td><td></td></tr> </table> | | 0 | PLC | ± | 1 | PLC | ± | 2 | PLC | ± | 3 | PLC | ± | 4 | PLC | ± | ANGLES | | ± | FINISH | | | PRODUCT SPEC | SIZE A2 | CAGE CODE 00779 | DRAWING NO 1871696 | RESTRICTED TO |
| 0 | PLC | ± | | | | | | | | | | | | | | | | | | | | | | | | | |
| 1 | PLC | ± | | | | | | | | | | | | | | | | | | | | | | | | | |
| 2 | PLC | ± | | | | | | | | | | | | | | | | | | | | | | | | | |
| 3 | PLC | ± | | | | | | | | | | | | | | | | | | | | | | | | | |
| 4 | PLC | ± | | | | | | | | | | | | | | | | | | | | | | | | | |
| ANGLES | | ± | | | | | | | | | | | | | | | | | | | | | | | | | |
| FINISH | | | | | | | | | | | | | | | | | | | | | | | | | | | |
| MATERIAL | | APPLICATION SPEC | SCALE NTS | | SHEET 5 of 5 | REV F | | | | | | | | | | | | | | | | | | | | | |
| | | WEIGHT | CUSTOMER DRAWING | | | | | | | | | | | | | | | | | | | | | | | | |