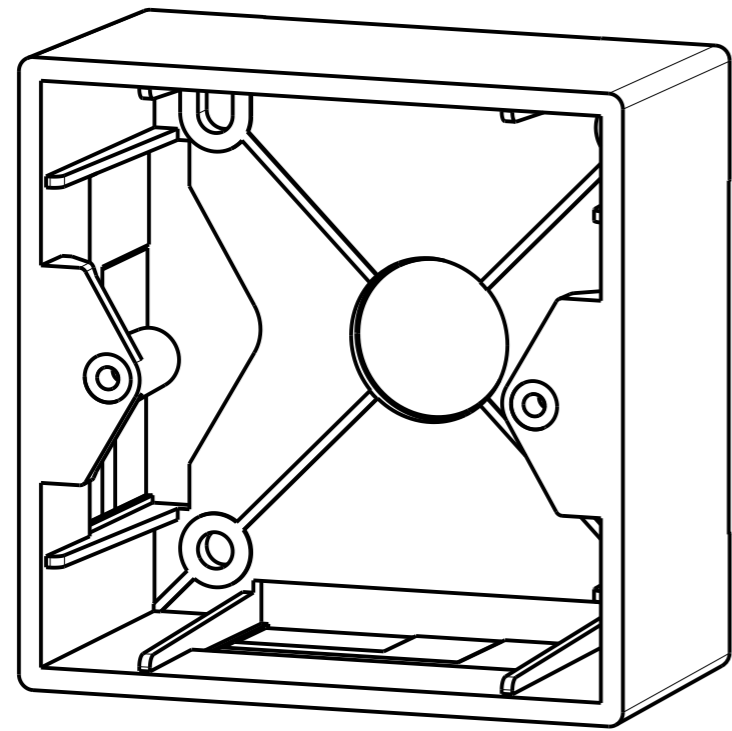
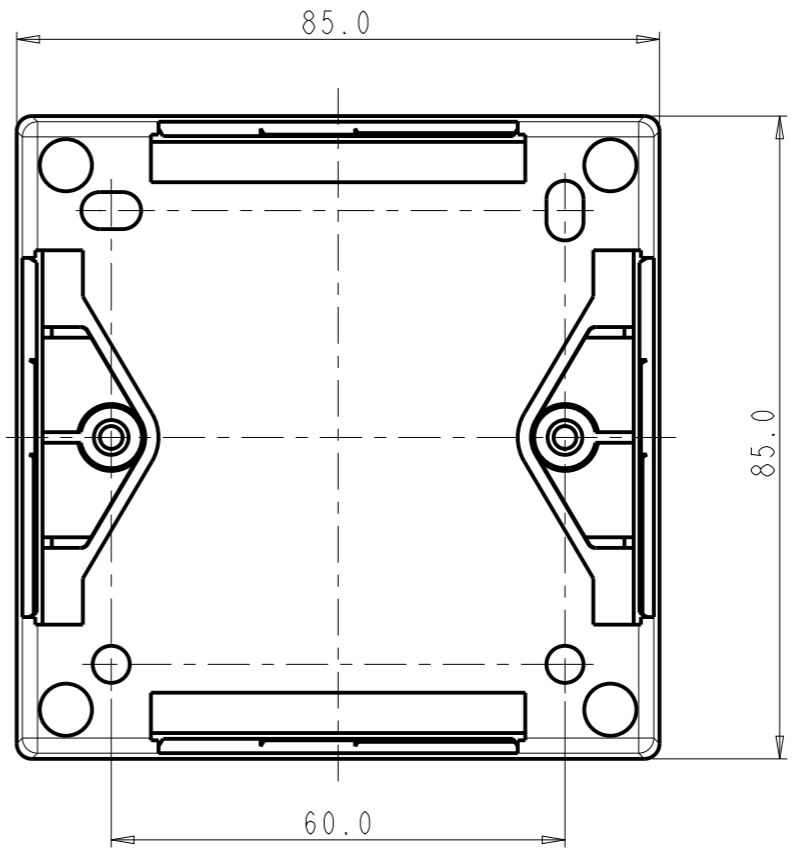
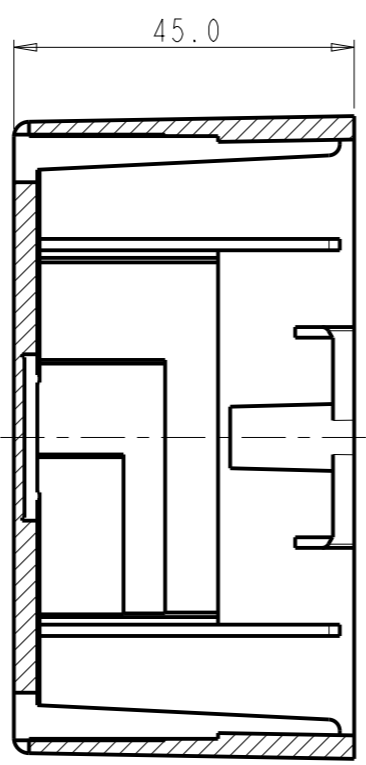
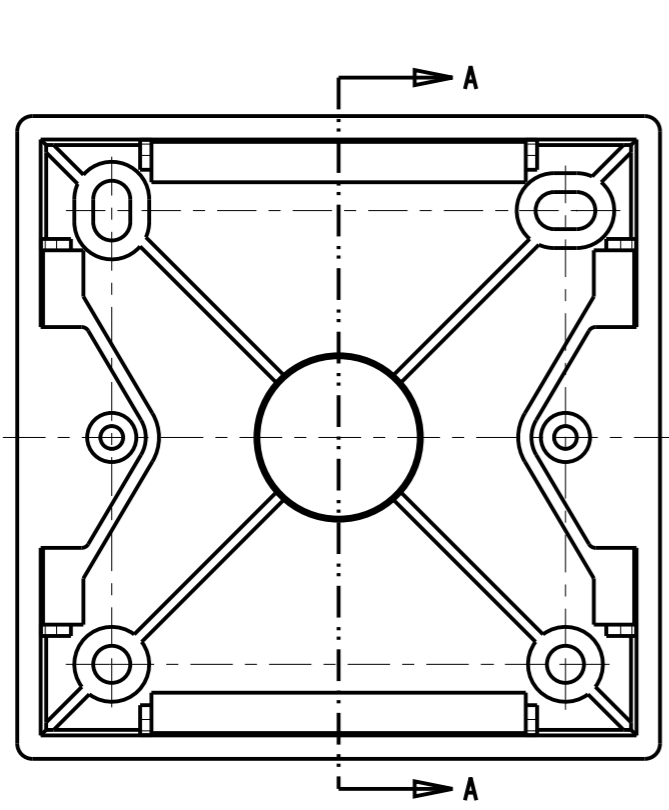


THIS DRAWING IS UNPUBLISHED.      RELEASED FOR PUBLICATION

© 2016 COMMSCOPE, INC. CONFIDENTIAL      NOTICE: THESE DRAWINGS AND SPECIFICATIONS ARE THE PROPRIETARY PROPERTY OF COMMSCOPE, INC. AND MAY BE USED ONLY FOR THE SPECIFIC PURPOSE AUTHORIZED IN WRITING BY COMMSCOPE, INC.

REVISIONS					
P	LTR	DESCRIPTION	DATE	DWN	APVD
	A	RELEASED	25MAR2008	L.C.	J.S.
	A1	COLOUR DESCRIPTION CORRECTED	18JUN2009	L.C.	J.S.
	B	REV PER BNS_CD_BRAND	07FEB2017	GG	DC



- 1. MATERIAL: BOX ABS FLAME RETARDANT  
SCREW NUTS MILD STEEL 1018, COATING Zn(+3)
- 2. PLASTIC COLOUR: WHITE RAL 9003
- 3. PRODUCT ACCORDING TO ENVIRONMENTAL SPEC. 230-702

**PART NUMBER 185705-1 AS SHOWN**

THIS DRAWING IS A CONTROLLED DOCUMENT.		DWN L. COBACHO 07MAR2008	<b>COMMSCOPE, INC.</b>  1 GANG SQ CORNER 44mm CTR. ENTR.			
DIMENSIONS: mm		CHK A. CARRERAS 07MAR2008				NAME
TOLERANCES UNLESS OTHERWISE SPECIFIED:		APVD J. SANABRA 07MAR2008				SIZE
0 PLC ±- 1 PLC ±0.1 2 PLC ±- 3 PLC ±- 4 PLC ±- ANGLES ±-		PRODUCT SPEC				CAGE CODE
MATERIAL		FINISH	DRAWING NO	RESTRICTED TO		
			A3	185705		
			CUSTOMER DRAWING	SCALE		
				SHEET OF REV B		