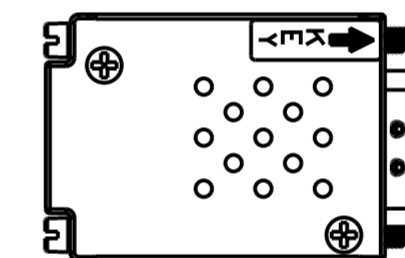
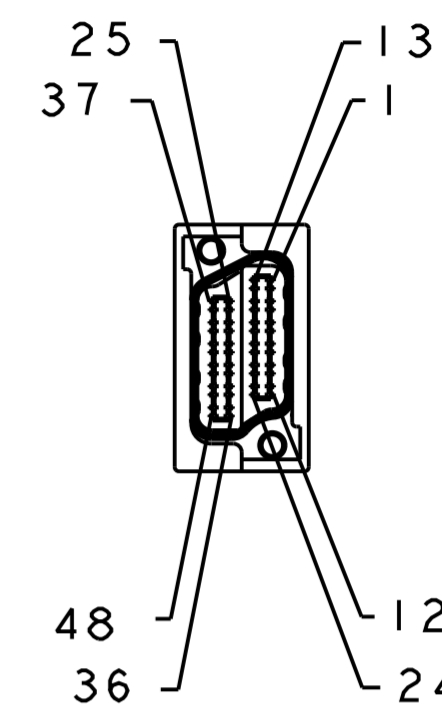
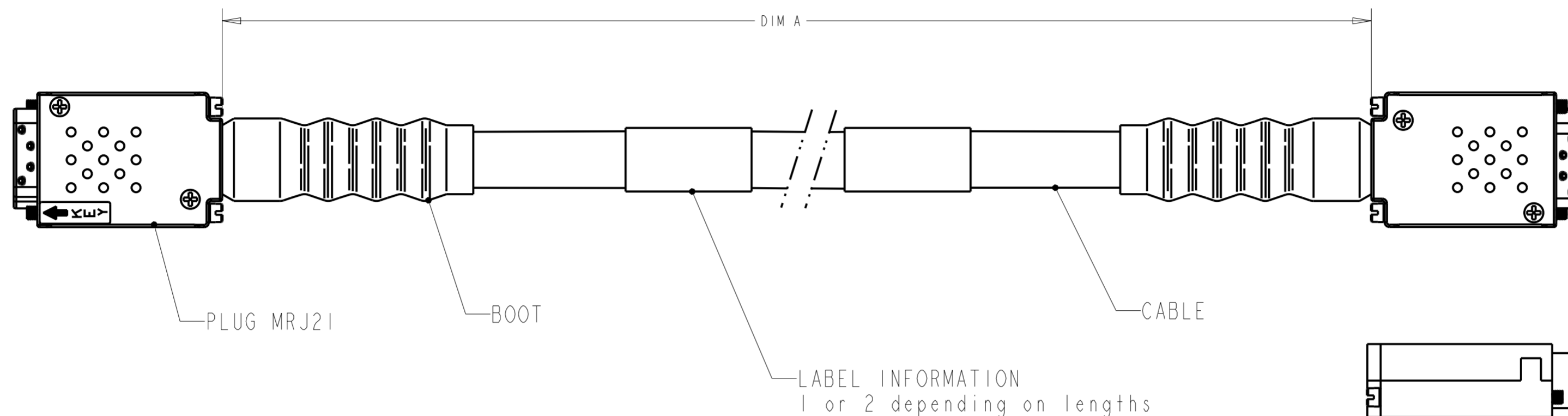
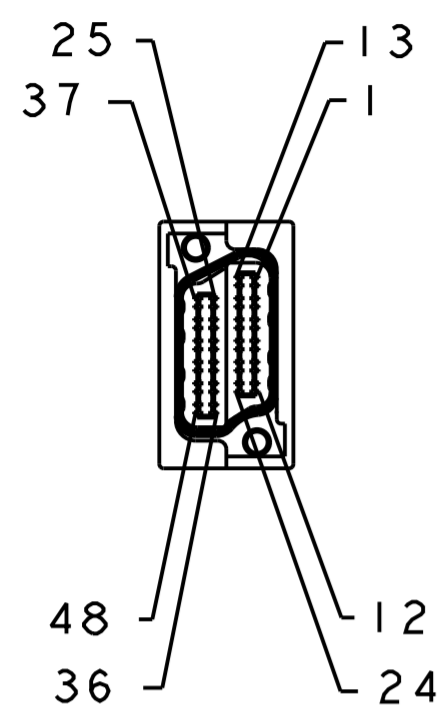


RELEASED FOR PUBLICATION
 © 2016 COMMSCOPE, INC. CONFIDENTIAL
 NOTICE: THESE DRAWINGS AND SPECIFICATIONS ARE THE PROPRIETARY PROPERTY OF COMMSCOPE, INC. AND MAY BE USED ONLY FOR THE SPECIFIC PURPOSE AUTHORIZED IN WRITING BY COMMSCOPE, INC.

REVISIONS					
P	LTR	DESCRIPTION	DATE	DWN	APVD
B		Redrawn	06oct2014	LD	JS
C		REV PER BNS_CD_BRAND	03FEB2017	GG	DC



- 1. 100% TESTED
- 2. FOR AVAILABLE DASH LENGTHS, DIM A, SEE THE COMMSCOPE CATALOGUE.

THIS DRAWING IS A CONTROLLED DOCUMENT.		DWN L. de Dios 06oct2014	COMMSCOPE, INC.		
DIMENSIONS: mm		CHK A. Martinez 06oct2014			
TOLERANCES UNLESS OTHERWISE SPECIFIED:		APVD J. Sanabria 06oct2014	NAME CABLE ASSEMBLY MRJ21 1G U/F/UTP LSZH SOLID WHITE		
0 PLC ± 1 PLC ± 2 PLC ± 3 PLC ± 4 PLC ± ANGLES ± FINISH		PRODUCT SPEC 108-2235	SIZE A2	CAGE CODE -	DRAWING NO. C-1711758
MATERIAL -		WEIGHT -	RESTRICTED TO -	SCALE -	SHEET OF 1
CUSTOMER DRAWING			REV C		