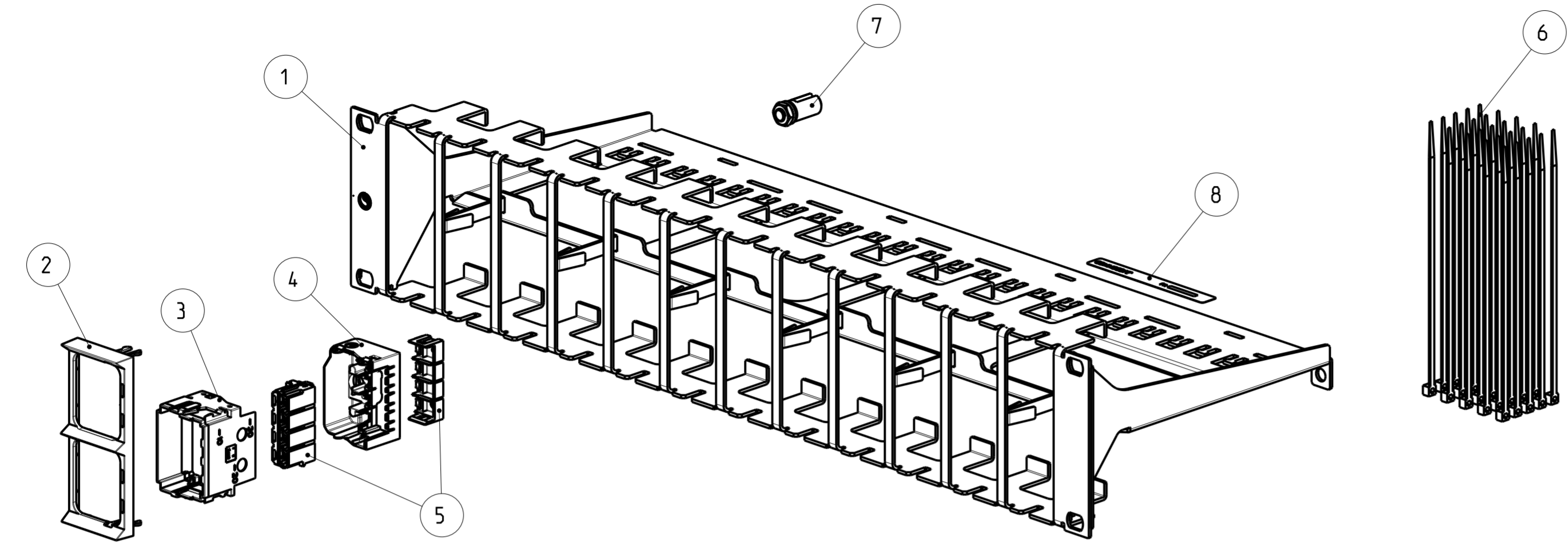


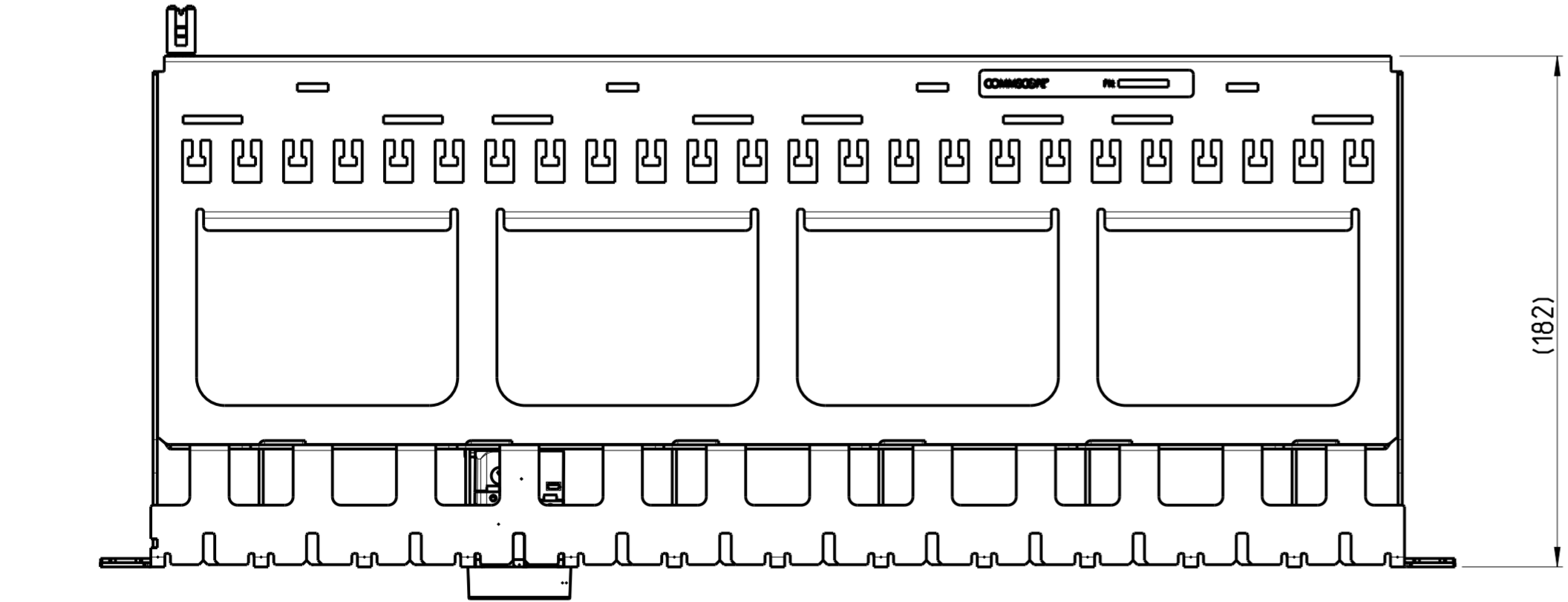
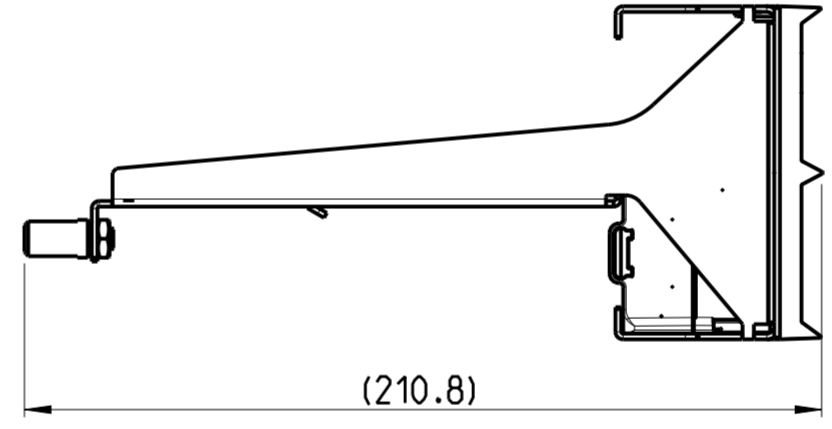
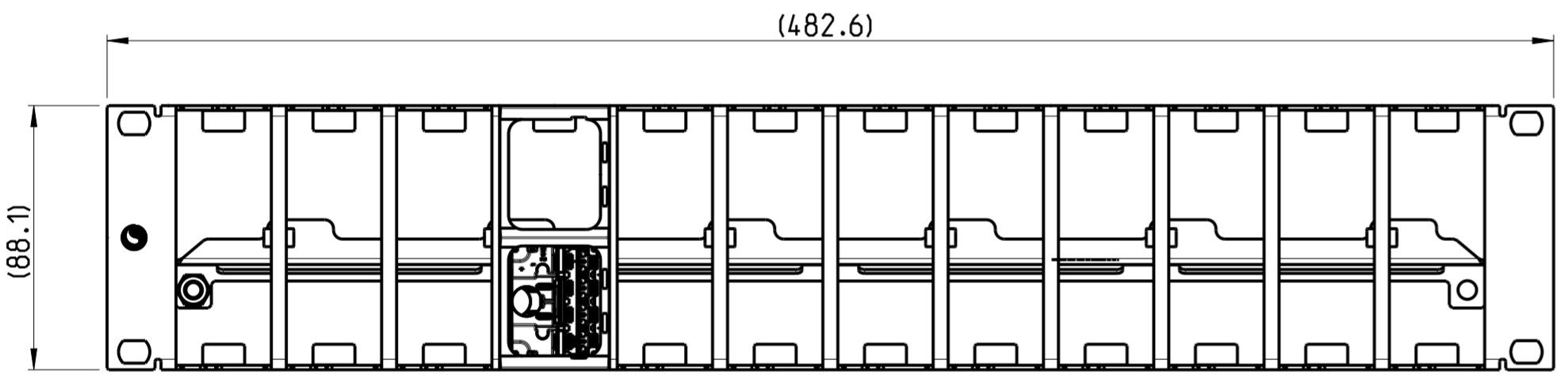
THIS DRAWING IS UNPUBLISHED  
 RELEASED FOR PUBLICATION 2013  
 © 2016 COMMSCOPE INC. CONFIDENTIAL  
 NOTICE: THESE DRAWINGS AND SPECIFICATIONS ARE THE PROPRIETARY PROPERTY OF COMMSCOPE, INC. AND MAY BE USED ONLY FOR THE SPECIFIC PURPOSE AUTHORIZED IN WRITING BY COMMSCOPE, INC.

REVISIONS				
P	LTR	DESCRIPTION	DATE	APVD
E		SEE ECR-13-015498	09OCT2013	LC JS
F		REV PER ECN 8000017286	16NOV2016	GG AS



REQUIRED TOOL FOR TERMINATION (NOT INCLUDED IN PANEL KIT)	
DESCRIPTION	PART NUMBER
PISTOL-GRIP TOOL	1711500-1
ADAPTER FOR AMP CO	1711784-1
ALTERNATIVE TOOL: IMPACT TOOL	1375308-1 1583608-1

ACCESSORY PARTS (NOT INCLUDED IN PANEL KIT)	
DESCRIPTION	PART NUMBER
AMP CO INSERTS	SEE CATALOGUE
HI-D CARE CLIPS	1671131-1
LABELS FOR AMP CO DUAL INSERTS	2-0101021-X
IDENTIFICATION ICONS	Y-0558176-X Y-0558198-X Y-0558199-X Y-0558821-X Y-1375092-X



- 1. PACKAGING ACC. TO COMMSCOPE SPEC.
- 2. ITEMS SHIPPED NOT ASSEMBLED

QTY	DESCRIPTION	ITEM
1	APPLICATION SPEC.	9
1	PN LABEL	8
1	GROUNDING SCREW	7
1	CABLE TIES	6
24	SHIELDED EDGE CONNECTOR	5
24	REAR SUB-ASSY. MODULE	4
24	FRONT HOUSING. MODULE	3
12	FACEPLATE, BLACK	2
-	FACEPLATE, ALMOND	
1	PATCH PANEL 24 PORTS, BLACK	1
-	PATCH PANEL 24 PORTS, GREY	
-3		-1

THIS DRAWING IS A CONTROLLED DOCUMENT.		DWN L. COBACHO 05MAY2009	<b>COMMSCOPE, INC.</b>	
		CHK J. GATNAU 05MAY2009		
		APVD J. SANABRA 05MAY2009	NAME AMP CO ULTRA 24 PORT HIGH DENSITY PATCH PANEL	
DIMENSIONS: mm		PRODUCT SPEC 108-93037	SIZE A2	
TOLERANCES UNLESS OTHERWISE SPECIFIED:		APPLICATION SPEC 114-93015	CAGE CODE -	
0 PLC ±		WEIGHT -	DRAWING NO C-1711686	
1 PLC ±		Customer Drawing	RESTRICTED TO -	
2 PLC ±			SCALE 1:2	
3 PLC ±			SHEET 1 OF 1	
4 PLC ±			REV F	
ANGLES ±				
FINISH -				