

THIS DRAWING IS UNPUBLISHED.

© 2016 COMMSCOPE, INC. CONFIDENTIAL

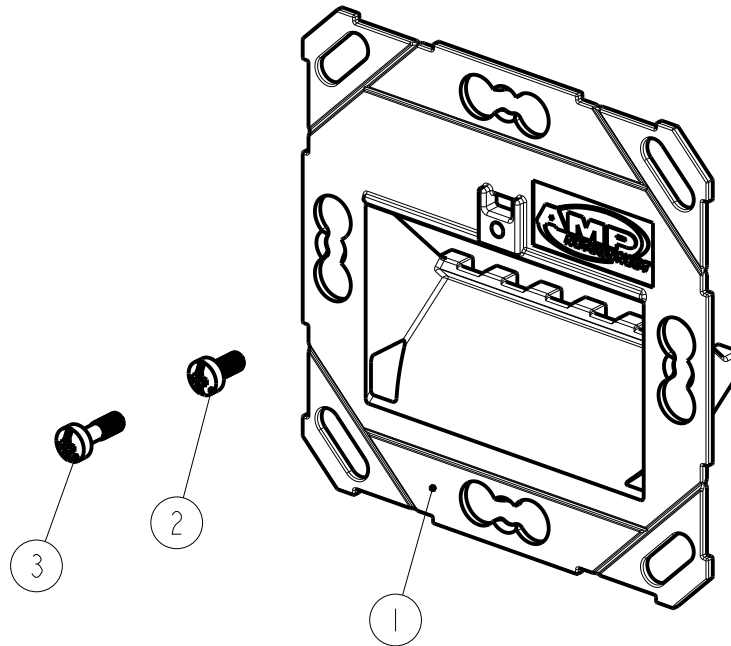
NOTICE: THESE DRAWINGS AND SPECIFICATIONS ARE THE PROPRIETARY PROPERTY OF COMMSCOPE, INC. AND MAY BE USED ONLY FOR THE SPECIFIC PURPOSE AUTHORIZED IN WRITING BY COMMSCOPE, INC.

REVISIONS

P	LTR	DESCRIPTION	DATE	DWN	APVD
	D	REV ECN 8000019153	18JAN2017	GG	LS

PACKAGING:

- ONE POLYBAG CONTAINING ITEM 3 (11mm SCREW) AND PRE-ASSEMBLY (METAL FRAME+8.5mm SCREW)
- EACH UNIT IN A CARTON BOX WITH CORRESPONDING LABEL
- 10 UNITS IN A CARTON BOX WITH CORRESPONDING LABEL
- 10 BOXES OF 10 UNITS (100 UNITS) IN A CARTON BOX WITH CORRESPONDING LABEL



1	STEEL	POZIDRIV SCREW; M2.5 x 11mm. RoHS	3
1	STEEL	POZIDRIV SCREW; M2.5 x 8.5mm. RoHS	2
1	Zn ALLOY	METAL FRAME	1
- 1	MATERIAL	DESCRIPTION	ITEM
DASH	PART LIST		

DIMENSIONS: mm		DWN F. CHAMORRO 28JUN2006	MATERIAL -	FINISH -
TOLERANCES UNLESS OTHERWISE SPECIFIED:		CHK A. CARRERAS 11OCT2006	COMMSCOPE, INC.	
0 PLC ±-		APVD J. SANABRA 18DEC2006		
1 PLC ±0.5		PRODUCT SPEC -	3-PORT DIN METAL FRAME FOR 50x50 FACEPLATES	
2 PLC ±0.2		APPLICATION SPEC -		
3 PLC ±-		WEIGHT -	SIZE A 4	CAGE CODE C-1711490
4 PLC ±-			DRAWING NO	RESTRICTED TO
ANGLES ±-				
		CUSTOMER DRAWING		SCALE :
				SHEET OF
				REV D