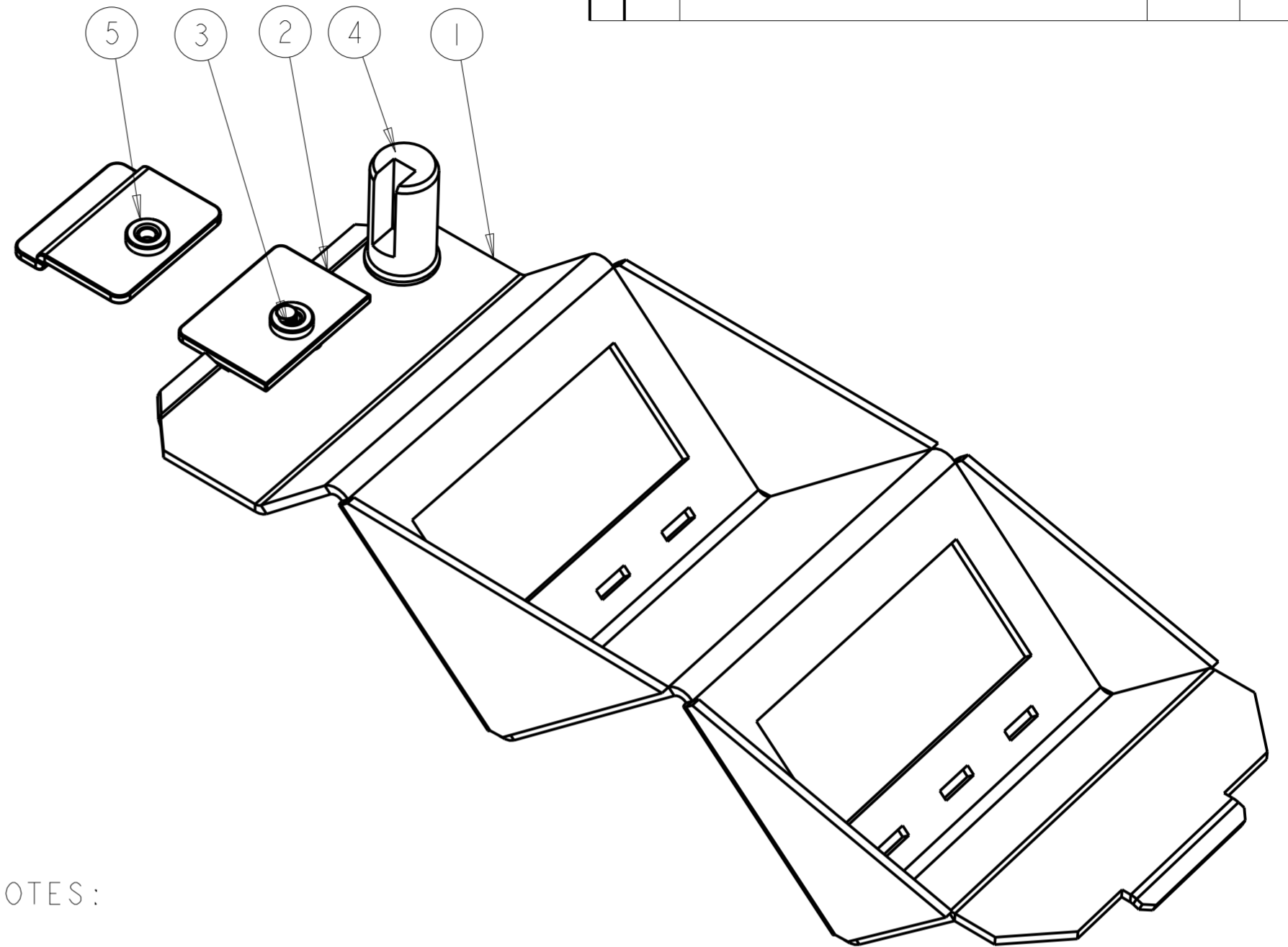
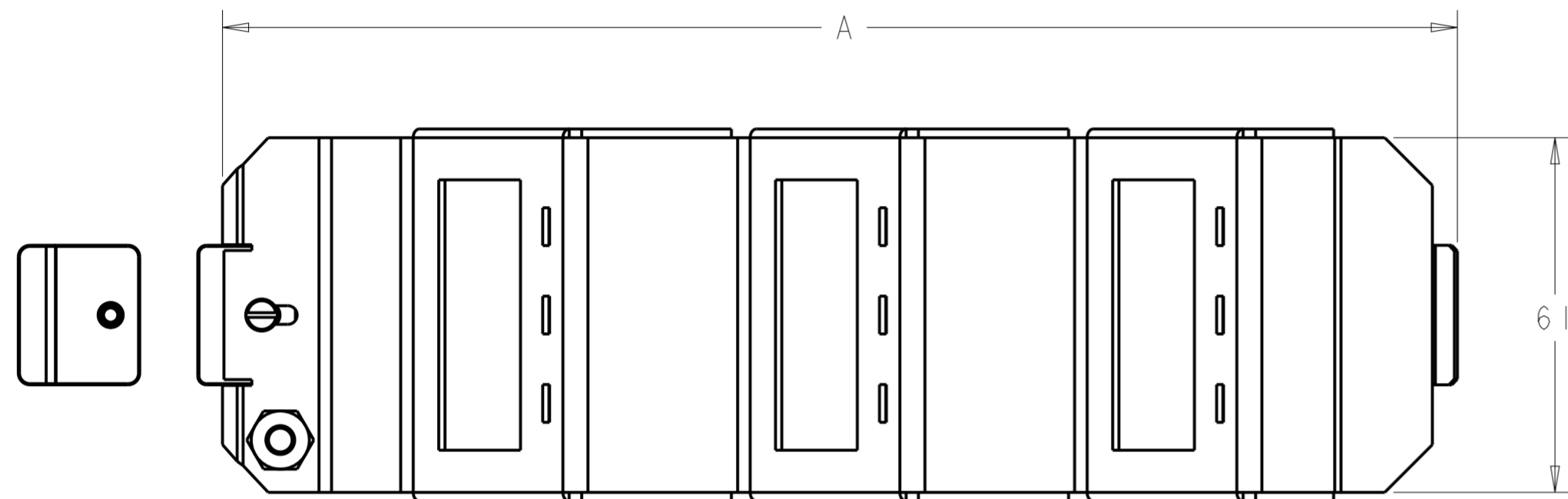
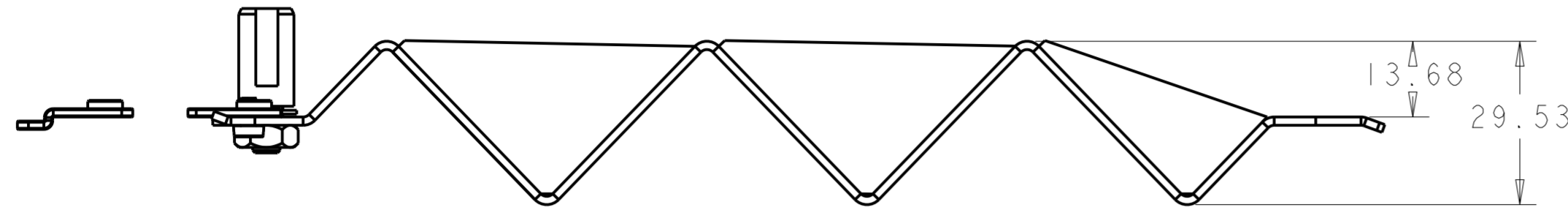


THIS DRAWING IS UNPUBLISHED.  
 © 2016 COMMSCOPE, INC. CONFIDENTIAL

RELEASED FOR PUBLICATION  
 NOTICE: THESE DRAWINGS AND SPECIFICATIONS ARE THE PROPRIETARY PROPERTY OF COMMSCOPE, INC. AND MAY BE USED ONLY FOR THE SPECIFIC PURPOSE AUTHORIZED IN WRITING BY COMMSCOPE, INC.

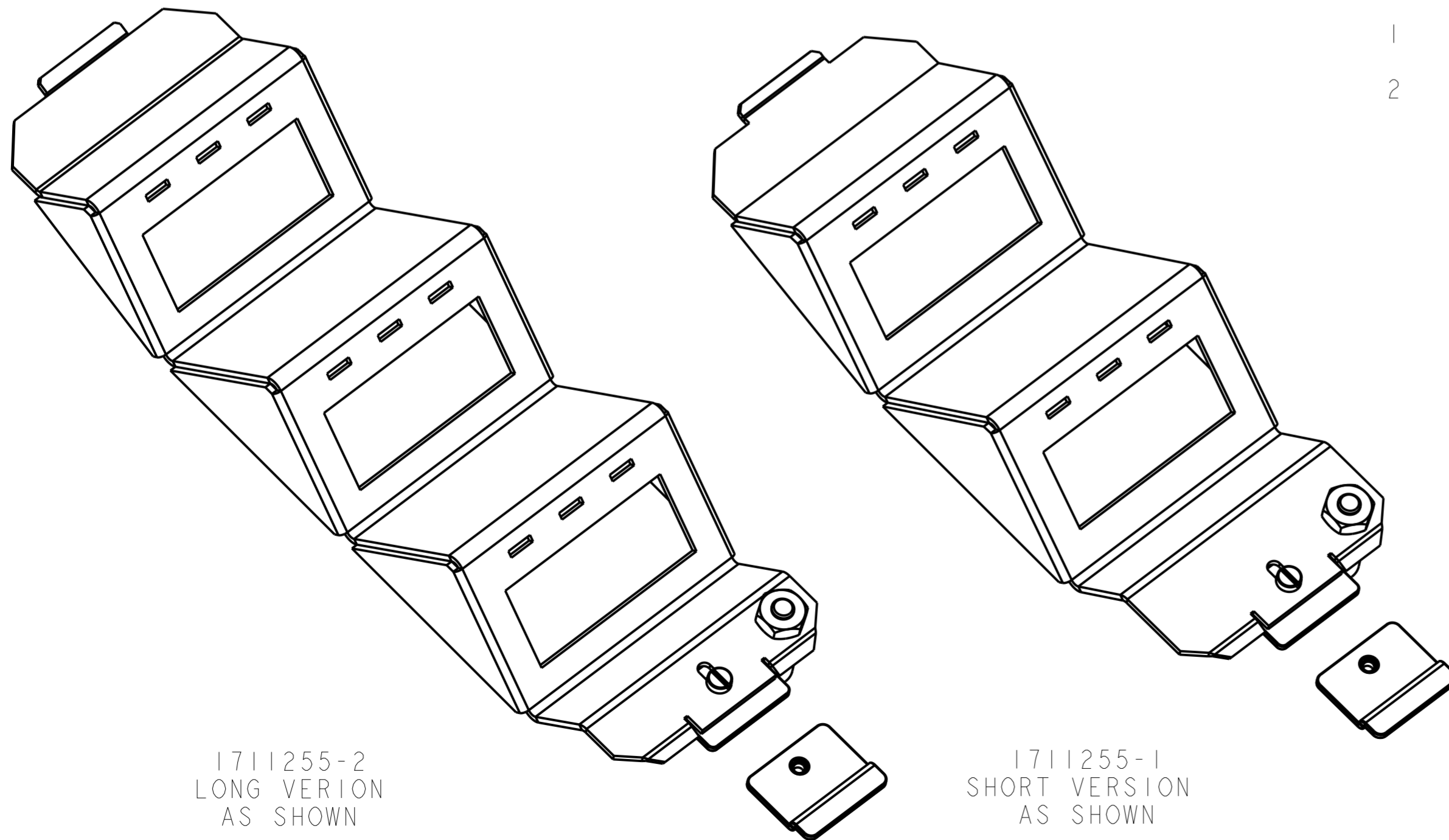
REVISIONS				
P	LTR	DESCRIPTION	DATE	APVD
E2		UPDATED PACKAGING	17MAR2014	RM JS
F		REV PER BNS_CD_BRAND	02FEB2017	GG DC



NOTES:

- 1 POS. 1 AND 2 PREASSEMBLED
- 2 PACKAGING:  
ALL PARTS TOGETHER PACKED IN FILM BAG.  
10 MOUNTING FRAME KITS PACKED IN CARDBOARD BOX.

1711255-X	DIMENSION A
LONG VERSION	212.7
SHORT VERSION	169.9



1711255-2  
LONG VERSION  
AS SHOWN

1711255-1  
SHORT VERSION  
AS SHOWN

ORDER NO.	QTY REQ PER ASSY	ITEM NO.	DESCRIPTION	SURFACE / COLOR	MATERIAL		
1711255	1	1	5	CLAMPLING PLATE	BLUE CHROMALIZED	-	
	1	1	-	4	GROUNDING SCREW M6	CHROMALIZED	-
	1	1	1	3	SCREW M3X5	CHROMALIZED	-
	1	1	1	2	CLAMPLING PLATE	BLUE CHROMALIZED	St 1203 t=1.5 mm
	-	1	-	1	CARRIER SHEET, SHORT VERSION	BLUE CHROMALIZED	St 1203 t=1.5 mm
	-	-	-	1	CARRIER SHEET, SHORT VERSION	BLACK RAL 9005	St 1203 t=1.5 mm
	1	-	-	1	CARRIER SHEET, LONG VERSION	BLUE CHROMALIZED	St 1203 t=1.5 mm
	-	-	1	1	CARRIER SHEET, LONG VERSION	BLACK RAL 9005	St 1203 t=1.5 mm

THIS DRAWING IS A CONTROLLED DOCUMENT.

DWN: R. MATEO 30SEP2004  
 CHK: A. PUELL 30SEP2004  
 APVD: J. SANABRA 01OCT2004

**COMMSCOPE, INC.**

NAME: SL JACK MOUNTING FRAME FOR UNDERFLOOR BOXES

SIZE: A2 CAGE CODE: - DRAWING NO: C-1711255 RESTRICTED TO: -

MATERIAL: SEE TABLE TOLERANCES UNLESS OTHERWISE SPECIFIED: SEE TABLE

Customer Drawing SCALE: 1:1 SHEET OF REV F