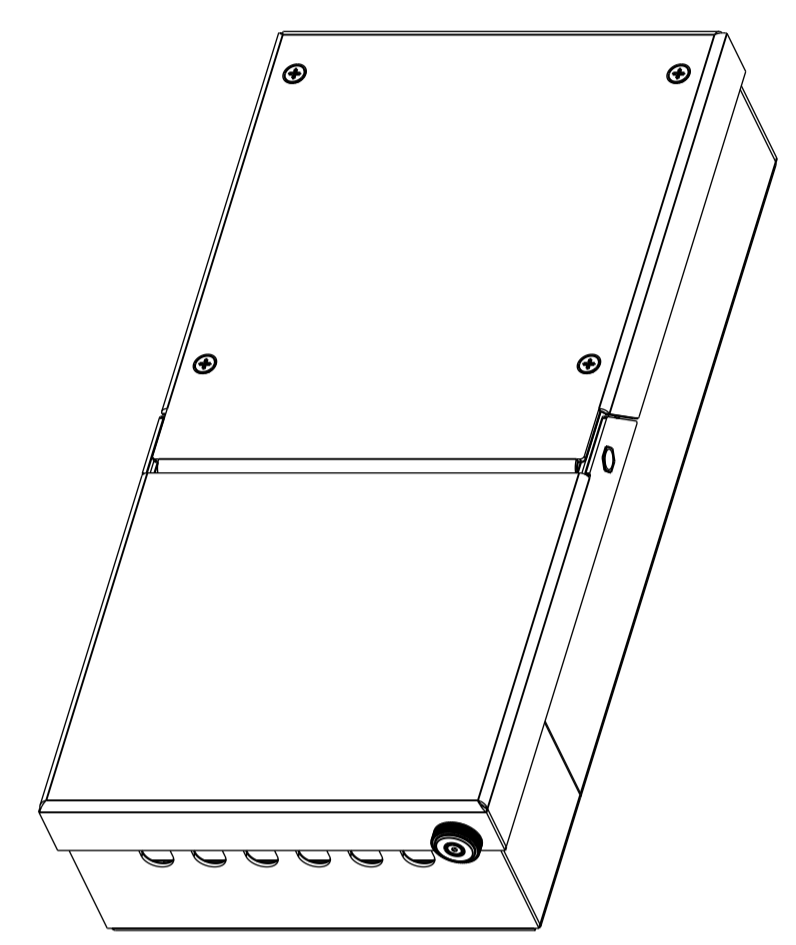
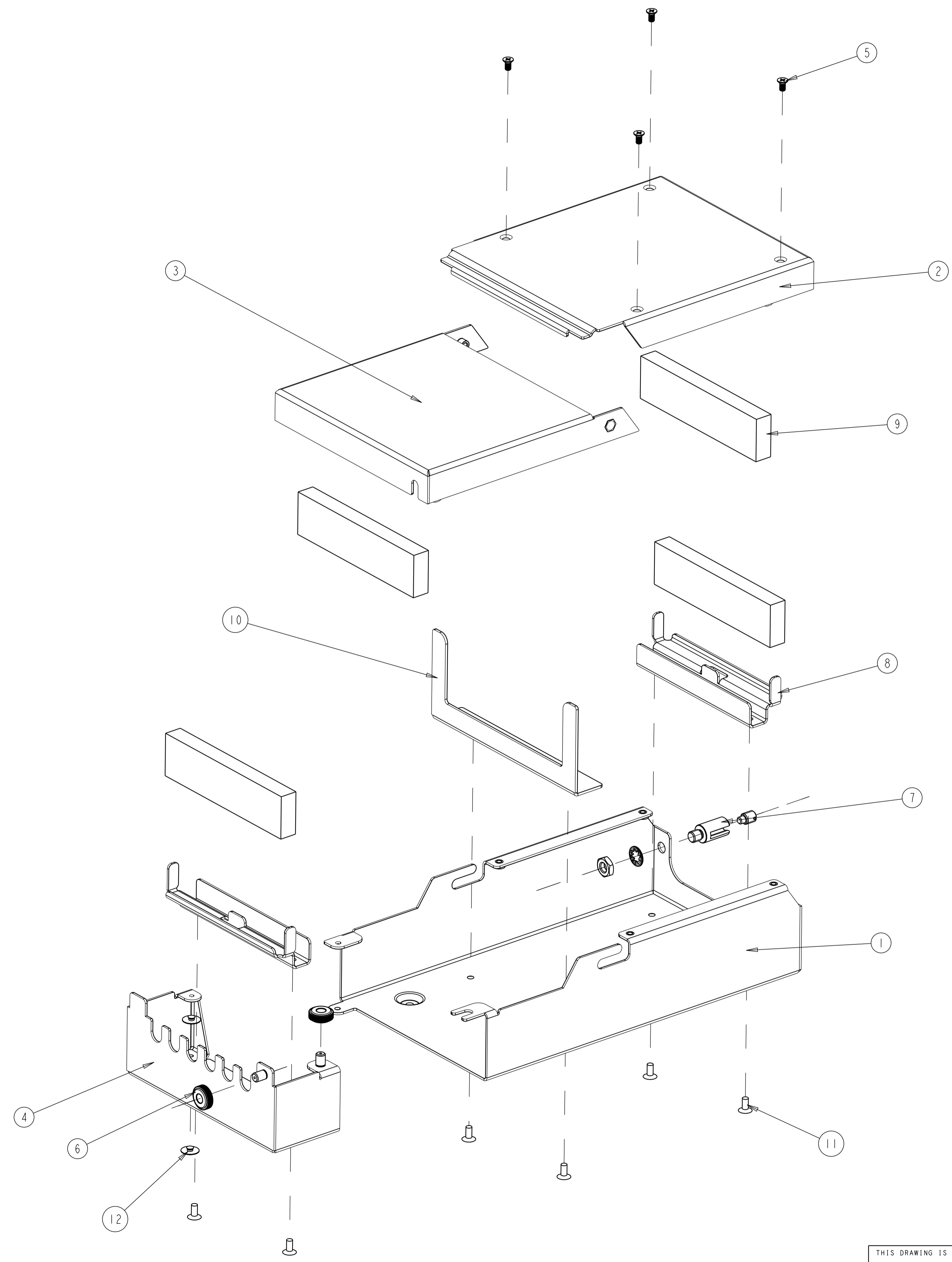
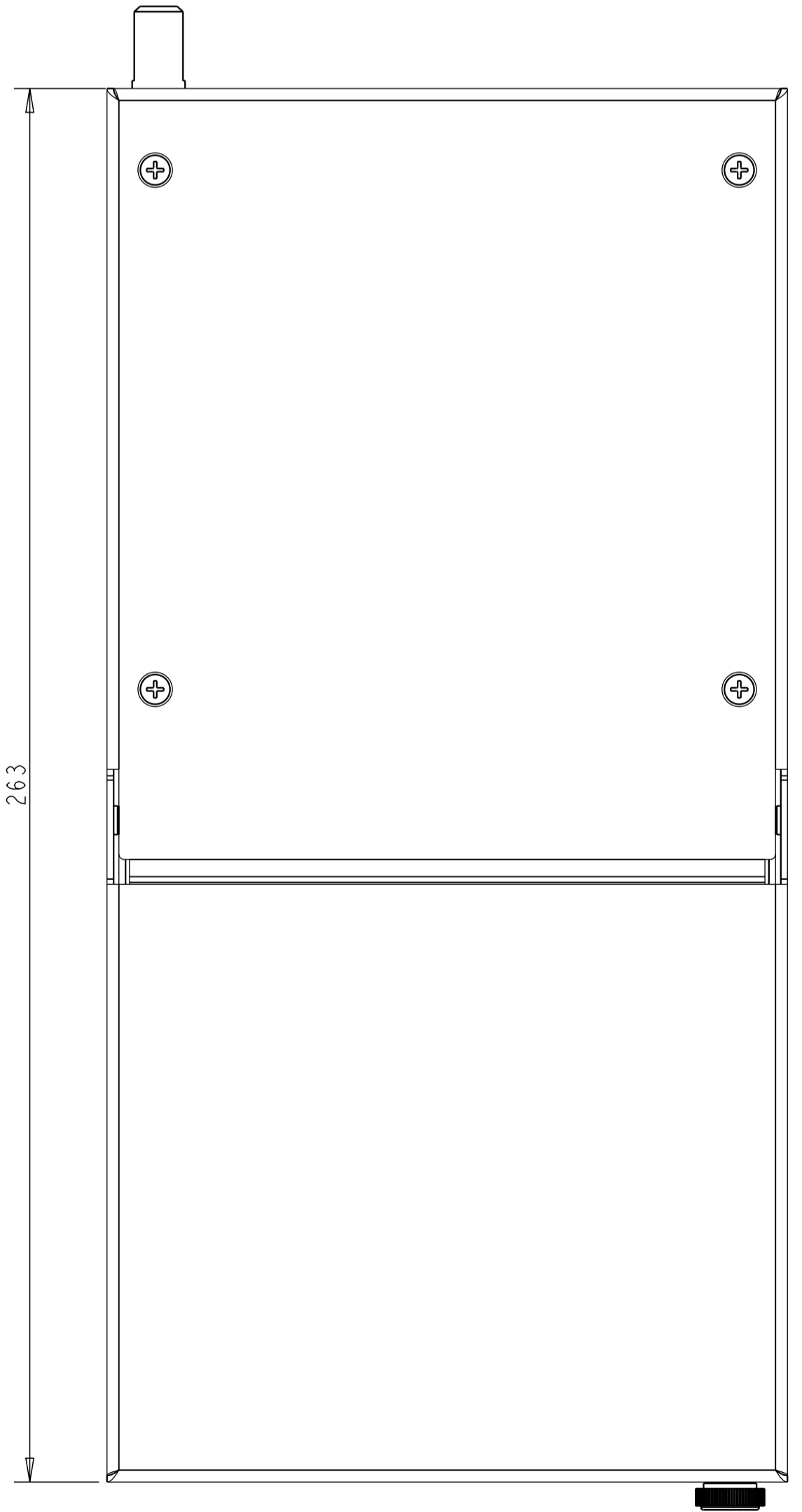
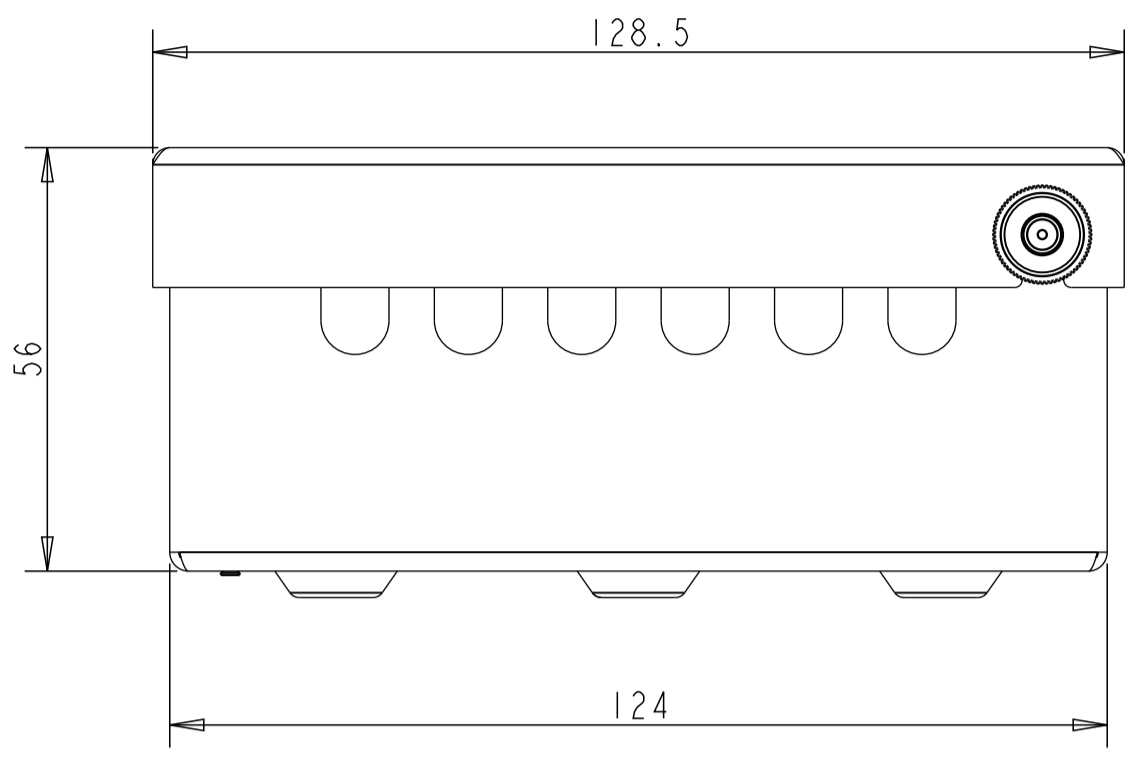
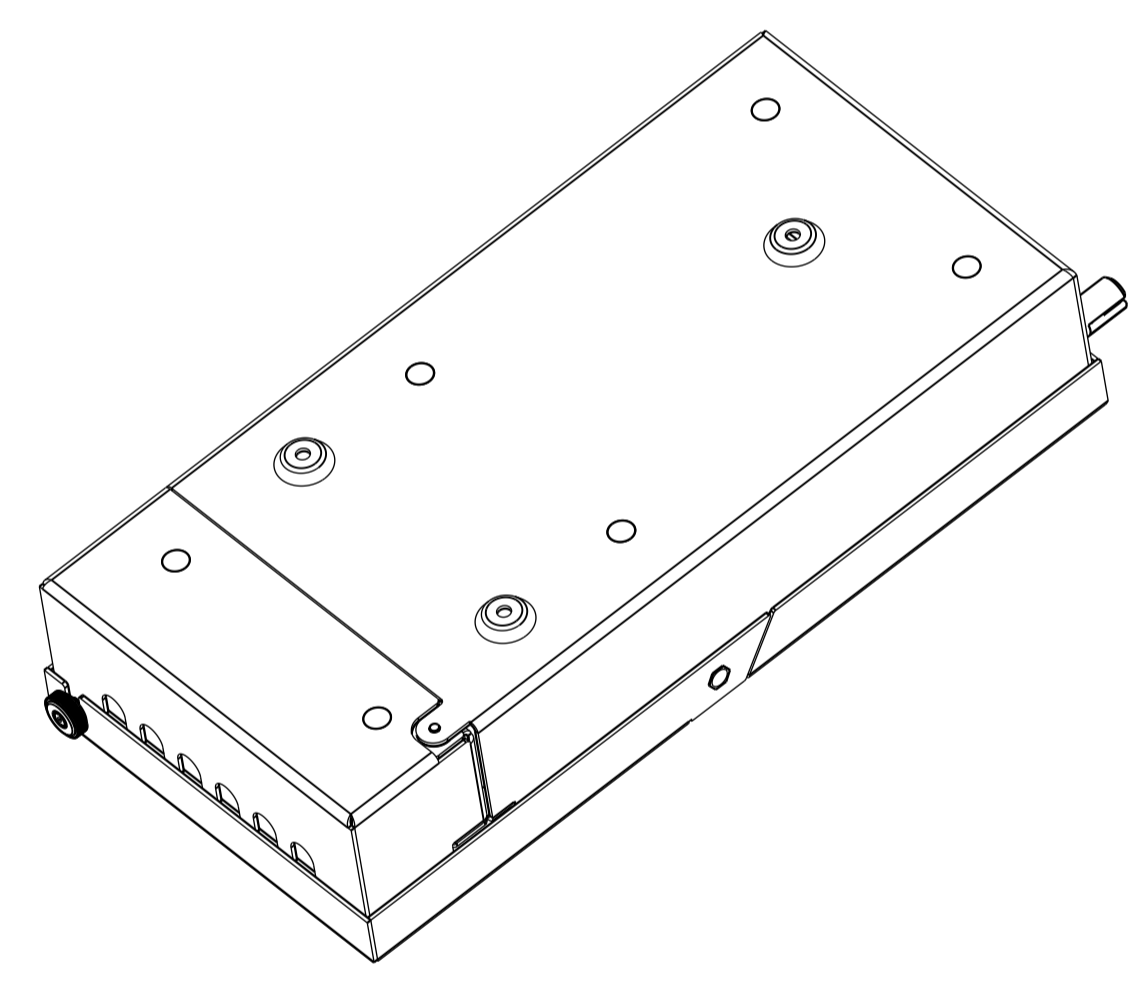


LOC	DIST	REVISIONS				
		P. LTM	DESCRIPTION	DATE	DWN	APVD
1V	00	A	Initial Release	05JUL2011	WDV	HB
		B	ECR-12-018165	18OCT2012	WDV	HB
		C	ECN 8000018048 REBRANDING	21DEC2016	RCR	SC



SCALE 0.500



SCALE 0.500

SCALE 0.750

QTY	DESCRIPTION	ITEM
1	Label (not shown)	13
2	Spotfast Fastener with washer SFW-3-1.6-LZ	12
6	Countersunk Rivet 3.2 x 6.5-7.5 AL	11
1	CP 6-PORT-C PATCH PANEL	10
4	Cellular Closed Cell Foam (97.5x25x10)	9
2	CP 6-PORT-C BRACKET FOAM	8
1	GROUNDING SCREW	7
2	KNURLED NUT M5	6
4	SCREW M3x6 DIN 965-H BLACK	5
1	CP 6-PORT-C HINGABLE FRONT	4
1	CP 6-PORT-C HINGE COVER	3
1	CP 6-PORT-C FIXED COVER	2
1	CP 6-PORT-C BASE	1

THIS DRAWING IS A CONTROLLED DOCUMENT.

DIMENSIONS:	TOLERANCES UNLESS OTHERWISE SPECIFIED:	DWN	05JUL2011
mm	0 PLC .SEE TABLE	CHK	H. BLEUS
	1 PLC .SEE TABLE	APVD	05JUL2011
	2 PLC .SEE TABLE	NAME	
	3 PLC .SEE TABLE	COMMSCOPE, INC.	
	4 PLC .SEE TABLE	PRODUCT SPEC	
	ANGLES .SEE TABLE	CP 6-PORT QUICK-FIT	
MATERIAL	FINISH	SIZE	CAGE CODE
-	-	A1	C=1671414
CUSTOMER DRAWING		SCALE	1.000
		SHEET	1 OF 1
		REV	C