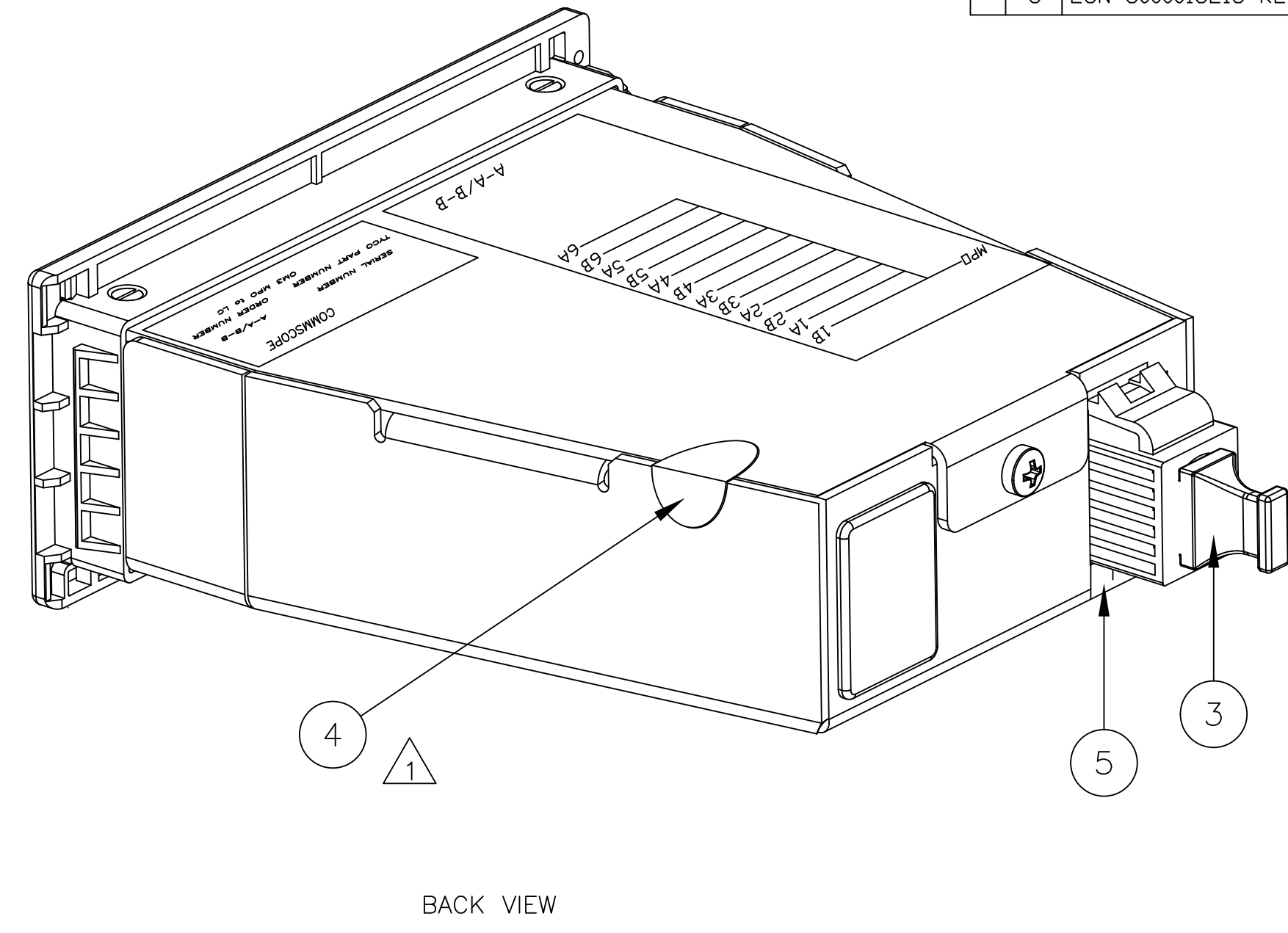
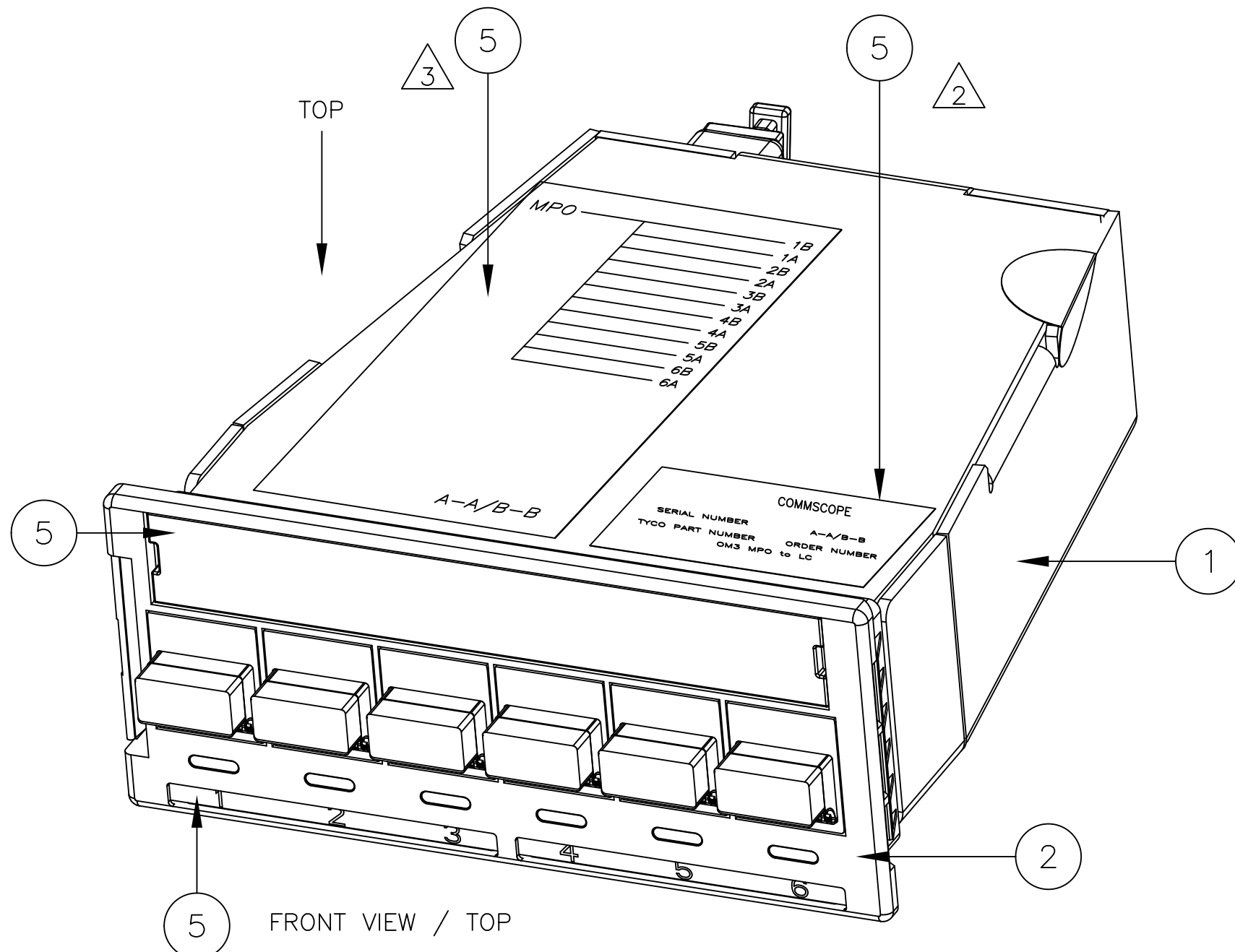


THIS DRAWING IS UNPUBLISHED. RELEASED FOR PUBLICATION  
 © 2016 Commscope, INC. Confidential NOTICE: These drawings and specifications are the proprietary property of COMMSCOPE, INC. and may be used only for the specific purpose authorized in writing by COMMSCOPE, INC.

REVISIONS				
P	LTR	DESCRIPTION	DATE	APVD
B		ECN-12-019863	28062013	MO
C		ECN 8000018218 REBRANDING	18012017	RCR



**OPTICAL PERFORMANCE FOR CASSETTES**

- PERFORMANCE EXCEEDS REQUIREMENTS I.S. 11801, TIA/EIA 568.B3
- ATTENUATION ALL MEASURED ACCORDING I.E.C. 61300-3-4; WITH MODAL CONDITION ACCORDING TO: IS 14763-3, OFSTP-14, IEC 61280-4-1
- RETURN LOSS ALL MEASURED ACCORDING I.E.C. 61300-3-6; WITH MODAL CONDITION ACCORDING TO: IS 14763-3, OFSTP-14, IEC 61280-4-1

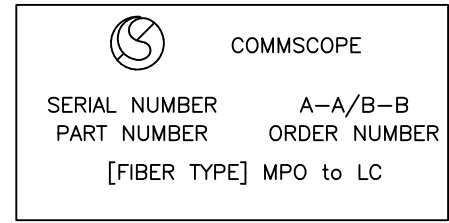
FOR OM1:	ATTENUATION ≤ 1,0dB*, MEASURED BETWEEN REFERENCE CONNECTORS AT 850 nm AND 1300 nm
(MM62,5)	RETURN LOSS ≥ 20dB, MEASURED BETWEEN REFERENCE CONNECTORS AT 850 nm AND 1300 nm
FOR OM2:	ATTENUATION ≤ 1,0dB*, MEASURED BETWEEN REFERENCE CONNECTORS AT 850 nm AND 1300 nm
(MM50)	RETURN LOSS ≥ 20dB, MEASURED BETWEEN REFERENCE CONNECTORS AT 850 m AND 1300 nm
FOR OM3:	ATTENUATION ≤ 0,75dB*, MEASURED BETWEEN REFERENCE CONNECTORS AT 850 nm
(MM50)	RETURN LOSS ≥ 23dB, MEASURED BETWEEN REFERENCE CONNECTORS AT 850 nm
FOR OS2/PC:	ATTENUATION ≤ 0.75dB MEASURED BETWEEN REFERENCE CONNECTORS AT 1310 m AND 1550 nm
(SM 9/125)	RETURN LOSS ≥ 35dB, MEASURED BETWEEN REFERENCE CONNECTORS AT 1310 nm AND 1550 nm
FOR OS2/APC:	ATTENUATION ≤ 0.75dB MEASURED BETWEEN REFERENCE CONNECTORS AT 1310 m AND 1550 nm
(SM 9/125)	RETURN LOSS ≥ 45dB, MEASURED BETWEEN REFERENCE CONNECTORS AT 1310 nm AND 1550 nm

\* CASSETTE LOSS: EACH CASSETTE CONTAINS 2 CONNECTIONS PER FIBER CHANNEL

PART NUMBER	TYPE	PART NUMBER	ADAPTER COLOR
STRAIGHT A-A/B-B		PAIR FLIPPED A-B/B-A	
1671205-1	MM62.5 (OM1) (LC/PC)	1-1671205-1	BEIGE
1671205-2	MM50 (OM2) (LC/PC)	1-1671205-2	BLACK
1671205-3	MM50 (OM3)** (LC/PC)	1-1671205-3	AQUA
1671205-4	SM (OS2) (LC/PC)	1-1671205-4	BLUE
1671205-6	SM (OS2) (LC/APC 8°)	1-1671205-6	GREEN

\*\* USE OF MPOptimate VARIANT RECOMMENDED FOR HIGH CONNECTIVITY APPLICATIONS

- 1 WARRANTY VOID IF SEAL IS BROKEN
- 2 LABEL INFORMATION: EXAMPLE:
  - COMMSCOPE LOGO
  - SERIAL NUMBER
  - COMMSCOPE PART NUMBER
  - "A-A/B-B" OR "A-B/B-A"
  - ORDER NUMBER
  - FIBER TYPE & CONNECTOR TYPE
- 3 INFORMATION LABEL FOR FIBER PATH
- 4 TEST RESULT SHEET SUPPLIED WITH EACH INDIVIDUALLY PACKED CASSETTE



Qty	Description	Item
5	INFORMATION LABEL	5
1	FOAC WARRANTY LABEL	4
1	MPO ADAPTER WITH DUST CAP	3
1	INTERFACE HOUSING WITH 6 DUPLEX LC ADAPTERS	2
1	QUICK-FIT CASSETTE MODULE WITH COVER, BLACK	1

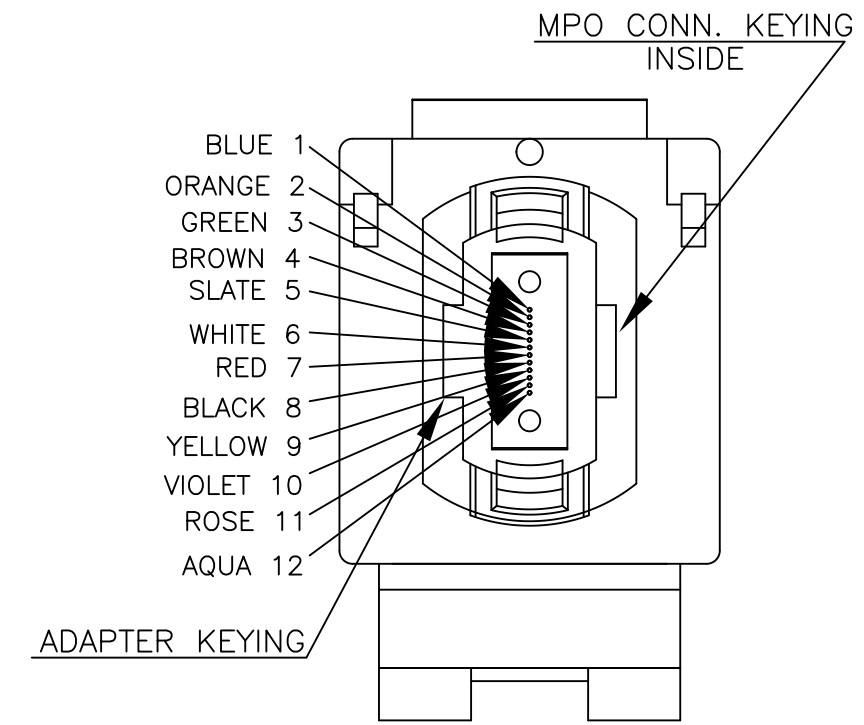
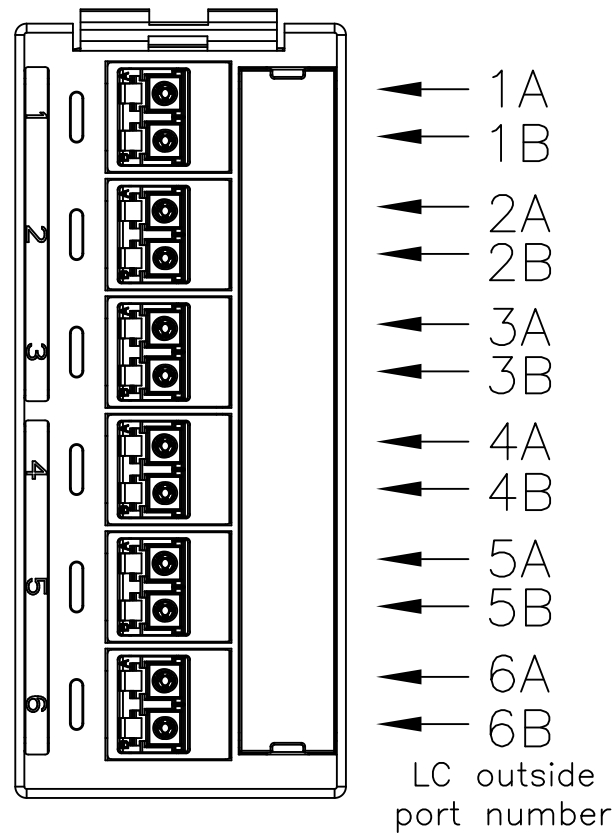
  

THIS DRAWING IS A CONTROLLED DOCUMENT.		DWN 07-07-2010 M.A.Hoppers	<b>COMMSCOPE, INC.</b>
DIMENSIONS: mm		CHK 07-07-2010 T.v.d Meuler	
TOLERANCES UNLESS OTHERWISE SPECIFIED:		APVD 07-07-2010 M.A.Hoppers	
0 PLC ± - 1 PLC ± - 2 PLC ± - 3 PLC ± - 4 PLC ± - ANGLES ± - FINISH -		NAME FOCASS QUICK - FIT MPO - 6 X LC DUPLEX	
MATERIAL	-	WEIGHT -	SIZE A2
CUSTOMER DRAWING		SCALE NTS	DRAWING NO C=1671205
		SHEET 1 of 2	RESTRICTED TO -
		REV C	

1671205

THIS DRAWING IS UNPUBLISHED. RELEASED FOR PUBLICATION  
 © 2016 Commscope, INC. Confidential NOTICE: These drawings and specifications are the proprietary property of COMMSCOPE, INC. and may be used only for the specific purpose authorized in writing by COMMSCOPE, INC.

LOC		DIST		REVISIONS			
P	LTR	DESCRIPTION	DATE	DWN	APVD		
-	-	SEE SHEET 1	-	-	-		



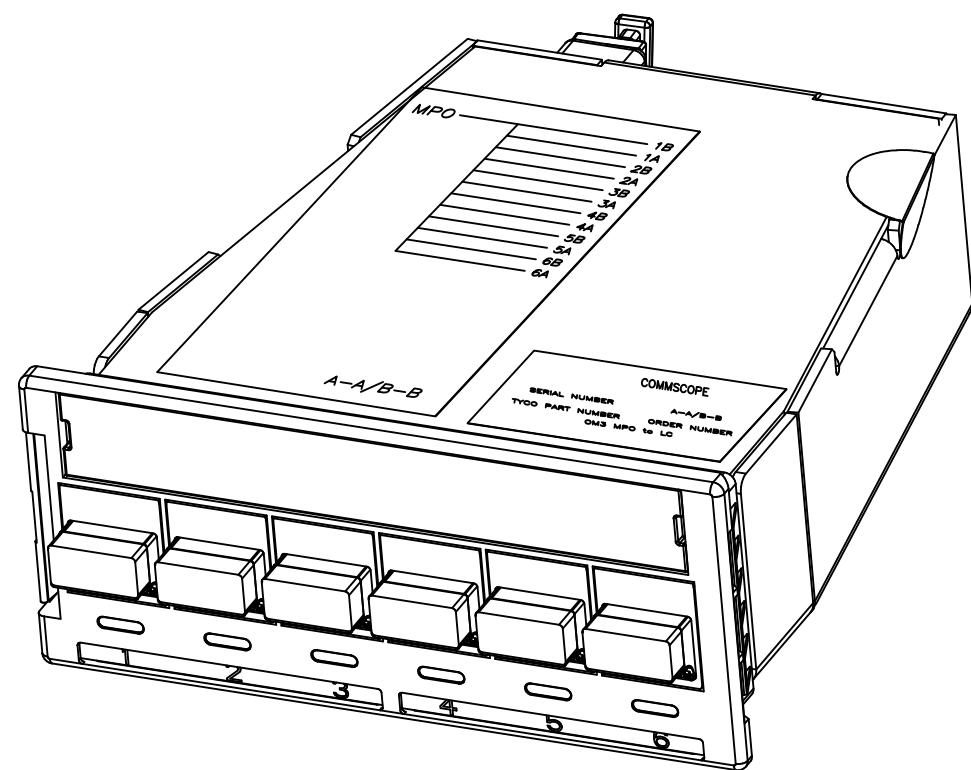
OUTSIDE VIEW MPO ADAPTER  
 FIBER POSITION MPO INSIDE

### FIBER ROUTING

CONNECTIVITY STRAIGHT A-A / B-B		
LC/PC*		MPO
1B	←→	1
1A	←→	2
2B	←→	3
2A	←→	4
3B	←→	5
3A	←→	6
4B	←→	7
4A	←→	8
5B	←→	9
5A	←→	10
6B	←→	11
6A	←→	12

CONNECTIVITY PAIR FLIPPED A-B / B-A		
LC/PC*		MPO
1B	←→	1
1A	←→	2
2B	←→	3
2A	←→	4
3B	←→	5
3A	←→	6
4B	←→	7
4A	←→	8
5B	←→	9
5A	←→	10
6B	←→	11
6A	←→	12

\*) = LC port outside



THIS DRAWING IS A CONTROLLED DOCUMENT.		DWN 07-07-2010 M.A.H oppers	<b>COMMSCOPE, INC.</b>	
DIMENSIONS: mm		CHK 07-07-2010 T.v.d Meuler		
TOLERANCES UNLESS OTHERWISE SPECIFIED:		APVD 07-07-2010 M.A.H oppers	NAME FOCASS QUICK - FIT MPO - 6 X LC DUPLEX	
0 PLC ± -		PRODUCT SPEC	SIZE CAGE CODE DRAWING NO RESTRICTED TO	
1 PLC ± -		APPLICATION SPEC	A2 - C=1671205	
2 PLC ± -		WEIGHT	SCALE NTS SHEET 2 of 2 REV c	
3 PLC ± -		CUSTOMER DRAWING		
4 PLC ± -				
ANGLES ± -				
FINISH				

1671205