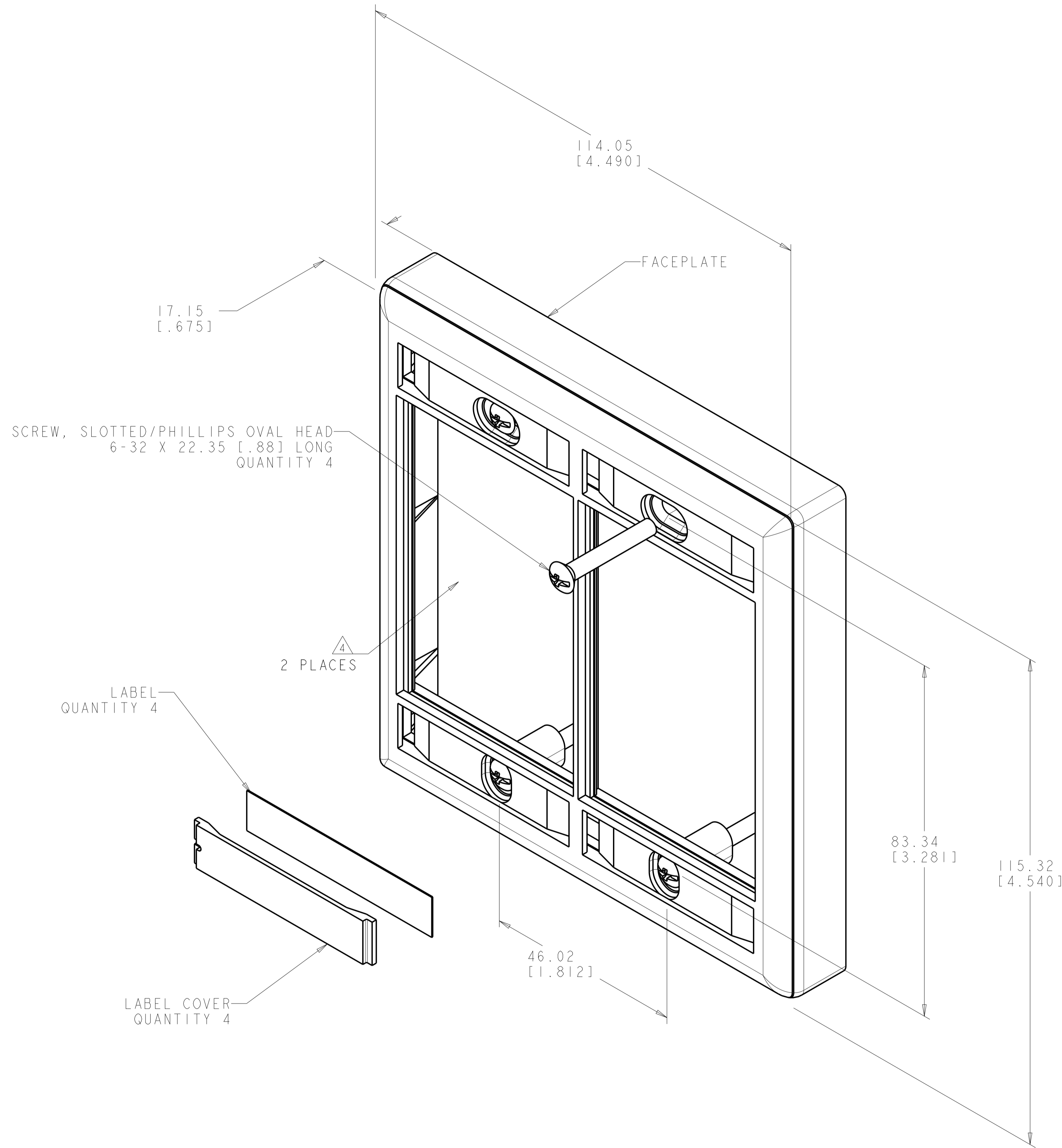


REVISIONS				
REV	LTN	DESCRIPTION	DATE	APPROV
C	ECO-13-005468		03APR2013	JM RA
D	REV: ECO-15-003155		19MAY2015	GG RA
E	REV: MCO-40023128		10JULY2015	HG LS
F	REV PER BNS_CD_BRAND		08FEB2017	GG DC



- △ MATERIAL: FACEPLATE - POLYCARBONATE MOLDING COMPOUND. SEE TABLE FOR COLOR.
 LABEL COVERS - POLYCARBONATE MOLDING COMPOUND.
 LABELS - WHITE INDEX PAPER.
 SCREWS - ZINC PLATED CARBON STEEL.
- 2. THIS KIT SHIPPED NOT ASSEMBLED.
- △ DIMENSIONS ARE NOMINAL.
- △ OPENING ACCEPTS THREE 1 UNIT OR TWO 1.5 UNIT SL SERIES MODULES.

ALPINE WHITE	1-1479486-3
NEMA GRAY	1479486-4
BLACK	1479486-2
LIGHT ALMOND	1479486-1
COLOR	PART NUMBER

THIS DRAWING IS A CONTROLLED DOCUMENT.		DWN: G. GARRETT 22APR03	COMMSCOPE, INC.	
DIMENSIONS: MM [INCHES]		CHK: G. BOWMAN 22APR03	KIT, FACEPLATE DOUBLE GANG, SL SERIES, STANDARD	
TOLERANCES UNLESS OTHERWISE SPECIFIED:		APP'D: G. BOWMAN 22APR03	RESTRICTED TO	
0 PLC ± .3	1 PLC ± .2	PRODUCT SPEC	SIZE: A1	CAGE CODE: 1479486
2 PLC ± .1	3 PLC ± .1	APPLICATION SPEC	SCALE: 2:1	SHEET 1 OF 1
4 PLC ± .1	ANGLES ± .1	WEIGHT	REV: F	
MATERIAL: △	FINISH: -	Customer Drawing		