

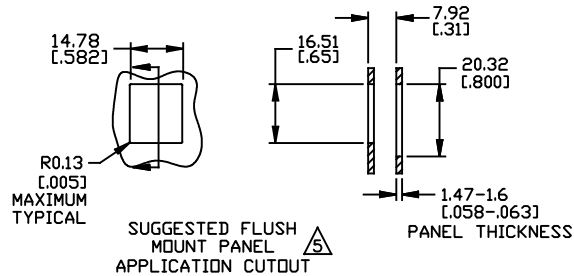
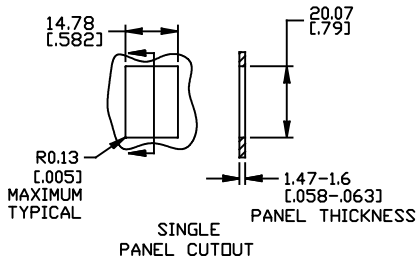
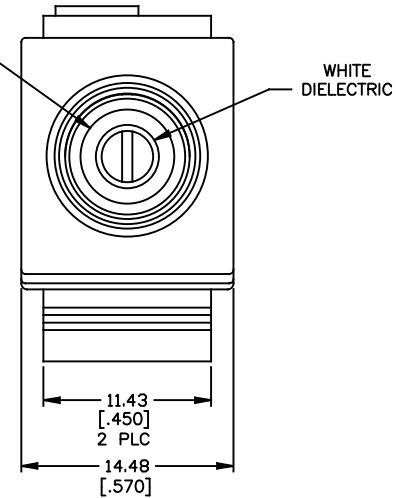
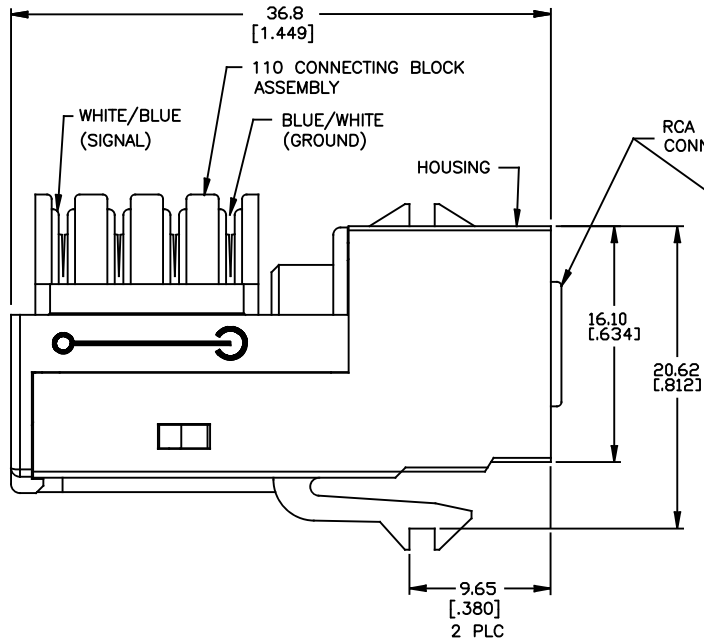
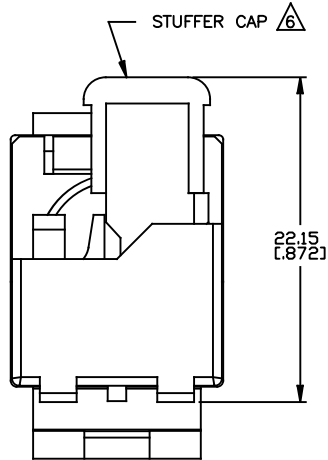
THIS DRAWING IS UNPUBLISHED. RELEASED FOR PUBLICATION  
 © 2016 Commscope, INC. Confidential. All rights reserved. These drawings and specifications are the property of Commscope, INC and may be used only for the specific purpose authorized in writing by Commscope, INC.

| REVISIONS |    |                      |           |     |      |
|-----------|----|----------------------|-----------|-----|------|
| #         | LR | DESCRIPTION          | DATE      | DWG | APPD |
| E         |    | ECO-13-007086        | 29APR2013 | JM  | RA   |
| F         |    | REV PER BNS_CD_BRAND | 20JAN2017 | GG  | DC   |

COLOR CODE 110 BLOCK RCA  
 BLUE/WHITE > < GROUND  
 WHITE/BLUE > < SIGNAL

ELECTRICAL SCHEMATIC

- 1. MATERIAL: HOUSING - POLYPHENYLENE OXIDE, 94V-0 RATED. SEE TABLE FOR COLOR. STUFFER AND 110 BLOCK - POLYCARBONATE, 94V-0 RATED.
- 2. PACKAGED 1 KIT PER POLYBAG.
- 3. DIMENSIONS SHOWN ARE FOR REFERENCE ONLY.
- 4. MOUNTING PANEL THICKNESS 1.473 - 1.600 [.058 - .063].
- 5. THESE TWO SUGGESTED CUTOUT OPENINGS ARE USED IN TANDEM WITH DUAL FRONT AND BACK CUTOUTS.
- 6. STUFFER CAP SHOWN ASSEMBLED, BUT SHIPPED UNASSEMBLED.
- 7. 110 BLOCK WILL TERMINATE 22-26 AWG SOLID CONDUCTOR WITH MAXIMUM INSULATING DIAMETER OF 1.27[.050].



|              |             |
|--------------|-------------|
| ALPINE WHITE | 1-1479231-3 |
| LIGHT ALMOND | 1479231-1   |
| COLOR        | PART NUMBER |

THIS DRAWING IS A CONTROLLED DOCUMENT.

|                 |           |   |                     |              |                       |                  |
|-----------------|-----------|---|---------------------|--------------|-----------------------|------------------|
| DWG: L. HALL    | 29APR02   | <b>COMMSCOPE, INC.</b><br>KIT, ADAPTOR RCA/110 CONNECT, WHITE<br>-<br>- | SIZE: A2            | CAGE CODE: - | DRAWING NO: ©=1479231 | RESTRICTED TO: F |
| CHK: G. BOWMAN  | 30APR02   |   | PRODUCT SPEC: -     | SCALE: 4:1   | SHEET: 1 of 1         | REV: F           |
| APPD: G. BOWMAN | 30APR02   |   | APPLICATION SPEC: - |              |                       |                  |
| MATERIAL: -     | FINISH: - |   | WEIGHT: -           |              |                       |                  |

CUSTOMER DRAWING

1479231