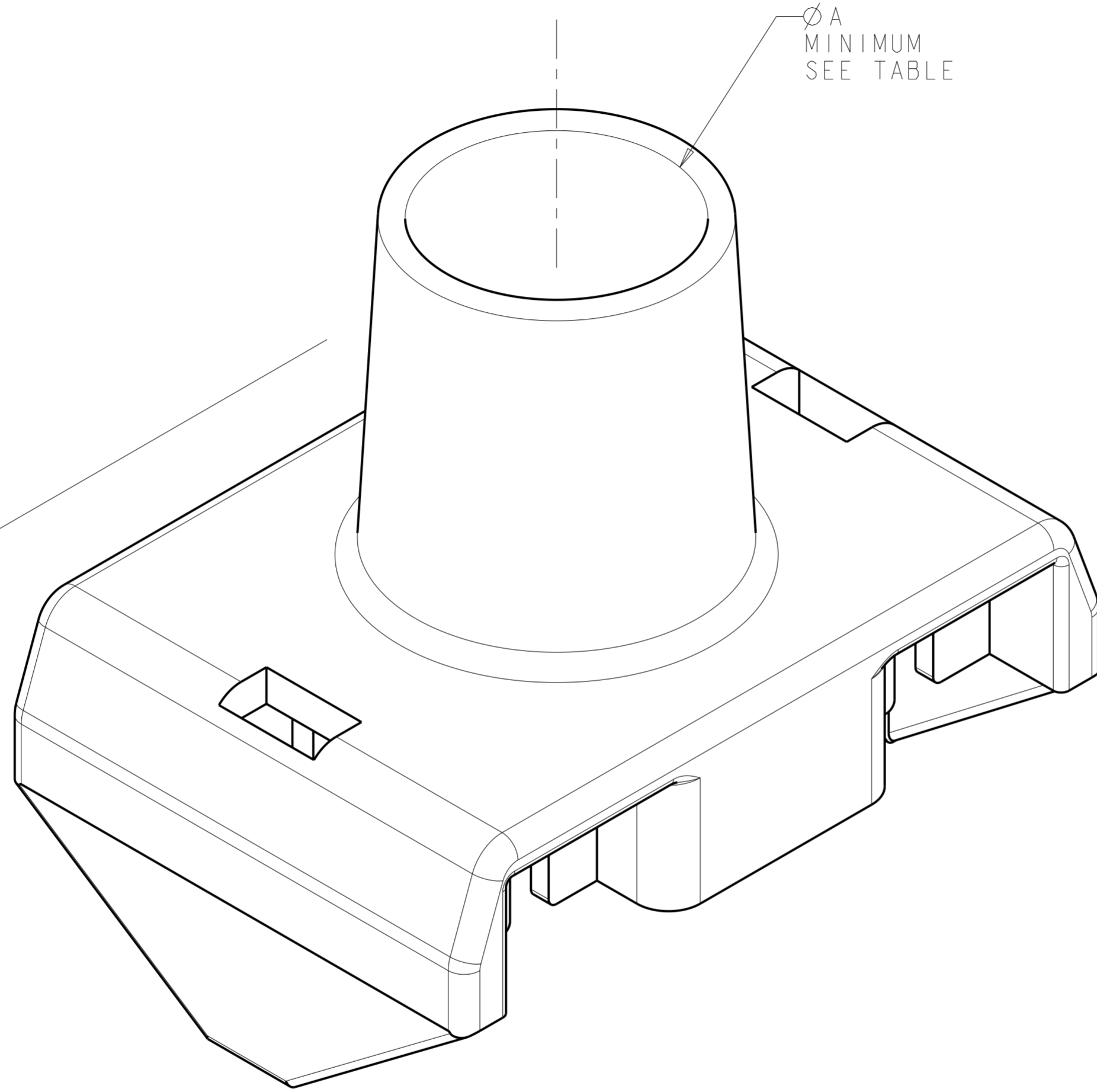


THIS DRAWING IS UNPUBLISHED. RELEASED FOR PUBLICATION
 © 2016 COMMScope, INC. CONFIDENTIAL NOTICE: THESE DRAWINGS AND SPECIFICATIONS ARE THE PROPRIETARY PROPERTY OF COMMScope, INC. AND MAY BE USED ONLY FOR THE SPECIFIC PURPOSE AUTHORIZED IN WRITING BY COMMScope, INC.

REVISIONS				
P	LTR	DESCRIPTION	DATE	APVD
0		REV - EC 0B40-0222-01	28SEP01	LH CD
A		REV, 0B40-0128-02	14MAY02	TP CD
B		REV; EC 0B40-0105-03	14MAY03	GG CD
C		REV PER BNS_CD_BRAND	09FEB2017	GG DC

- 1 MATERIAL: POLYCARBONATE, SEE TABLE FOR COLOR.
- 2 DIMENSIONS ARE MAXIMUM UNLESS OTHERWISE NOTED.
- 3 PACKAGED 25 STRAIN RELIEFS PER POLYBAG.



19.12
[.753]

Ø 5.84	3	LIGHT BLUE	CATEGORY 5e	1375200-2
Ø 6.68		SMOKED GRAY	CATEGORY 6	1375200-1
A	PACKAGED	COLOR 1	DESCRIPTION	PART NO.
THIS DRAWING IS A CONTROLLED DOCUMENT.		DWN L HALL 27SEP01	COMMScope, INC.	
DIMENSIONS: MM [INCHES]		CHK L SMITH 27SEP01		
TOLERANCES UNLESS OTHERWISE SPECIFIED:		APVD C DOOLEY 28SEP01		
0 PLC ± 2	1 PLC ±	PRODUCT SPEC	NAME BEND-LIMITING STRAIN RELIEF	
2 PLC ±	3 PLC ±	APPLICATION SPEC	-	
3 PLC ±	4 PLC ±	WEIGHT	SIZE A2	
ANGLES ±	FINISH -	CUSTOMER DRAWING	DRAWING NO. C-1375200	
MATERIAL 1		SCALE 10.1	RESTRICTED TO	
		SHEET 1 OF 1	REV C	