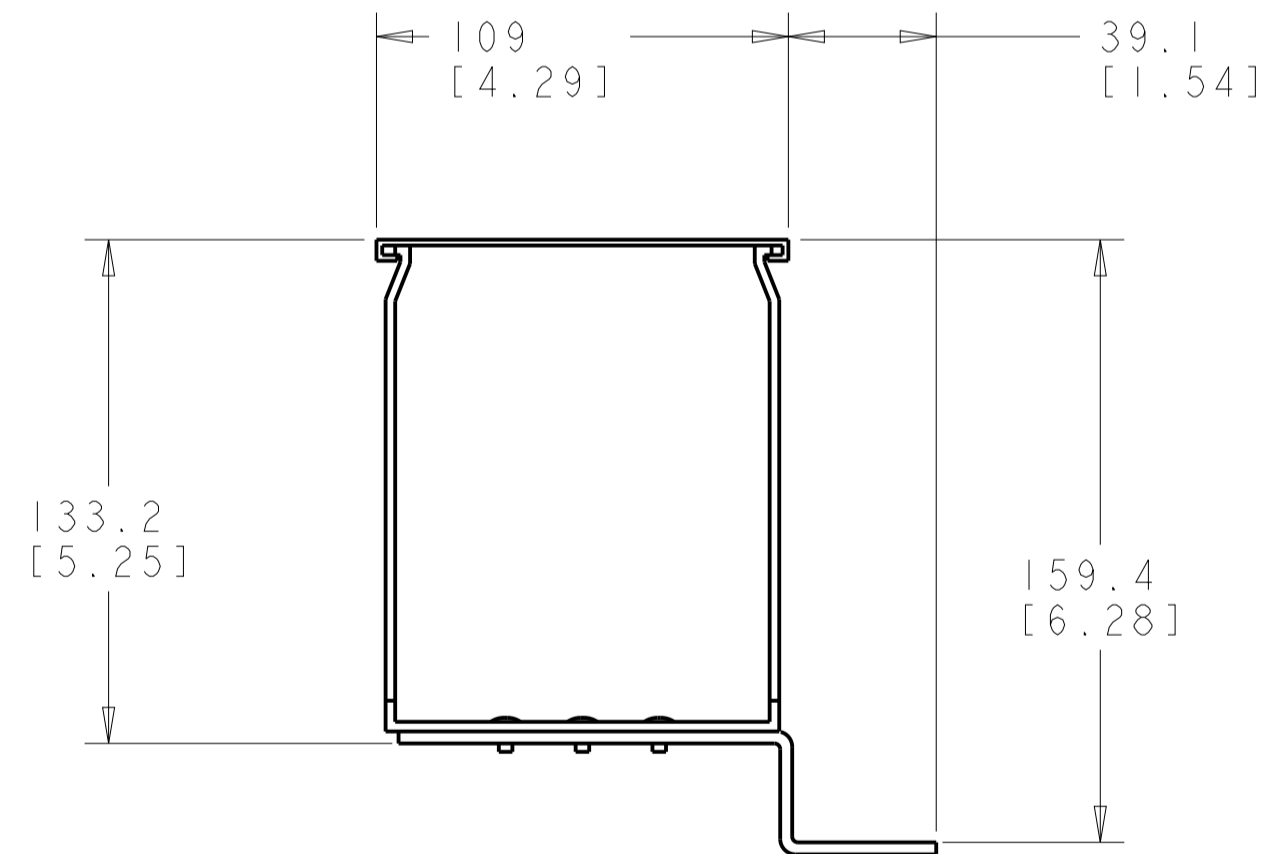
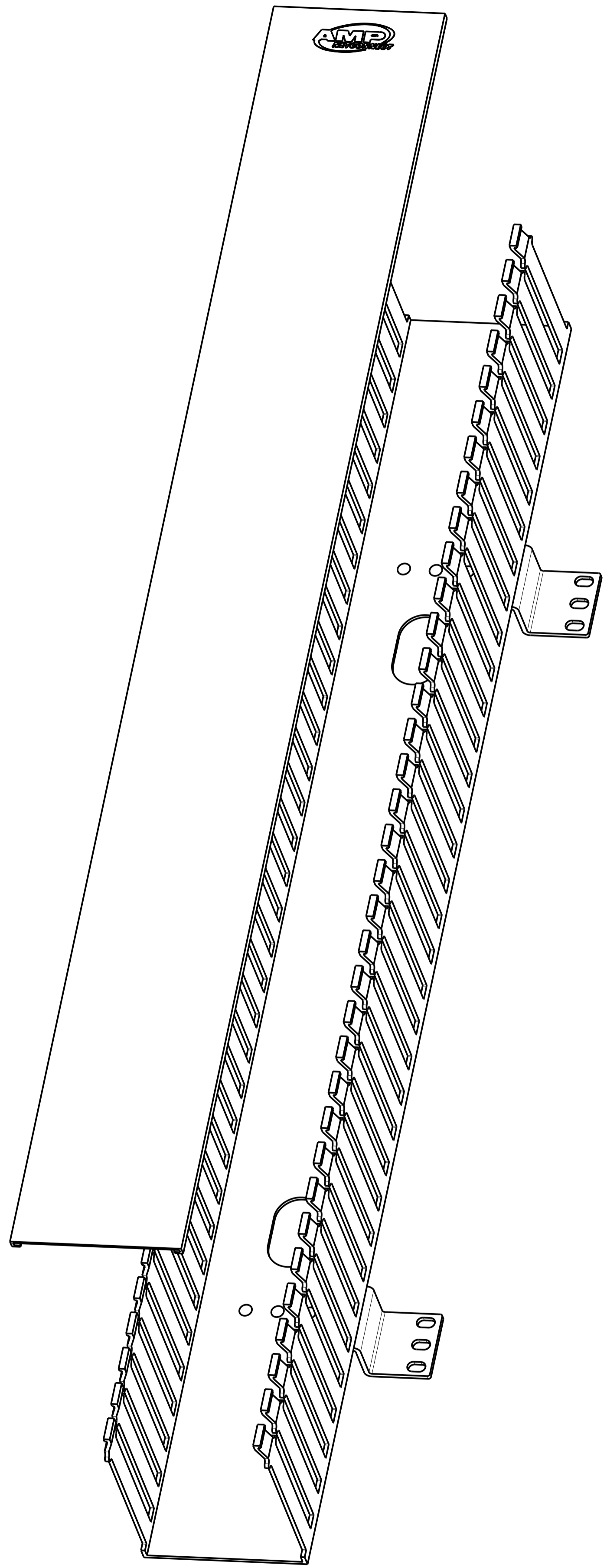
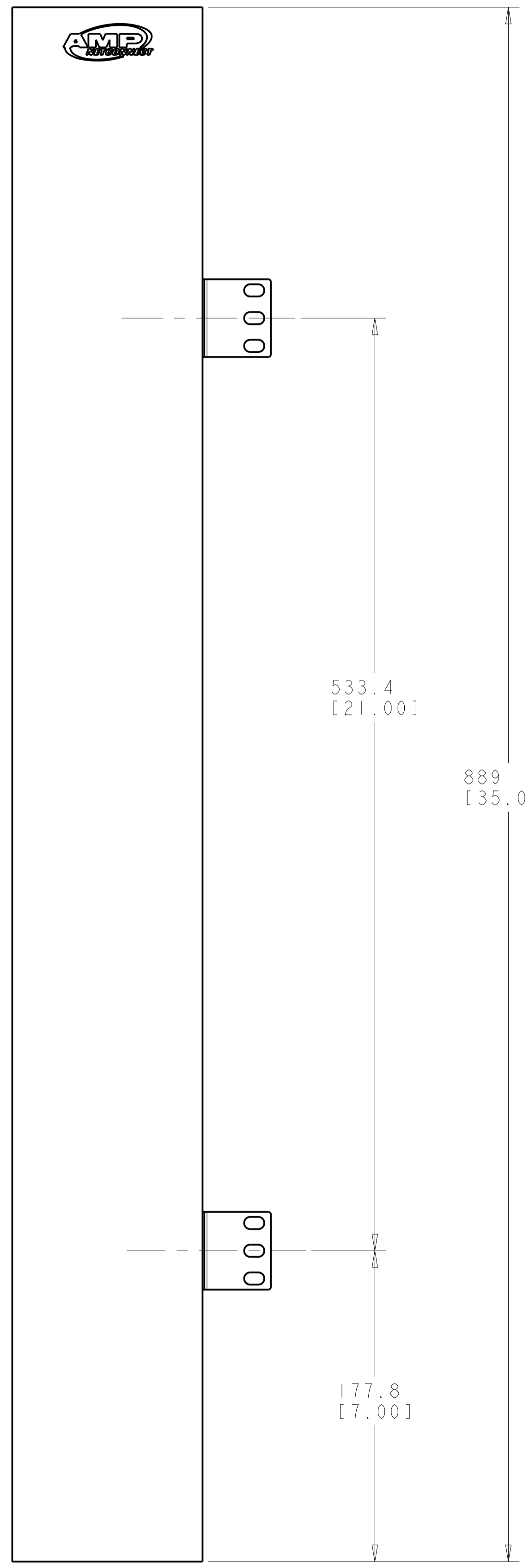


REVISIONS				
P.	LTN	DESCRIPTION	DATE	APVD
D		REV PER BNS_CD_BRAND	09FEB2017	GG DC

1. MATERIAL: ASSEMBLY - POWDER COATED ALUMINUM, AND PVC, BLACK, MATTE FINISH.
2. ALL DIMENSIONS ARE NOMINAL UNLESS OTHERWISE NOTED.



1375165-1  
PART NO.

THIS DRAWING IS A CONTROLLED DOCUMENT.		DWN L. SMITH 09-FEB-2017	COMMSCOPE, INC.	
DIMENSIONS: MM [INCHES]		CHK S. HERNDON 11AUG2000	NAME PANEL, VERT. CABLE MANAGEMENT, 35 INCH	
TOLERANCES UNLESS OTHERWISE SPECIFIED:		APVD B. DAVIS 11AUG2000	SIZE A1	
0 PLC ±	1 PLC ±	PRODUCT SPEC	RESTRICTED TO	
2 PLC ±	3 PLC ±	APPLICATION SPEC	C=1375165	
4 PLC ±	ANGLES ±	WEIGHT	SCALE 1:2 SHEET 1 OF 1 REV D	
MATERIAL	FINISH	CUSTOMER DRAWING		