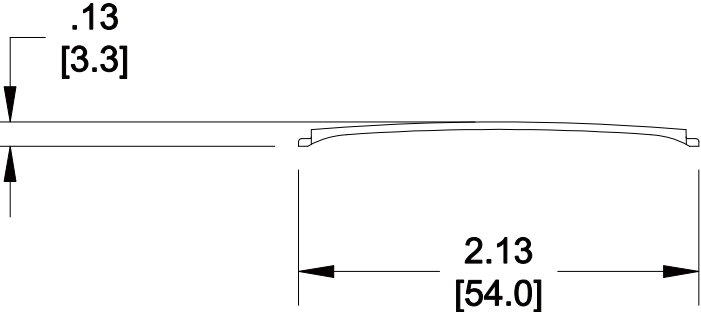
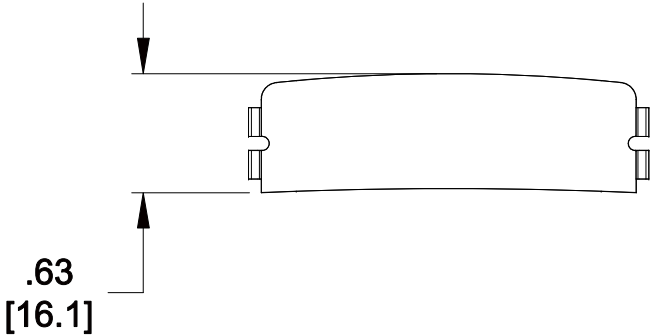


MATERIAL ID	DESCRIPTION
108492935	LE/FP TYPE FACEPLATE LABEL COVER

NOTES:

1. SEE COMMSCOPE CATALOG FOR PART NUMBER SUFFIXES TO INDICATE COLOR/PKG.
2. SEE COMMSCOPE CATALOG FOR COMPLETE LIST OF PARTS RELATED TO THE USE OF THIS PRODUCT.
3. DIMENSIONS IN PARENTHESES ARE IN METRIC.
4. PART INCLUDES:
(1) LABEL COVER



LE COVERS

COMMSCOPE, INC OF NORTH CAROLINA

1	8/3/12		INITIAL ISSUE		DRAWN BY JW	
REV	DATE	ECR	DESCRIPTION	APPROVED BY	DATE 8/3/2012	DWG NO 108492935