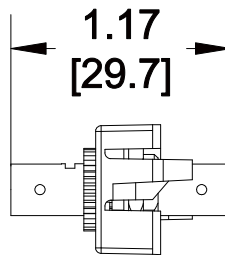
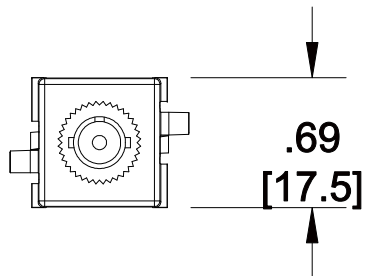
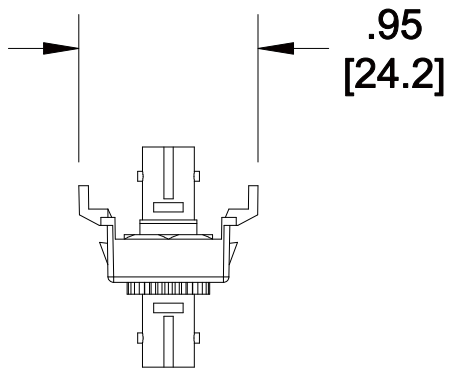


MATERIAL ID	DESCRIPTION
108009408	M81SERIES ST COUPLING/ADAPTER WITH MOUNTING MODULE



NOTES:

1. SEE COMMSCOPE CATALOG FOR PART NUMBER SUFFIXES TO INDICATE COLOR/PKG.
2. SEE COMMSCOPE CATALOG FOR COMPLETE LIST OF PARTS RELATED TO THE USE OF THIS PRODUCT.
3. DIMENSIONS IN PARENTHESES ARE IN METRIC.
4. PART INCLUDES:
 (1) HOUSING
 (1) HYBRID ST, HFA-ST01

M81ST-B

COMMSCOPE, INC OF NORTH CAROLINA

1	8/10/12		INITIAL ISSUE		DRAWN BY JW	
REV	DATE	ECR	DESCRIPTION	APPROVED BY	DATE 8/10/2012	DWG NO 108009408