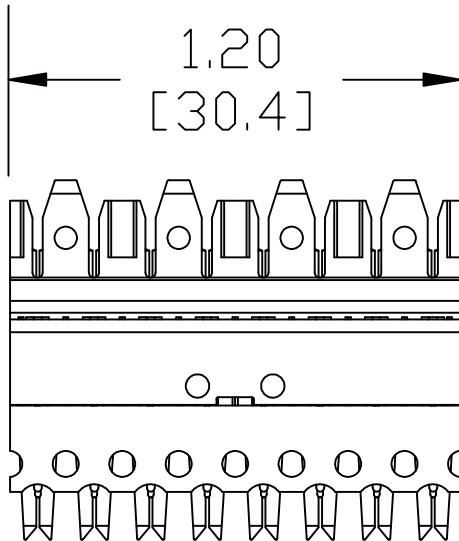
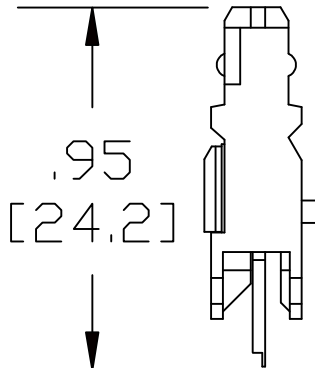


.32
[8.1]



1.20
[30.4]



.95
[24.2]

MATERIAL ID

DESCRIPTION

103801247

110 CONNECTING BLOCK, 4 PAIR

NOTES:

1. SEE COMMSCOPE CATALOG FOR PART NUMBER SUFFIXES TO INDICATE COLOR/PKG.
2. SEE COMMSCOPE CATALOG FOR COMPLETE LIST OF PARTS RELATED TO THE USE OF THIS PRODUCT.
3. DIMENSIONS IN PARENTHESES ARE IN METRIC.
4. PART INCLUDES:
(10) CONNECTING BLOCKS

110C-4 CB

COMMSCOPE, INC OF NORTH CAROLINA

1	7/12/10		INITIAL ISSUE		DRAWN BY JW		
REV	DATE	ECR	DESCRIPTION	APPROVED BY	DATE 7/12/2010		DWG NO 103801247