

639849 REVISION M, JULY 2024

MOUNTING KITS FOR WIDE PANEL ANTENNAS

BSAMNT-4, BSAMNT-M4 & BSAMNT-4-F3: MOUNTING SYSTEMS FOR CYLINDRICAL PIPE INSTALLATIONS (60-115 MM PIPE DIAMETER)

THIS DOCUMENT EXPLAINS HOW TO INSTALL AN ANTENNA USING A BSAMNT MOUNT KIT. ANTENNAS WITH TWO MOUNT POINTS WILL USE BSAMNT-4. ANTENNAS WITH THREE MOUNT POINTS WILL ALSO INCLUDE THE BSAMNT-M4. THE ANTENNA MECHANICAL TILT CAN NOT BE ADJUSTED IF BSAMNT-4-F3 IS USED.



ALL FASTENERS MUST BE TIGHTENED TO THE DEFINED TORQUE VALUE AFTER ONSITE INSTALLATION TO THE SPECIFIED TILT POSITION, INCLUDING INSTALLATION AT 0 DEGREE, SEE MOUNTING KIT INSTALLATION DIAGRAMS ON FOLLOWING PAGES FOR CORRECT TORQUE RECOMMENDATIONS.

ITEM NO.	DESCRIPTION	BSAMNT-4 QUANTITY	BSAMNT-M4 QUANTITY	BSAMNT-4-F3
1	PIPECLAMP BRACKET	2	1	3
2	BRACKET, NOTCHED	1	1	-
3	BRACKET	1	1	-
4	PLATE, TWO HOLES	2	2	-
5	U BRACKET	2	1	3
6	M8X25 SCREW	2	2	-
7	M8 LOCK WASHER	2	2	-
8	M10X25 SCREW	2	2	-
9	M10 NUT	12	8	12
10	M10 FLAT WASHER	6	4	6
11	M10X40 SCREW	6	4	6
12	M12 NUT	12	6	18
13	M12 FLAT WASHER	4	2	6
14	M12 LOCK WASHER	4	2	6
15	M12 CARRIAGE BOLT	4	2	6
16	M10 LOCK WASHER	2	2	-
17	M16 FLAT WASHER	4	2	6
18	ISOLATOR	4	2	6
19	PIPECLAMP BRACKET	2	1	3

PART LISTS



TOOL	SIZE	TORQUE RANGE
TORQUE WRENCH	13mm	25N·m
	17mm	40N·m
	19mm	58N·m

TABLE 1 INSTALLATION TOOLS LIST

ALL FASTENERS MUST BE TIGHTENED TO THE DEFINED TORQUE VALUE AFTER ONSITE INSTALLATION TO THE SPECIFIED TILT POSITION, INCLUDING INSTALLATION AT 0-DEGREE, SEE THE MOUNTING KIT INSTALLATION DIAGRAMS ON THE FOLLOWING PAGES FOR THE CORRECT TORQUE RECOMMENDATIONS.

- BRACKET EDGES PARALLEL TO EACH OTHER. (FULLY COLLAPSED POSITION)

PRE-ASSEMBLY OF DOWNTILT BRACKETS BY KIT VENDOR (NOT APPLICABLE FOR BSAMNT-F)

REQUIRED TORQUE	
M12	58N·m (43ft·lb)

CRITICAL: ASSEMBLE THE M12 NUTS MANUALLY FIRST AND THEN TIGHTEN BY TORQUE WRENCH WITH INTERCHANGEABLE RING HEAD.

**PRE-ASSEMBLY OF PIPE BRACKET BY FIELD INSTALLER
(BSAMNT-4 QTY 2 EA)
(BSAMNT-M4 QTY 1 EA)
(BSAMNT-4-F3 QTY 3 EA)**

REQUIRED TORQUE	
M8	25N·m (18ft·lb)
M10	40N·m (30ft·lb)
M12	58N·m (43ft·lb)

CRITICAL: THE M10 FASTENERS SET DIRECTION CAN BE REVERSED PER SITE CONDITION AND TOOLS

CRITICAL: FOR INITIAL INSTALLATION TO PIPE, DOWNTILT BRACKETS MUST BE CONFIGURED IN PRE-ASSEMBLY POSITION (FULLY COLLAPSED).

DETAIL A

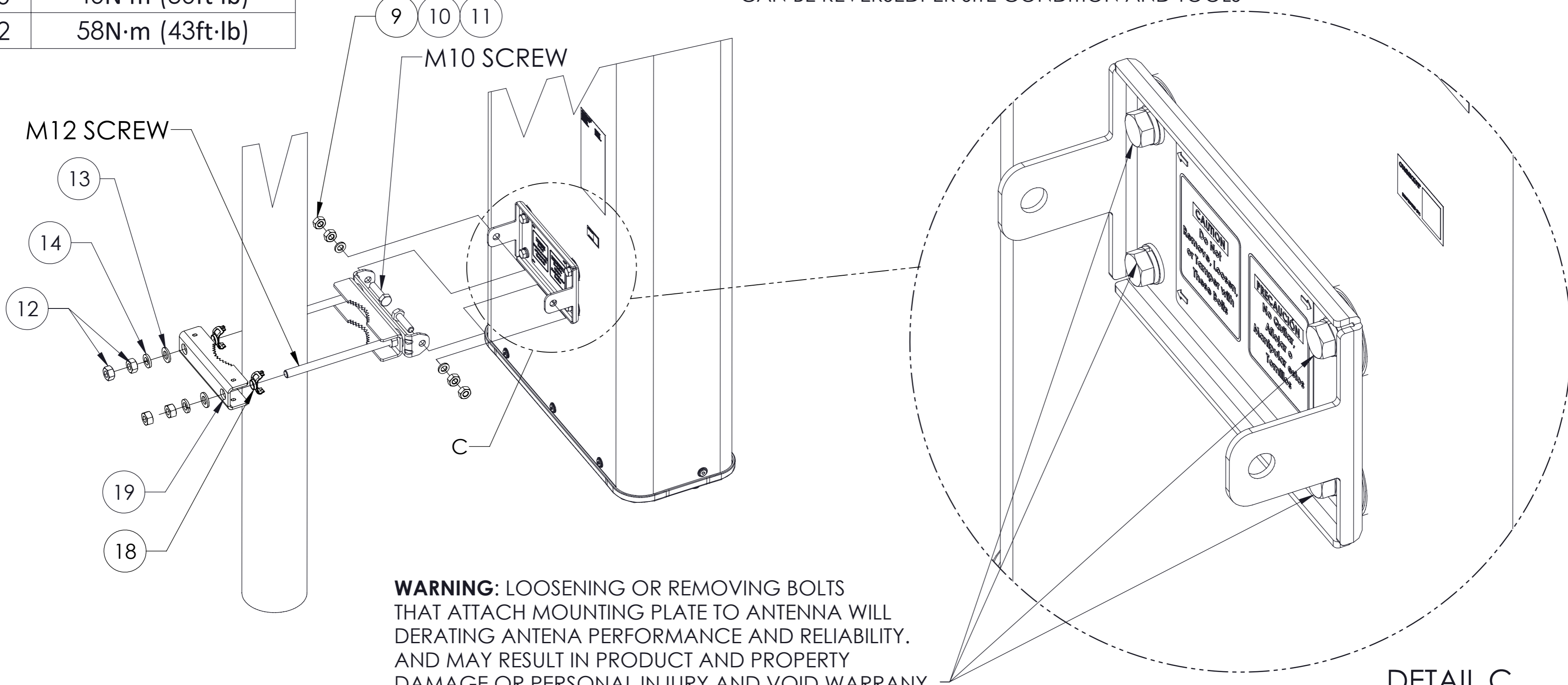
DETAIL B

WARNING: LOOSENING OR REMOVING BOLTS THAT ATTACH MOUNTING PLATE TO ANTENNA WILL DERATING ANTENNA PERFORMANCE AND RELIABILITY. AND MAY RESULT IN PRODUCT AND PROPERTY DAMAGE OR PERSONAL INJURY AND VOID WARRANTY.

TOP / MIDDLE MOUNT INSTALLATIONS

REQUIRED TORQUE	
M10	40N·m (30ft·lb)
M12	58N·m (43ft·lb)

CRITICAL: THE M10 FASTENERS SET DIRECTION CAN BE REVERSED PER SITE CONDITION AND TOOLS



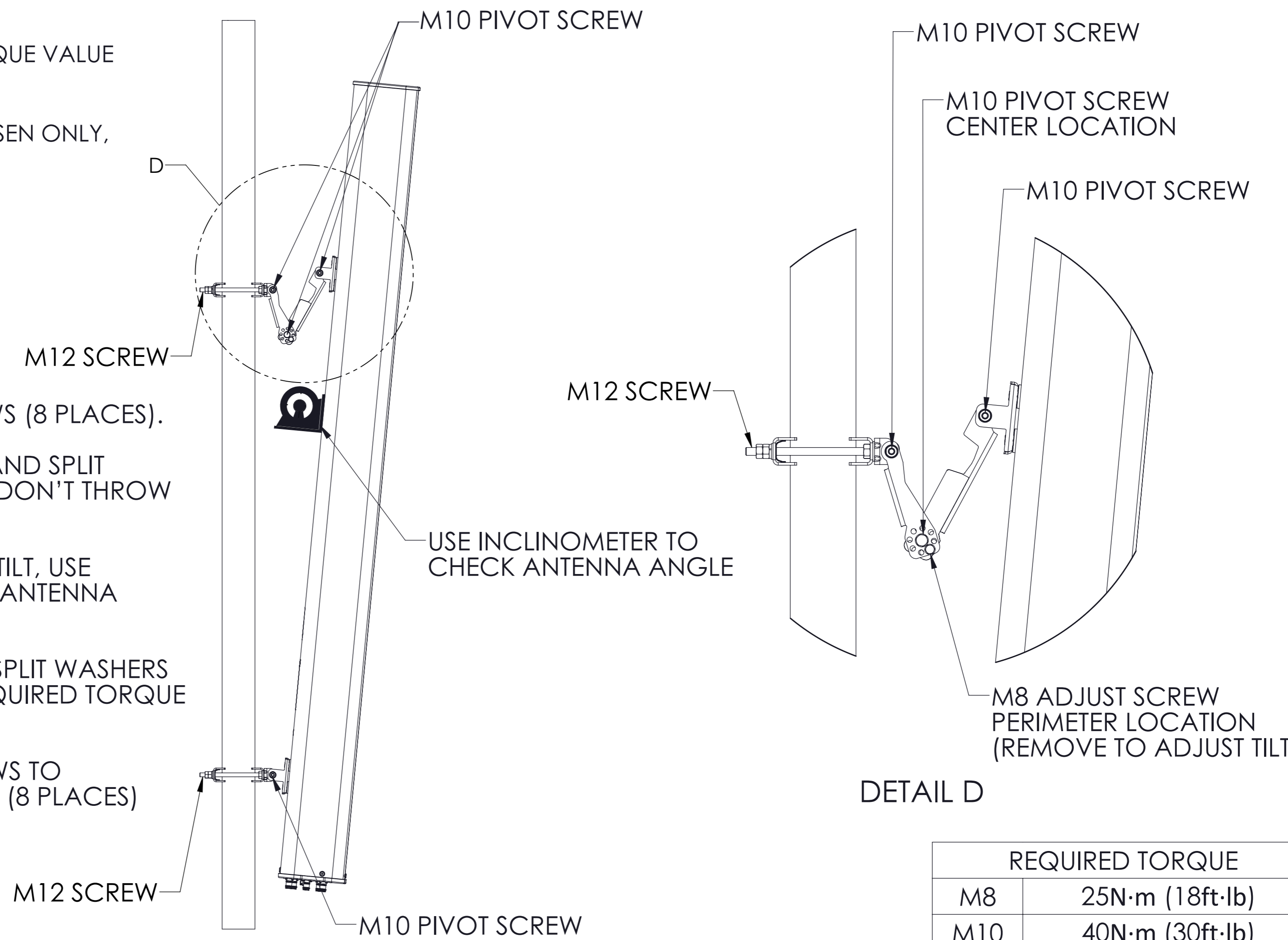
WARNING: LOOSENING OR REMOVING BOLTS THAT ATTACH MOUNTING PLATE TO ANTENNA WILL DERATING ANTENNA PERFORMANCE AND RELIABILITY. AND MAY RESULT IN PRODUCT AND PROPERTY DAMAGE OR PERSONAL INJURY AND VOID WARRANTY.

DETAIL C

**BOTTOM MOUNT INSTALLATION
TOP & MIDDLE MOUNT INSTALLATION SAME AS BOTTOM FOR BSAMNT-4-F3**

CRITICAL:

- MAKE SURE THE M12 SCREWS MUST BE TIGHTENED PER TORQUE VALUE BEFORE ADJUSTING THE TILT.
- ALL M10 PIVOT SCREWS LOOSEN ONLY, DO NOT REMOVE!
- LOOSEN M10 PIVOT SCREWS (8 PLACES).
- REMOVE THE M8 SCREWS AND SPLIT WASHERS (2 PLACES), BUT DON'T THROW THEM AWAY.
- ADJUST THE MECHANICAL TILT, USE INCLINOMETER TO CHECK ANTENNA ANGLE.
- INSTALL M8 SCREWS AND SPLIT WASHERS BACK AND TIGHTEN TO REQUIRED TORQUE VALUE. (2 PLACES)
- TIGHTEN M10 PIVOT SCREWS TO REQUIRED TORQUE VALUE. (8 PLACES)



USE INCLINOMETER TO CHECK ANTENNA ANGLE

DETAIL D

REQUIRED TORQUE	
M8	25N·m (18ft·lb)
M10	40N·m (30ft·lb)
M12	58N·m (43ft·lb)

ADJUSTING ANTENNA TILT - 2 POINT MOUNT

