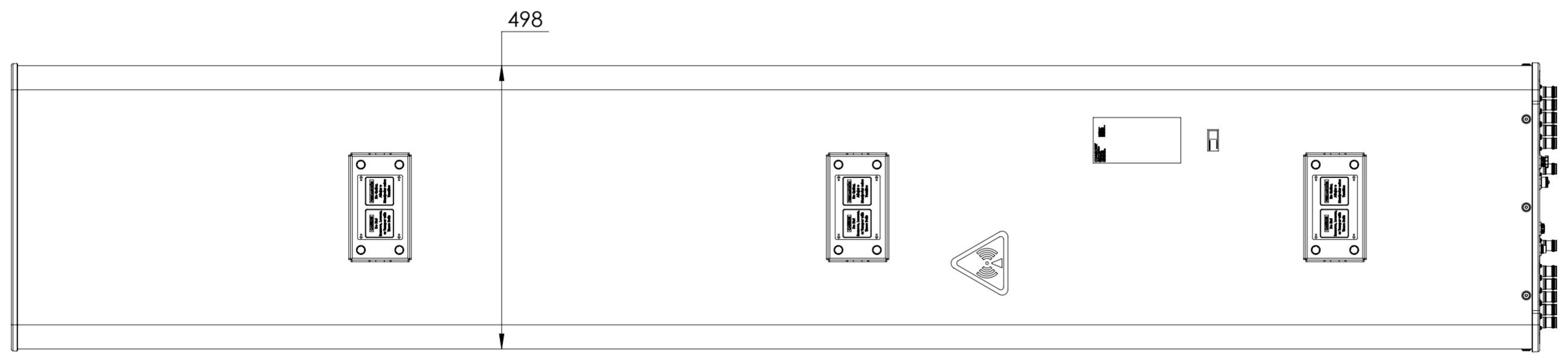
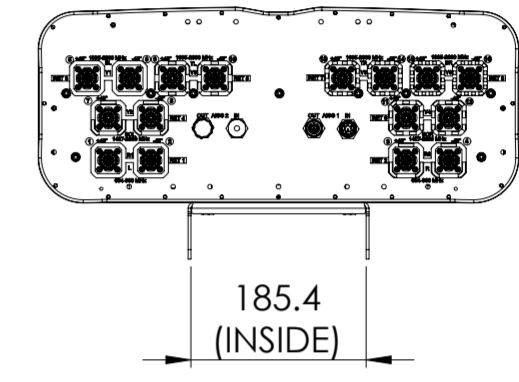
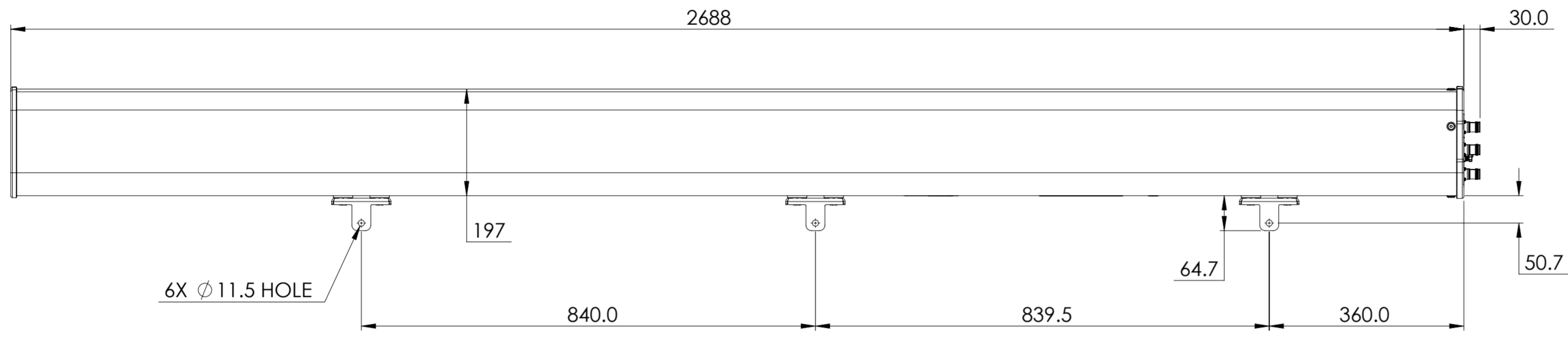


REVISIONS			
REV.	DESCRIPTION	DATE	APPROVED
A	ECR 8000039712: REL TO PRODUCTION PER EAO 608019.	21MAR20 QF	GZB/REX



RRZZV4-65D-R8H4

**COMMSCOPE, INC. OF NORTH CAROLINA**

TOLERANCES		SAP MATERIAL MASTER	
0 PLACE X ±	2 PLACE .XX ±		
1 PLACE .X ±	ANGLES ±		
FINISH		MATERIAL	
<small>UNLESS OTHERWISE SPECIFIED DIMENSIONS ARE IN MILLIMETERS INTERPRET PER ISO STANDARDS HANDBOOK TECHNICAL DRAWINGS VOLUMES 1 &amp; 2, THIRD EDITION (2002)</small>		NAME	DATE
		CE QW1004	03/21/2020
		RW QW1004	03/31/2020
		RV ZG1008	03/31/2020
		AD YHUAN	03/31/2020
RE ZHHCHEN	03/31/2020	<b>PRODUCT DRAWING</b> SCALE: <b>1:8</b> DOCUMENT NO: <b>RRZZV4-65D-R8H4-L</b>	
ECN 8000039712-O			
DENSITY	g/mm <sup>3</sup>	SIZE	WORK AREA 23
MASS	grams	MODEL	REVISION
VOLUME	mm <sup>3</sup>	STATUS	REVISION
SURFACE AREA	mm <sup>2</sup>	VERSION	REVISION
HEIGHT		00	RE
LENGTH		A	A
WIDTH		00	RE
		A	A

SHEET 1 OF 1