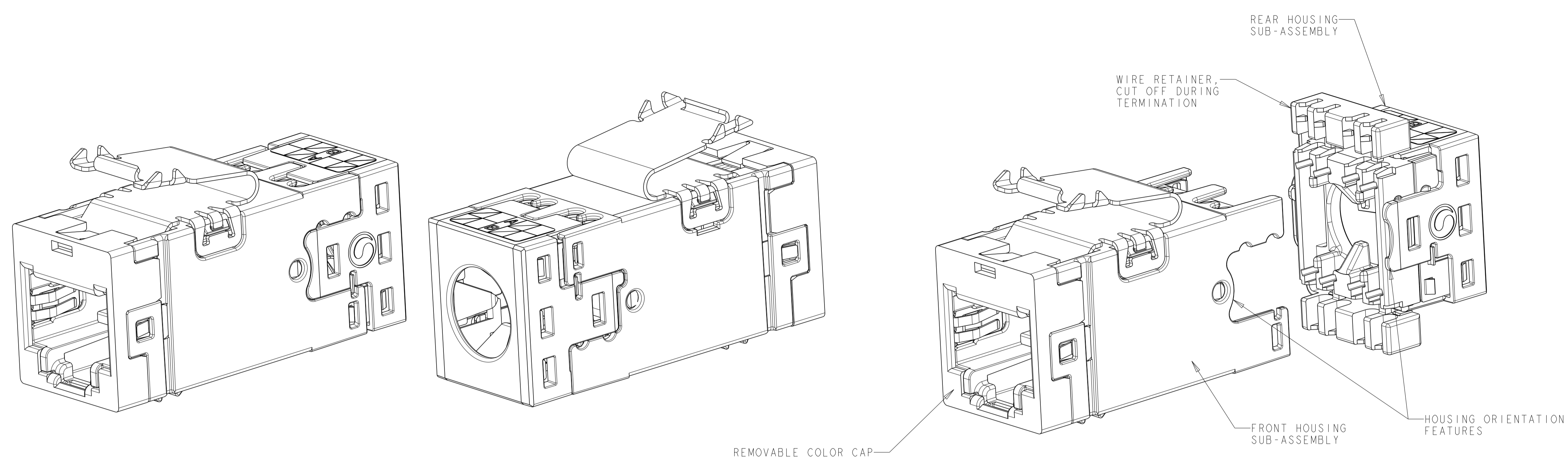
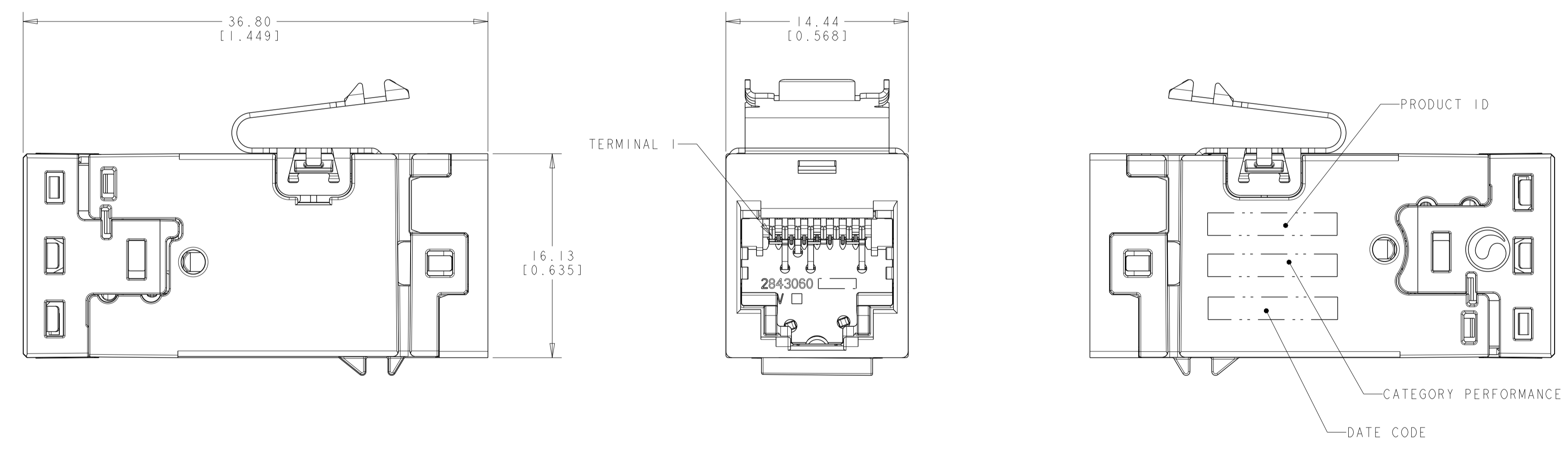


REVISIONS			
REV	CMO	DATE	APPROVED
A	40105374CMO	03-FEB-20	JH

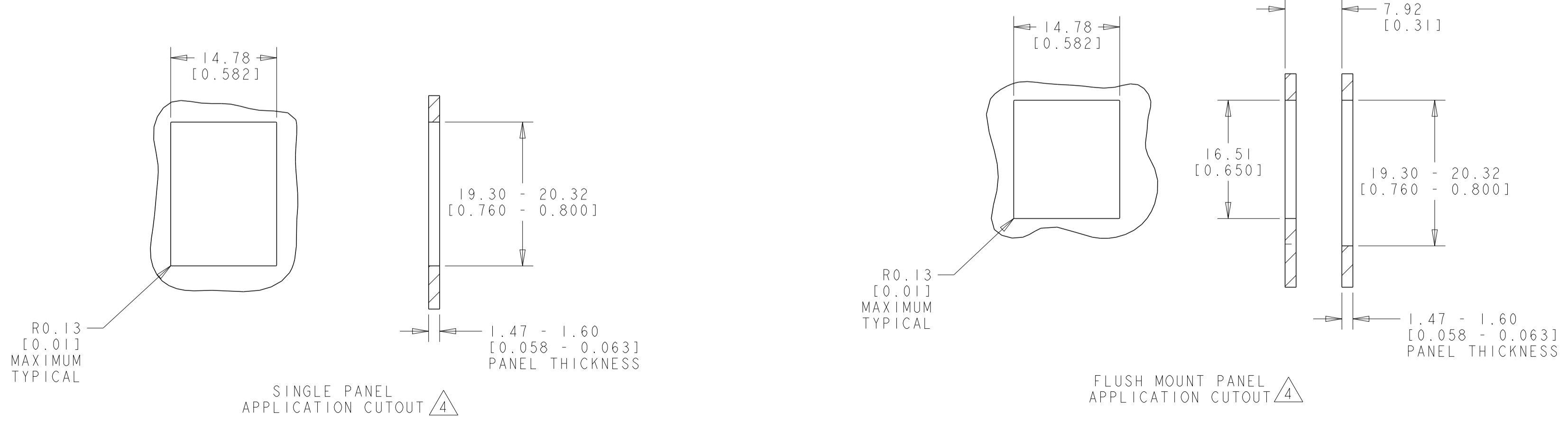


- MATERIAL:
 - JACK HOUSING - ZINC ALLOW (ZAMAK 2)
 - IDC BLOCK AND LACING FIXTURE - POLYCARBONATE
 - ARRAY TRAY - PBT POLYESTER
 - JACK CONTACTS ARRAY - BERYLLIUM COPPER, PLATED WITH 1.27µm [0.00050] MINIMUM THICK GOLD IN LOCALIZED AREA AND 3.81µm [0.00150] MINIMUM THICK MATTE TIN IN BOARD INTERFACE AREA OVER 1.27µm [0.00050] MINIMUM THICK NICKEL UNDERPLATE.
 - IDC TERMINALS - PHOSPHOROUS BRONZE, PLATED WITH 3.81µm [0.0015] MINIMUM THICK MATTE TIN OVER 1.27µm [0.0005] MINIMUM THICK NICKEL UNDERPLATE
- SLX JACK WILL TERMINATE 22-26 AWG SOLID OR 24-26 AWG STRANDED CONDUCTORS, 1.60 [0.063] MAXIMUM INSULATION DIAMETER.
- MOUNTING PANEL THICKNESS 1.47 - 1.60 [0.058 - .063].
- ⚠ THESE TWO SUGGESTED CUTOUT OPENINGS ARE USED IN TANDEM WITH DUAL FRONT AND BACK CUTOUTS.
- ONE MODULAR JACK ASSEMBLY PER POLYBAG.
- REFER TO 860638777 FOR TERMINATION INSTRUCTIONS.
- REFER TO PRODUCT SPEC 108-93052.



COLOR CODE	IDC TERMINAL	MODULAR JACK	COLOR CODE	IDC TERMINAL	MODULAR JACK
WHITE/BLUE	5	5	WHITE/BLUE	5	5
BLUE	4	4	BLUE	4	4
WHITE/ORANGE	3	1	WHITE/ORANGE	1	1
ORANGE	6	2	ORANGE	2	2
WHITE/GREEN	1	3	WHITE/GREEN	3	3
GREEN	2	6	GREEN	6	6
WHITE/BROWN	7	7	WHITE/BROWN	7	7
BROWN	8	8	BROWN	8	8

ELECTRICAL SCHEMATIC 568A ELECTRICAL SCHEMATIC 568B



COLOR	CATEGORY 6		CATEGORY 6A	
	NO DUST COVER	DUST COVER	NO DUST COVER	DUST COVER
ALMOND	2153448-1	2153364-1	2153449-1	2153365-1
BLACK	2153448-2	2153364-2	2153449-2	2153365-2
GRAY	2153448-4	2153364-4	2153449-4	2153365-4
ORANGE	2153448-5	2153364-5	2153449-5	2153365-5
BLUE	2153448-6	2153364-6	2153449-6	2153365-6
RED	2153448-7	2153364-7	2153449-7	2153365-7
YELLOW	2153448-8	2153364-8	2153449-8	2153365-8
GREEN	2153448-9	2153364-9	2153449-9	2153365-9
WHITE	1-2153448-3	1-2153364-3	1-2153449-3	1-2153365-3

COMMSCOPE, INC.

UNITS	mm [INCHES]	DRAFTER	G. GARRETT	TITLE	AMP-TWIST SLX, 6S
TOLERANCE	VALUE	ENGINEER	J. HIGGINS	SIZE	A
0 PLC	-	SCALE	4:1	DOCUMENT NO.	A20102281
1 PLC	-	REVISION	A	SHEET	1 OF 1
2 PLC	-	CUSTOMER DRAWING			
3 PLC	-				
4 PLC	-				
ANGLE TOL	-				
SURFACE TOL	-				