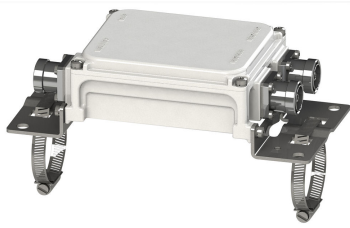


# E11F02P47



Diplexer, 1695-2180/2300-2690 MHz, dc bypass on 2300-2600 port

This product will be discontinued on: December 30, 2024

Replaced By:

E14F06P48

Twin Diplexer, 1350-2200 / 2300-2700 MHz, dc bypass all ports, 4.3-10 connectors

## Product Classification

**Product Type** Diplexer

## General Specifications

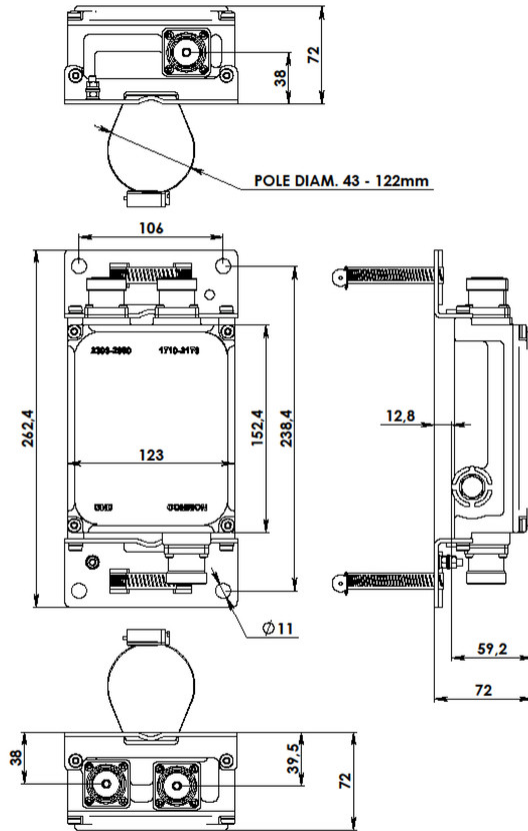
**Product Family** CBC1726  
**Color** Gray  
**Common Port Label** COMM  
**Modularity** 1-Single  
**Mounting** Pole | Wall  
**Mounting Pipe Hardware** Band clamps (2)  
**RF Connector Interface** 7-16 DIN Female  
**RF Connector Interface Body Style** Long neck

## Dimensions

**Height** 152.4 mm | 6 in  
**Width** 123 mm | 4.843 in  
**Depth** 59 mm | 2.323 in  
**RF Connector Length** 25 mm | 0.984 in  
**Ground Screw Diameter** 6 mm | 0.236 in  
**Mounting Pipe Diameter Range** 42.6–122 mm

# E11F02P47

## Outline Drawing



## Electrical Specifications

<b>Impedance</b>	50 ohm
<b>License Band, Band Pass</b>	AWS 1700   DCS 1800   IMT 2100   IMT 2600   PCS 1900   WCS 2300

## Electrical Specifications, dc Power/Alarm

<b>dc/AISG Pass-through, combiner</b>	Branch 2
<b>dc/AISG Pass-through, demultiplexer</b>	Branch 2
<b>Lightning Surge Current</b>	3 kA
<b>Lightning Surge Current Waveform</b>	10/350 waveform

# E11F02P47

---

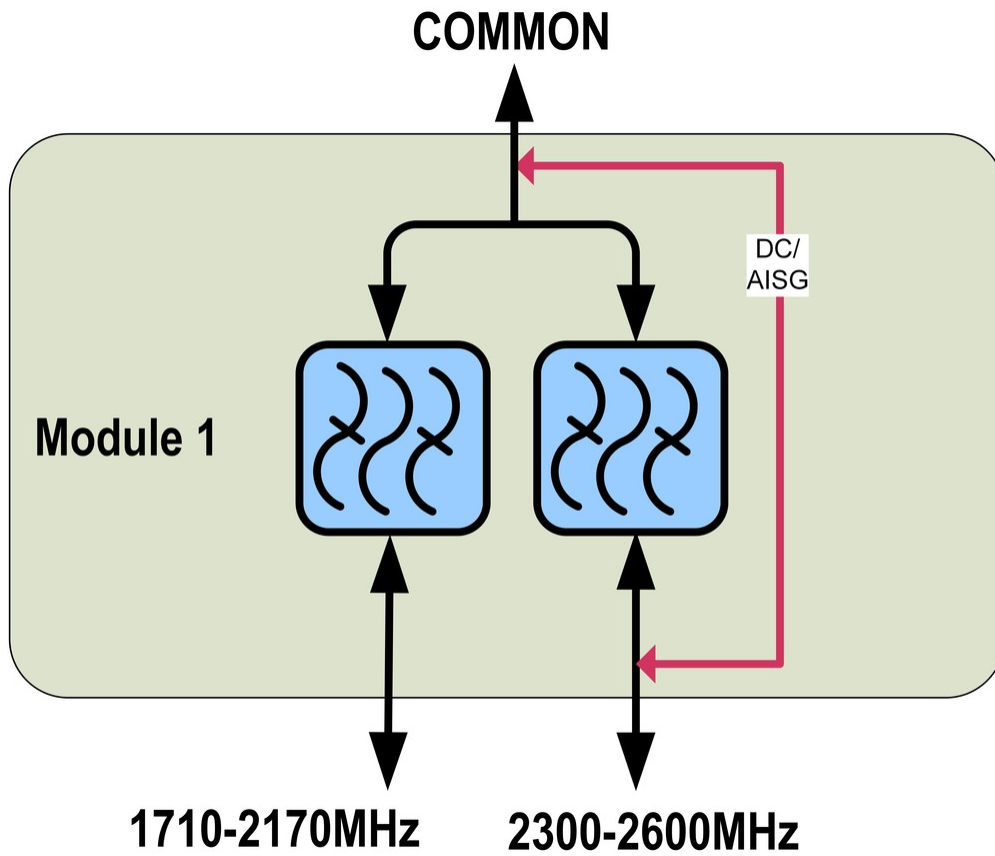
## Electrical Specifications

<b>Sub-module</b>	<b>1</b>	<b>1</b>
<b>Branch</b>	1	2
<b>Port Designation</b>	1695-2180	2300-2690
<b>License Band</b>	AWS 1700, Band Pass DCS 1800, Band Pass IMT 2100, Band Pass PCS 1900, Band Pass	IMT 2600, Band Pass WCS 2300, Band Pass

## Electrical Specifications, Band Pass

<b>Frequency Range, MHz</b>	<b>1695–2180</b>	<b>2300–2690</b>
<b>Insertion Loss, typical, dB</b>	0.3	0.35
<b>Total Group Delay, maximum, ns</b>	30	30
<b>Return Loss, minimum, dB</b>	18	18
<b>Return Loss, typical, dB</b>	20	20
<b>Isolation, minimum, dB</b>	50	50
<b>Input Power, PEP, maximum, W</b>	3500	3500
<b>3rd Order PIM, typical, dBc</b>	-157	-157
<b>3rd Order PIM Test Method</b>	Two +43 dBm carriers	Two +43 dBm carriers

## Block Diagram



## Environmental Specifications

<b>Operating Temperature</b>	-40 °C to +60 °C (-40 °F to +140 °F)
<b>Relative Humidity</b>	Up to 100%
<b>Corrosion Test Method</b>	IEC 60068-2-11, 30 days
<b>Ingress Protection Test Method</b>	IEC 60529:2001, IP67

## Packaging and Weights

<b>Included</b>	Mounting hardware
<b>Volume</b>	1.1 L
<b>Weight, net</b>	2.4 kg   5.291 lb