



DryLine® Dehydrator, Low-pressure membrane, 2.0–5.0 psig, with discrete alarm, 240 Vac, 50/60 Hz

OBSOLETE

This product was discontinued on: May 1, 2018

Product Classification

Product Type	Dehydrator
Product Brand	DryLine®

General Specifications

Alarm Type	Discrete
Circuit Breaker Requirement	Electrical connections require separate circuits for dehydrator installation
Cut In Pressure	14 kPa 2.031 psig
Cut In/Out Pressure Type	Factory set
Cut Out Pressure	34 kPa 4.931 psig
Dehydrator Type	Automatic Membrane
Dew Point	Better than -45 °C (-50 °F) at 95% RH at +40 °C (+104 °F)
Excess-Run Alarm	10 minutes, factory set
Flow Rate, nominal	56.3 SLPM
High-Humidity Alarm	7.5% RH, factory set
Low-Pressure Alarm	68 mbar 7 kPa 1 psig
Mounting	Floor
Port Count	1
Port Type	3/8 in PE tube
Power Cord	Europe power cord with stripped leads USA power cord
Power-Fail Alarm	Loss of input power

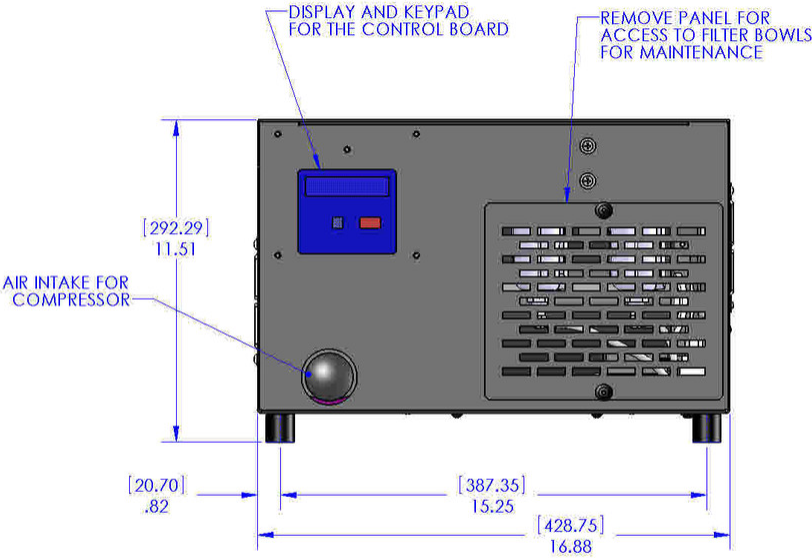
SAHARA2A

Dimensions

Product Height	266.7 mm 10.5 in
Product Width	431.8 mm 17 in
Product Depth	381 mm 15 in
Volume Capacity, maximum	31.149 m ³ 1100 ft ³
Volume Capacity, minimum	2.832 m ³ 100.001 ft ³

SAHARA2A

Outline Drawing–Front

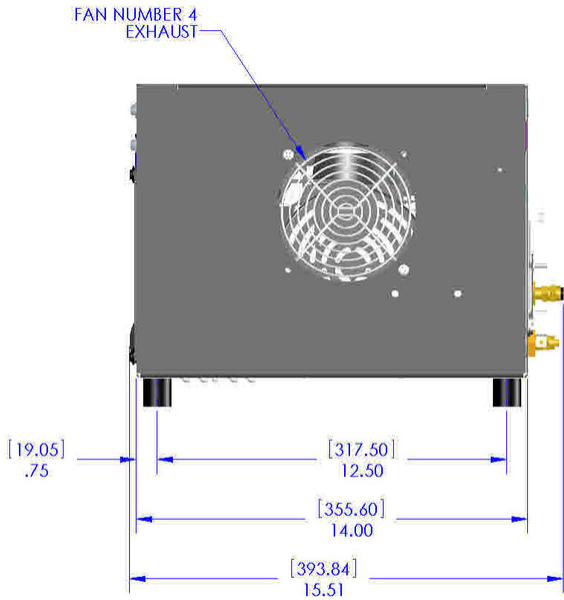


SAHARA FRONT VIEW

1. THIS UNIT IS DESIGNED TO SET ON A COUNTER OR THE FLOOR DUE TO ITS WEIGHT.
2. MAKE SURE TO LEAVE PLENTY OF ROOM AROUND THE UNIT FOR AIRFLOW AND COOLING.
3. DIMENSIONS ARE AS FOLLOWS: [] MILLIMETERS, INCHES

SAHARA2A

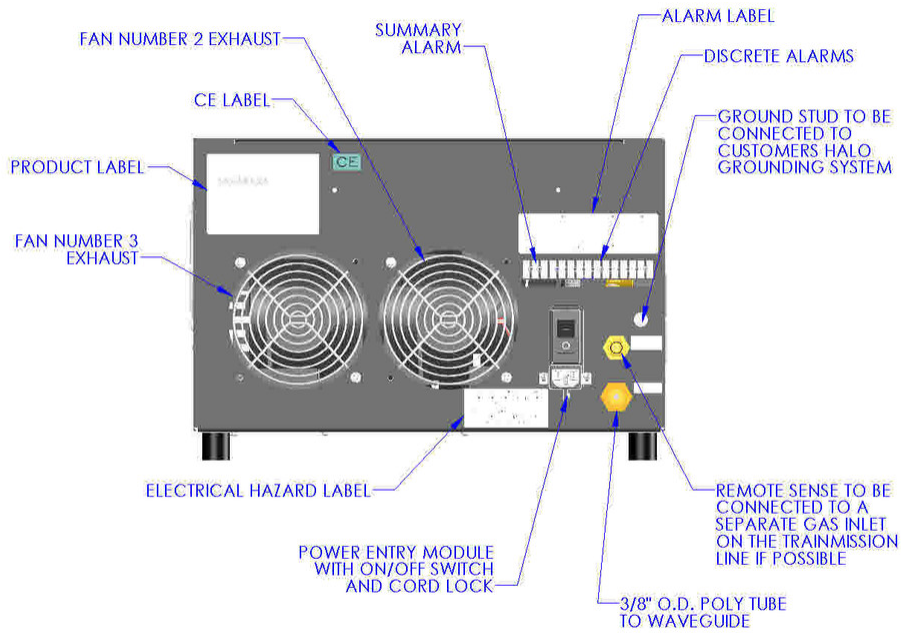
Outline Drawing–Side



SAHARA SIDE VIEW

SAHARA2A

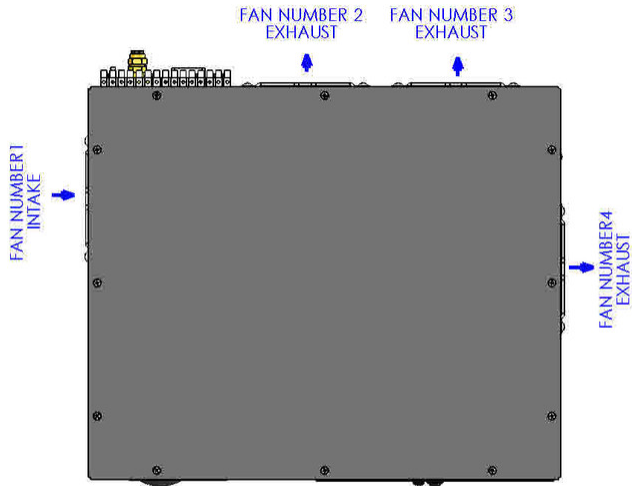
Outline Drawing–Back



SAHARA BACK VIEW

SAHARA2A

Outline Drawing–Top



SAHARA TOP VIEW

Electrical Specifications

Alarm Contact Rating	Form C dry contacts, 2 amps at 30 Vdc
Power Consumption, average	925 W
Power Frequency	60/50 Hz
Power Phase	Single
Suggested Circuit Breaker Size	30 A
Voltage	240 Vac \pm 10%
Voltage Type	ac

Environmental Specifications

Operating Temperature	-10 °C to +40 °C (+14 °F to +104 °F)
------------------------------	--------------------------------------

Packaging and Weights

Included	3/8 in polyethylene tubing 90° elbow fitting Ball valve Male connector fitting PTFE tape Power cord Power cord connector lock Screws
-----------------	--

Weight, net	25 kg 55.115 lb
--------------------	-------------------

SAHARA2A

Regulatory Compliance/Certifications

Agency	Classification
CHINA-ROHS	Above maximum concentration value
ROHS	Compliant/Exempted

