

CMAX-OMF1-43-V53



Cell-Max™ Low PIM Omni MIMO In-building Antenna, 698–960 MHz and 1710–2700 MHz, 4.3-10

OBSOLETE

This product was discontinued on: July 30, 2022

Replaced By:

CMAX-OMF8-43-UW153 Cell-Max™ Low PIM Omni MIMO In-building Antenna, 617-6000 MHz

Product Classification

Product Type In-building antenna
Product Brand Cell-Max™

General Specifications

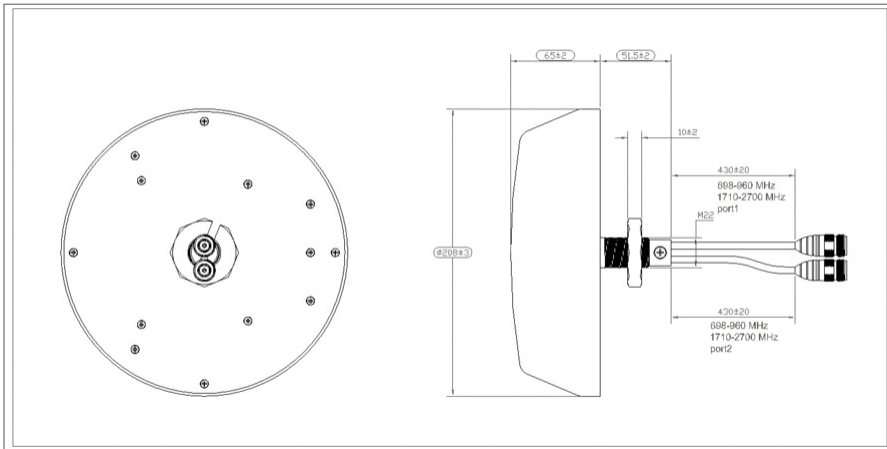
Application Indoor
Antenna Type Omni
Antenna Array Characteristic MIMO 2x2
Color White (RAL 9016)
Mounting Thru-hole ceiling mount (optional)
Mounting Note For antenna installation on metal ceilings, please contact your local CommScope representative
Number of Ports 2
Pigtail Cable 670-141SXE, plenum rated
Radome Material ABS
RF Connector Interface 4.3-10 Female

Dimensions

Height 65 mm | 2.559 in
Pigtail Length 500 mm | 19.685 in
Outer Diameter 208 mm | 8.189 in

CMAX-OMF1-43-V53

Outline Drawing



Electrical Specifications

Impedance	50 ohm
Operating Frequency Band	1710 – 2700 MHz 698 – 960 MHz
Electrical Note	Values typical, unless otherwise stated

Electrical Specifications

Frequency Band, MHz	698–800	800–960	1710–2200	2200–2700
Gain, dBi	4	4.3	5.3	5.5
Beamwidth, Horizontal, degrees	360	360	360	360
Isolation, Cross Polarization, dB	18	18	18	18
VSWR Return loss, dB	1.5 14.0	1.5 14.0	1.5 14.0	1.5 14.0
PIM, 3rd Order, 2 x 20 W, dBc	-153	-153	-153	-153
Input Power per Port, maximum, watts	50	50	50	50

Environmental Specifications

Operating Temperature	-40 °C to +60 °C (-40 °F to +140 °F)
Relative Humidity	Up to 100%

Packaging and Weights

Height, packed	200 mm 7.874 in
Width, packed	210 mm 8.268 in

CMAX-OMF1-43-V53

Length, packed	165 mm 6.496 in
Weight, gross	0.6 kg 1.323 lb
Weight, net	0.5 kg 1.102 lb

Regulatory Compliance/Certifications

Agency	Classification
CHINA-ROHS	Below maximum concentration value
ISO 9001:2015	Designed, manufactured and/or distributed under this quality management system
REACH-SVHC	Compliant as per SVHC revision on www.commscope.com/ProductCompliance
ROHS	Compliant
UK-ROHS	Compliant

