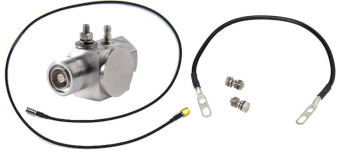


ATBTK-FM



Bias Tee Kit, AISG Compatible 698 - 2170 MHz

OBSOLETE

This product was discontinued on: June 1, 2017

Product Classification

Product Type RET bias tee

General Specifications

Antenna Interface 7-16 DIN Male

BTS Interface 7-16 DIN Female

Dimensions

Height 193.8 mm | 7.63 in

Width 2,194.6 mm | 86.402 in

Depth 172.7 mm | 6.799 in

Packaging and Weights

Weight, net 1.3 kg | 2.866 lb

Regulatory Compliance/Certifications

Agency	Classification
ISO 9001:2015	Designed, manufactured and/or distributed under this quality management system

Included Products

- | | | |
|----------------|---|---|
| ABT-DMDF-ADBA | - | AISG dc 2.1 Dual Band Bias Tee Surge Arrestor, 698–806 MHz, 806–960 MHz and 1710–2180 MHz, with interface types DIN Male and DIN Female |
| C100-PSMSB-12M | - | CNT-100 CNT® Jumper with interface types SMA Male and SMB Male, 12 m |

ABT-DMDF-ADBA



AISG dc 2.1 Dual Band Bias Tee Surge Arrester, 698–806 MHz, 806–960 MHz and 1710–2180 MHz, with interface types DIN Male and DIN Female

- AISG dc 2.1 bias tee passes both dc and 2.176 MHz subcarrier

Product Classification

Product Type	Surge arrester
Ordering Note	ANDREW® non-standard product

General Specifications

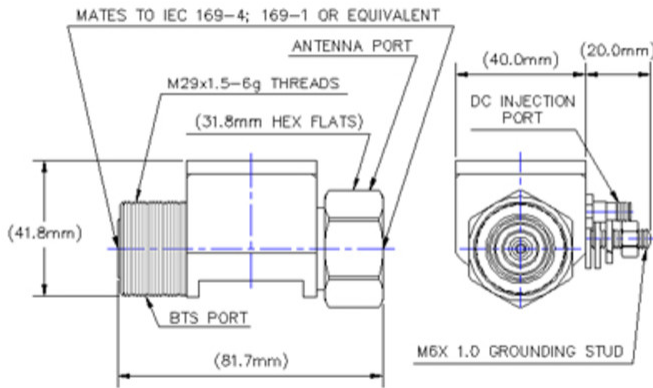
Antenna Interface Signal	AISG RF dc
Body Style	Straight
BTS Interface Signal	RF dc Blocked
Injector Port Interface	SMA Female
Injector Port Interface Signal	AISG dc
Inner Contact Plating	Silver
Interface	7-16 DIN Male
Interface 2	7-16 DIN Female
Interface Port	Antenna
Interface 2 Port	BTS
Outer Contact Plating	Trimetal
Pressurizable	No

Dimensions

Height	42 mm 1.654 in
Width	40 mm 1.575 in
Length	82 mm 3.228 in

Outline Drawing

ABT-DMDF-ADBA



Electrical Specifications

3rd Order IMD	-116 dBm
3rd Order IMD Test Method	Two +43 dBm carriers
Insertion Loss, typical	0.1 dB
AISG Frequency	2.0 – 2.3 MHz
Average Power at Frequency	350.0 W @ 1,940 MHz 500.0 W @ 883 MHz
Connector Impedance	50 ohm
dc Injector Port Inner Contact Plating	Gold
Injector Port to Antenna Isolation, minimum	50 dB
Injector Port to Antenna Return Loss	15 dB
Lightning Surge Capability	10 times @ 6 kA
Lightning Surge Capability Test Method	IEEE C62.42-1991
Operating Frequency Band	1710 – 2000 MHz 2000 – 2180 MHz 698 – 806 MHz 806 – 960 MHz
Peak Power, maximum	12 kW
Throughput Current, continuous	2 A
Throughput Current, maximum	3 A
Voltage Range	-30 V to 30 V

VSWR/Return Loss

Frequency Band	VSWR	Return Loss (dB)
----------------	------	------------------

ABT-DMDF-ADBA

698–806 MHz	1.135	23.98
806–960 MHz	1.135	23.99
960–1710 MHz	1.094	26.96
1710–2000 MHz	1.135	23.99
2000–2180 MHz	1.094	26.96

Mechanical Specifications

Attachment Durability	25 cycles
Coupling Nut Proof Torque	220 in lb 24.857 N-m
Coupling Nut Retention Force	1,000.85 N 225 lbf
Coupling Nut Retention Force Method	MIL-C-39012C-3.25, 4.6.22
Interface Durability	500 cycles
Interface Durability Method	IEC 61169-16:9.5
Mechanical Shock Test Method	MIL-STD-202F, Method 213B, Test Condition C

Environmental Specifications

Operating Temperature	-40 °C to +65 °C (-40 °F to +149 °F)
Storage Temperature	-40 °C to +65 °C (-40 °F to +149 °F)
Attenuation, Ambient Temperature	20 °C 68 °F
Average Power, Ambient Temperature	40 °C 104 °F
Corrosion Test Method	MIL-STD-202, Method 101, Test Condition B
Immersion Depth	1 m
Immersion Test Mating	Mated
Immersion Test Method	IEC 60529:2001, IP68
Moisture Resistance Test Method	MIL-STD-202, Method 106
Thermal Shock Test Method	MIL-STD-202, Method 107, Test Condition A-1, Low Temperature -55 °C
Vibration Test Method	MIL-STD-202F, Method 204D, Test Condition B
Water Jetting Test Mating	Mated
Water Jetting Test Method	IEC 60529:2001, IP66

Packaging and Weights

Weight, net	0.517 kg 1.14 lb
--------------------	--------------------

Regulatory Compliance/Certifications

ABT-DMDF-ADBA

Agency

AISG
ISO 9001:2015



Classification

Compliant
Designed, manufactured and/or distributed under this quality management system

C100-PSMSB-12M

CNT-100 CNT® Jumper with interface types SMA Male and SMB Male,
12 m



Product Classification

Product Type	Braided cable assembly
Product Brand	CNT®
Product Series	CNT-100

General Specifications

Body Style, Connector A	Straight
Body Style, Connector B	Straight
Cable Family	CNT-100
Interface, Connector A	SMA Male
Interface, Connector B	SMB Male
Specification Sheet Revision Level	A

Dimensions

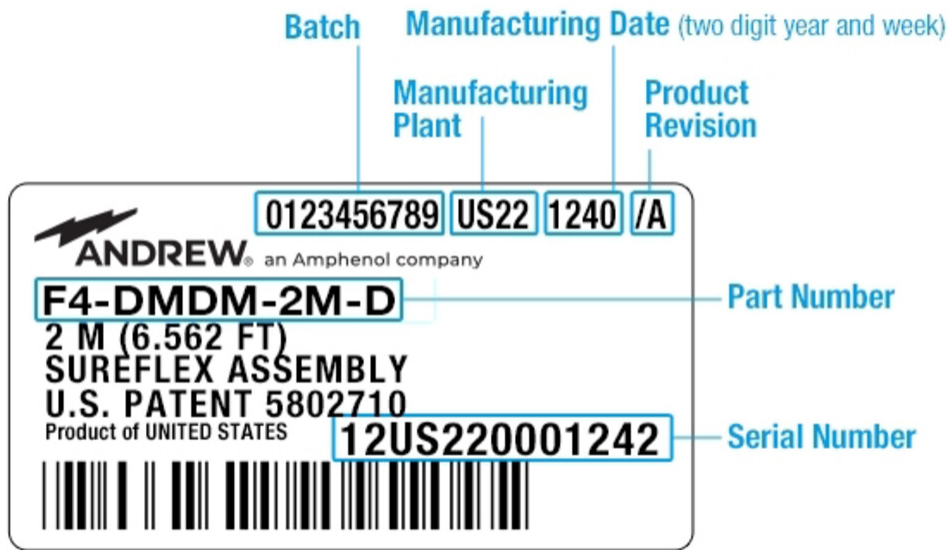
Length	12 m 39.37 ft
Nominal Size	0.100 in

VSWR/Return Loss

Frequency Band	VSWR	Return Loss (dB)
700–3000 MHz	1.433	14.99

Jumper Assembly Sample Label

C100-PSMSB-12M



Regulatory Compliance/Certifications

Agency

ISO 9001:2015

Classification

Designed, manufactured and/or distributed under this quality management system