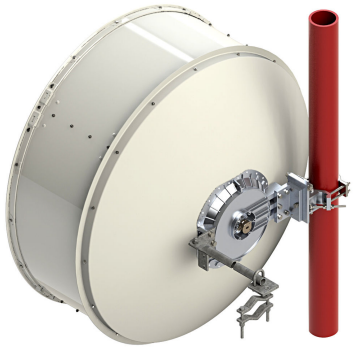


# SHPX4-4



1.2 m | 4 ft Sentinel® High Performance Antenna, dual-polarized, 4.400 –5.000 GHz

## Product Classification

### Product Type

Microwave antenna

## General Specifications

### Antenna Type

SHPX - Sentinel® High Performance Antenna, dual-polarized

### Polarization

Dual

### Side Struts, Included

1 inboard

### Side Struts, Optional

1 inboard

## Dimensions

### Diameter, nominal

1.2 m | 4 ft

## Electrical Specifications

### Operating Frequency Band

4.400 – 5.000 GHz

### Gain, Low Band

32 dBi

### Gain, Mid Band

32.6 dBi

### Gain, Top Band

33.1 dBi

### Boresite Cross Polarization Discrimination (XPD)

40 dB

### Front-to-Back Ratio

62 dB

### Beamwidth, Horizontal

3.7 °

### Beamwidth, Vertical

3.7 °

### Return Loss

20.8 dB

### VSWR

1.2

### Radiation Pattern Envelope Reference (RPE)

7416

### Electrical Compliance

ETSI Class 3

# SHPX4-4

---

**Cross Polarization Discrimination (XPD) Electrical Compliance**

ETSI EN 302217 XPD Category 3

## Mechanical Specifications

**Compatible Mounting Pipe Diameter**

115 mm | 4.5 in

**Fine Azimuth Adjustment Range**

±15°

**Fine Elevation Adjustment Range**

±15°

**Wind Speed, operational**

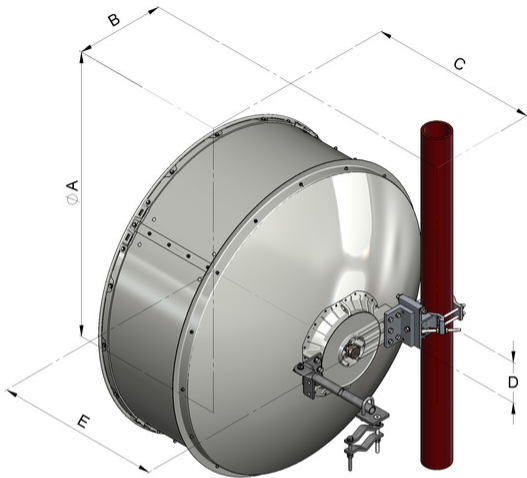
201 km/h | 124.896 mph

**Wind Speed, survival**

250 km/h | 155.343 mph

# SHPX4-4

## Antenna Dimensions and Mounting Information



Dimensions in inches (mm)					
Antenna size, ft (m)	A	B	C	D	E
4 (1.2)	50.8 (1291)	16 (407)	30.2 (767)	7.2 (183)	29.5 (748)

## Wind Forces at Wind Velocity Survival Rating

**Axial Force (FA)**

5326 N | 1,197.333 lbf

**Side Force (FS)**

2638 N | 593.046 lbf

**Twisting Moment (MT)**

2162 N-m | 19,135.312 in lb

**Force on Inboard Strut Side**

2862 N | 643.403 lbf

**Zcg without Ice**

43 mm | 1.693 in

**Zcg with 1/2 in (12 mm) Radial Ice**

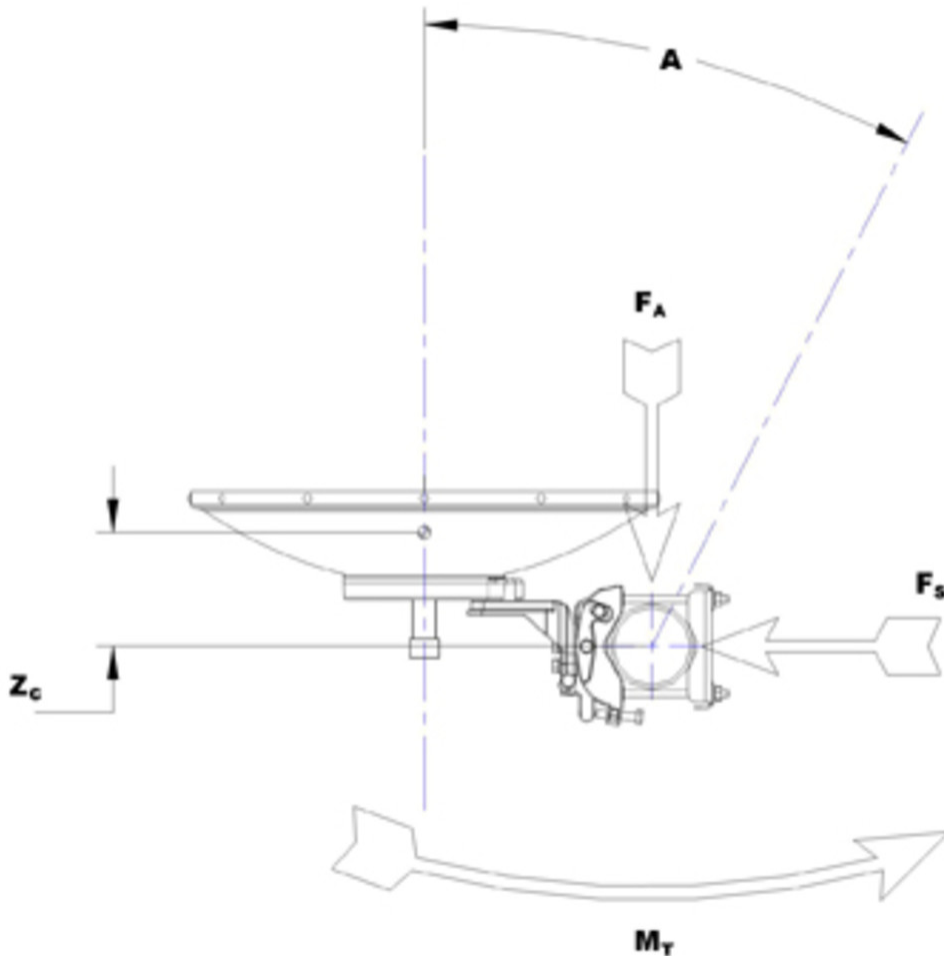
284 mm | 11.181 in

**Weight with 1/2 in (12 mm) Radial Ice**

74 kg | 163.142 lb

# SHPX4-4

## Wind Forces at Wind Velocity Survival Rating Image



## Packaging and Weights

**Weight, net**

32 kg | 70.548 lb

## \* Footnotes

### Operating Frequency Band

Bands correspond with CCIR recommendations or common allocations used throughout the world. Other ranges can be accommodated on special order.

### Gain, Mid Band

For a given frequency band, gain is primarily a function of antenna size. The gain of Andrew antennas is determined by either gain by comparison or by computer integration of the measured antenna patterns.

### Boresite Cross Polarization Discrimination (XPD)

The difference between the peak of the co-polarized main

beam and the maximum cross-polarized signal over an angle twice the 3 dB beamwidth of the co-polarized main beam.

**Front-to-Back Ratio**

Denotes highest radiation relative to the main beam, at  $180^\circ \pm 40^\circ$ , across the band. Production antennas do not exceed rated values by more than 2 dB unless stated otherwise.

**Return Loss**

The figure that indicates the proportion of radio waves incident upon the antenna that are rejected as a ratio of those that are accepted.

**VSWR**

Maximum; is the guaranteed Peak Voltage-Standing-Wave-Ratio within the operating band.

**Radiation Pattern Envelope Reference (RPE)**

Radiation patterns define an antenna's ability to discriminate against unwanted signals. Under still dry conditions, production antennas will not have any peak exceeding the current RPE by more than 3dB, maintaining an angular accuracy of  $\pm 1^\circ$  throughout

**Cross Polarization Discrimination (XPD) Electrical Compliance**

The difference between the peak of the co-polarized main beam and the maximum cross-polarized signal over an angle twice the 3 dB beamwidth of the co-polarized main beam.

**Wind Speed, operational**

For VHLP(X), SHP(X), HX and USX antennas, the wind speed where the maximum antenna deflection is 0.3 x the 3 dB beam width of the antenna. For other antennas, it is defined as a deflection is equal to or less than 0.1 degrees.

**Wind Speed, survival**

The maximum wind speed the antenna, including mounts and radomes, where applicable, will withstand without permanent deformation. Realignment may be required. This wind speed is applicable to antenna with the specified amount of radial ice.

**Axial Force (FA)**

Maximum forces exerted on a supporting structure as a result of wind from the most critical direction for this parameter. The individual maximums specified may not occur simultaneously. All forces are referenced to the mounting pipe.

**Side Force (FS)**

Maximum side force exerted on the mounting pipe as a result of wind from the most critical direction for this parameter. The individual maximums specified may not occur simultaneously. All forces are referenced to the mounting pipe.

**Twisting Moment (MT)**

Maximum forces exerted on a supporting structure as a result of wind from the most critical direction for this

parameter. The individual maximums specified may not occur simultaneously. All forces are referenced to the mounting pipe.