

# EH0192-002 | C/A 2X24P RJ 100PIN 2M

---



48-pair Cable Assembly, 100-pin male connector to stub, for Nokia 7330 DSLAM, gray, 2 meters

- Designed to meet the requirements of VDSL transmission for use in FTTB/ FTTN deployments
- Small cable diameter allows usage in environments where space constraints and cable routing prove most challenging
- Single-ended cable assembly versions feature a copper wire diameter that is ideal to be terminated with LSA-PLUS modules

## Product Classification

**Regional Availability** Asia | Australia/New Zealand | EMEA

**Product Type** Copper trunk cable assembly

## General Specifications

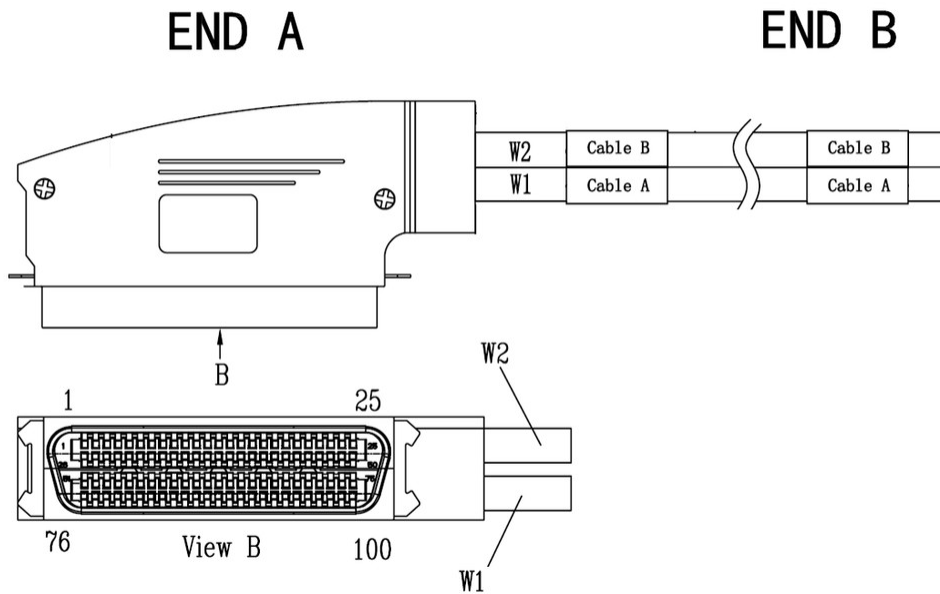
**Conductor Type** Solid

## Dimensions

**Cord Length** 2 m | 6.562 ft

**Diameter Over Jacket** 9.2 mm | 0.362 in

## Wiring Diagram



## Regulatory Compliance/Certifications

### Agency

CHINA-ROHS  
 REACH-SVHC  
 ROHS  
 UK-ROHS

### Classification

Below maximum concentration value  
 Compliant as per SVHC revision on [www.commscope.com/ProductCompliance](http://www.commscope.com/ProductCompliance)  
 Compliant  
 Compliant

