

FIST® GC02 Fiber Optic Splice Closure, Heat Shrink or Gold Gel Cable sealing, size BC, no pre-installed fiber trays, 16 round ports + 1 oval port without grounding,

- Single-ended, O-ring sealed dome closure for splicing feeder and distribution cables
- Compatible with most common cable types: e.g. loose tube, central core, ribbon fiber
- Universal mounting system (UMS) profiles provide foundation for mounting combinations of FIST splice trays
- Closure can be used in aerial, pedestal and underground (up to 5 meters) environments
- Compatible with CommScope's CWDM modules and optical splitter trays

## Product Classification

<b>Regional Availability</b>	EMEA
<b>Product Type</b>	Single-ended, round fiber closure
<b>Product Brand</b>	FIST®
<b>Product Series</b>	FIST-GC02

## General Specifications

<b>Cable Entry Drop Port Style</b>	Round
<b>Cable Entry Main Port Style</b>	Oval
<b>Cable Ports Quantity, total</b>	1 oval port (2 cables) + 16 round ports
<b>Cable Sealing Type</b>	Gel kit (optional)   Heat shrink
<b>Closure Sealing Type</b>	Dome-to-base clamp with O-ring
<b>Closure Style</b>	Single-ended
<b>Color</b>	Black
<b>Mounting</b>	Pole   Strand   Wall
<b>Network Area Type</b>	Distribution
<b>Splice Tray Included, quantity</b>	0
<b>Splicing Capacity, Mass Fusion, maximum</b>	1008
<b>Splicing Capacity, Single Fusion, maximum</b>	672

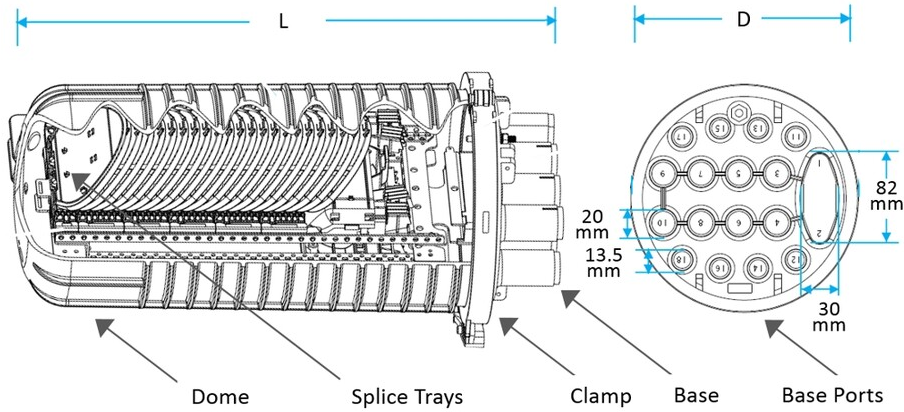
## Dimensions

<b>Length</b>	488 mm   19.213 in
<b>Cable Entry Drop Port Diameter</b>	20 mm   0.787 in

# 935758-000 | FIST-GCO2-BC16-NN

<b>Diameter</b>	247 mm   9.724 in
<b>Diameter, with clamp</b>	285 mm   11.22 in
<b>Main Cable Diameter, maximum</b>	25 mm   0.984 in

## Dimension Drawing



	FIST-GCO2-BC	FIST-GCO2-BD	FIST-GCO2-BE	FIST-GCO2-BF
<b>Length L</b>	488 mm/19.213 in	566 mm/22.283 in	680 mm/26.772 in	795 mm/31.30 in
<b>Width D at base</b>	247 mm/9.724 in	247 mm/9.724 in	247 mm/9.724 in	247 mm/9.724 in
<b>Width D at base with clamp</b>	285 mm/11.22 in	285 mm/11.22 in	285 mm/11.22 in	285 mm/11.22 in

## Port Configuration

	Cables per port	Cable Diameter, min	Cable Diameter, max
<b>1 Oval Port</b>	2	12 mm / 0.472 in	25 mm / 0.984 in
<b>16 Round Ports</b>	1	5 mm / 0.197 in	20 mm / 0.787 in

## Splicing Configuration

	FIST-GCO2-BC	FIST-GCO2-BD	FIST-GCO2-BE	FIST-GCO2-BF
<b>UMS Units</b>	2x28	2x42	2x58	2x64
<b># SC/SLE 4mm trays</b>	56	80	112	128
<b># SE 8mm trays</b>	28	40	56	64
<b># R12 12mm Flat ribbon trays</b>	18	26	36	42
<b>Max single splice capacity SC trays (4F/tray)</b>	224	320	448	512
<b>Max single splice capacity SE trays (12F/SE)</b>	336	480	672	768
<b>Max single splice capacity High dense tray (12F/SLE)</b>	672	960	1344	1536
<b>Max mass splice capacity R12 trays (Flat ribbon)</b>	432	624	864	1008
<b>Max mass splice capacity SE trays (Rollable ribbon G657A2 fiber)</b>	1008	1440	1728	1728

# 935758-000 | FIST-GCO2-BC16-NN

## Ordering Tree

FIST-GCO2- \_\_\_\_\_ - \_\_\_\_\_

### Closure size

BC	488 mm long with (2) 28 unit UMS
BD	566 mm long with (2) 42 unit UMS
BE	680 mm long with (2) 58 unit UMS
BF	795 mm long with (2) 64 unit UMS

### Number of ports

6	Round ports	(6 : ø 30) + 1 oval port
8	Round ports	(8 : ø 30) + 2 oval ports
16	Round ports	(8 : ø 20) + 1 oval port (8 : ø 13.5)

### Flash test valve

V	Pre-installed flash test valve
N	No flash test valve

### Ground feed-through

G	Pre-installed ground feedthrough
N	No ground feedthrough

## Material Specifications

**Material Type** Impact-resistant polymer

## Environmental Specifications

**Environmental Space** Below ground | Buried

**Qualification Standards** IEC 61300, 5 m waterhead

## Packaging and Weights

**Packaging quantity** 1

**Packaging Type** Box | Carton

**Weight, net** 4 kg | 8.818 lb

## Regulatory Compliance/Certifications

Agency	Classification
CHINA-ROHS	Below maximum concentration value
ISO 9001:2015	Designed, manufactured and/or distributed under this quality management system
REACH-SVHC	Compliant as per SVHC revision on <a href="http://www.commscope.com/ProductCompliance">www.commscope.com/ProductCompliance</a>
ROHS	Compliant

