

NDX-B2BHM0U-A0350F



Fiber Indexing Terminal, 2F Branching, Dielectric Loose Tube Cable, 350 Feet

Product Classification

Regional Availability	North America
Product Type	Access terminal, indexed without splitter/tap
Product Series	NDX

General Specifications

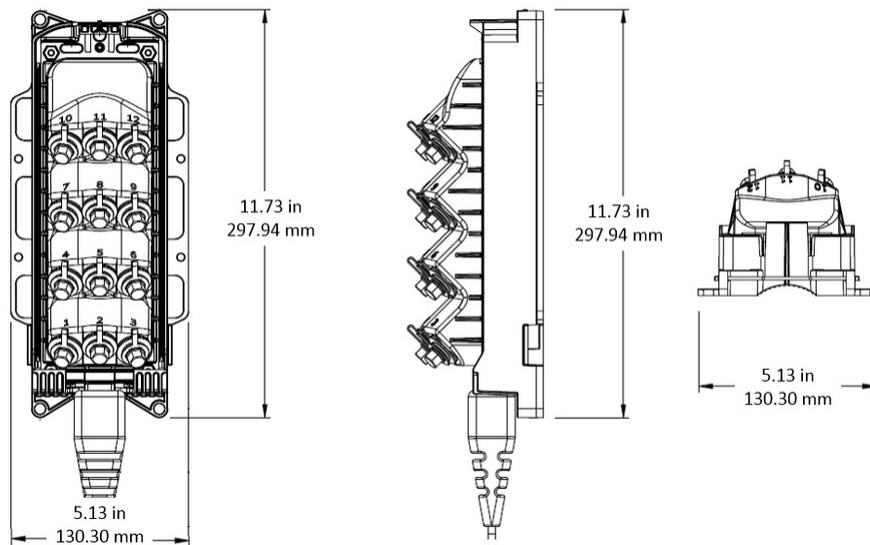
Cable Type	Dielectric - Flat - Loose Tube
Cable, quantity	1
Distribution Type	2 ports
Enclosure Color	Black
Mounting	Handhole Pedestal Pole
Port Type	Hardened multi-fiber (HMFOC) jack
Port, quantity	2
Splitter, quantity	0
Stub Type	Hardened multi-fiber (HMFOC) plug

Dimensions

Height	297.8 mm 11.724 in
Width	130.3 mm 5.13 in
Depth	90.4 mm 3.559 in
Cable Stub Length	106.68 m 350 ft
Cable Outer Diameter	4.5 x 8.1 mm (0.18 x 0.32 in)

Dimension Drawing

NDX-B2BHM0U-A0350F



Ordering Tree



Terminal model

06	1 x 4 splitter w/reverse
10	1 x 8 splitter w/reverse
D1	Index only, 1F w/reverse
B2	Branching, 2F (DLX only)**
B3	Branching, 3F (DLX only)**
B4	Branching, 4F (DLX only)**
B5	Branching, 5F (DLX only)**
B6	Branching, 6F (DLX only)**

Housing type

B	DLX indexing terminal
H	4x3 indexing terminal

Connector type housing

T	DLX adapters and 1 HMFOC
G	Full-size adapters and 1 HMFOC
D	Index only, 1 HMFOC, 1 DLX, 1 DLX (reverse)
E	Index only, 1 HMFOC, 1 full-size, 1 full-size (reverse)
H	Branching, 2 HMFOC (only available for housing type "B" - DLX) **

Cable length

0010	10 feet	0500	500 feet
0050	50 feet	0600	600 feet
0100	100 feet	0750	750 feet
0150	150 feet	1000	1,000 feet
0200	200 feet	1250	1,250 feet
0250	250 feet	1500	1,500 feet
0350	350 feet	1750	1,750 feet
0450	450 feet	2000	2,000 feet

Cable type

A	Buried dielectric—flat
---	------------------------

Mounting style

U	Universal (Terminal is on top of the spool; stub deploys first)
---	---

Tail end

M0	HMFOC stub end
----	----------------

Material Specifications

Enclosure Material Type

Gasketed hardened plastic

Optical Specifications

NDX-B2BHM0U-A0350F

Fiber Type	G.652.D
Attenuation, maximum	0.30 dB/km @ 1550 nm 0.40 dB/km @ 1310 nm
Directivity, minimum	60 dB
Wavelength Range	1260–1635 nm
Insertion Loss, Stub Connector, maximum	0.45 dB
Insertion Loss, Stub Connector, typical	0.16 dB
Insertion Loss, Terminal Connector, maximum	0.45 dB
Insertion Loss, Terminal Connector, typical	0.16 dB
Return Loss, Connector, minimum	65 dB

Environmental Specifications

Operating Temperature	-40 °C to +70 °C (-40 °F to +158 °F)
Relative Humidity	5%–100%, condensing
Environmental Space	Above ground Below ground Buried
Flammability Rating	UL 94 V-0
Qualification Standards	IEC 60529, IP68 + 2 m waterhead NEMA, Type 6 + 10 ft waterhead Telcordia GR-3120-CORE Telcordia GR-326-CORE Telcordia GR-771-CORE
UV Resistance	UV stabilized

Packaging and Weights

Included	Enclosure (1) Universal mounting bracket (1)
Packaging quantity	1
Packaging Type	Box Carton
Weight, without cable	1 kg 2.205 lb

Regulatory Compliance/Certifications

Agency	Classification
CHINA-ROHS	Below maximum concentration value
ISO 9001:2015	Designed, manufactured and/or distributed under this quality management system
REACH-SVHC	Compliant as per SVHC revision on www.commscope.com/ProductCompliance
ROHS	Compliant



NDX-B2BHM0U-A0350F

Included Products

MST-UMB-MINI – DLX® Mini-MST, Fiber Optic Universal Mounting Bracket

MST-UMB-MINI



DLX® Mini-MST, Fiber Optic Universal Mounting Bracket

Product Classification

Regional Availability	EMEA Latin America North America
Product Type	Mounting bracket
Product Brand	DLX®
Product Series	Mini-MST

General Specifications

Color	Black
--------------	-------

Environmental Specifications

Environmental Space	Outdoor
----------------------------	---------

Packaging and Weights

Packaging quantity	1
Packaging Type	Bag Carton

Regulatory Compliance/Certifications

Agency	Classification
CHINA-ROHS	Below maximum concentration value
REACH-SVHC	Compliant as per SVHC revision on www.commscope.com/ProductCompliance
ROHS	Compliant

