

# MST-12RHMO-A0040UM



MST, Fiber Optic Multiport Service Terminal, 12-port, square 4x3 port, HMFOC connector tail, dielectric flat loose tube cable, 40 m

- Hardened connectors are factory-terminated and environmentally sealed for use in optical drop cable deployments
- Plug and play adapter ports ensure rapid cable installment in the outside plant access section of the network
- Multiport Service Terminals incorporate hardened connector technology that is designed to withstand the rugged outside plant environment

## Product Classification

### Regional Availability

Asia | Latin America | North America

### Product Type

Access terminal, without splitter/tap

### Product Series

MST

## General Specifications

### Cable Type

Dielectric - Flat - Loose Tube

### Cable, quantity

1

### Distribution Type

12 ports

### Enclosure Color

Black

### Mounting

Handhole | Pedestal | Pole | Strand

### Port Type

Hardened full-size SC/APC

### Port, quantity

12

### Splitter, quantity

0

### Stub Type

Hardened multi-fiber (HMFOC) plug

## Dimensions

### Height

286 mm | 11.26 in

### Width

188 mm | 7.402 in

### Depth

92.1 mm | 3.626 in

### Cable Length, stub

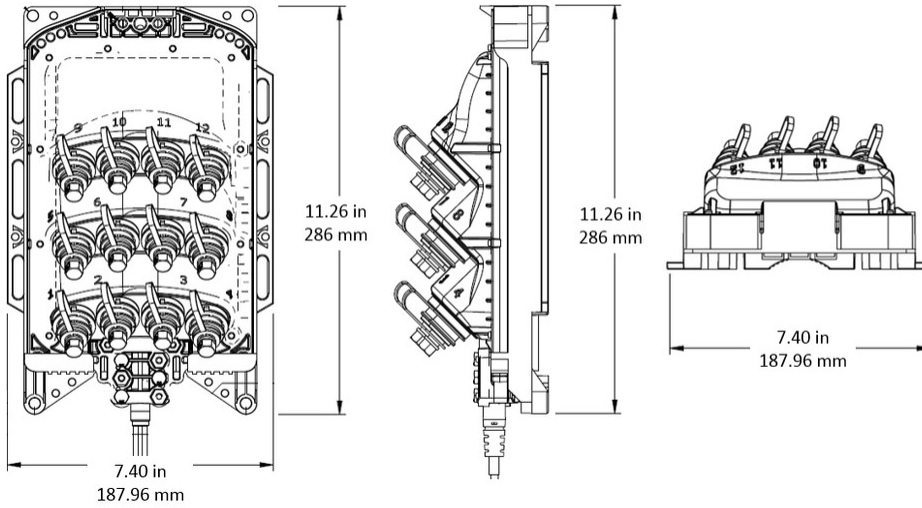
131 ft (40 m)

### Cable Outer Diameter

4.5 x 8.1 mm (0.18 x 0.32 in)

## Dimension Drawing

# MST-12RHMO-A0040UM



## Material Specifications

### Enclosure Material Type

Gasketed hardened plastic

## Optical Specifications

### Fiber Type

G.657.A1/A2

### Operating Wavelength Range

1260 – 1635 nm

### Attenuation Cable Coefficient, maximum

0.30 dB/km @ 1550 nm | 0.40 dB/km @ 1310 nm

### Attenuation Terminal Connectors, maximum

0.4 dB

### Directivity, minimum

60 dB

### Insertion Loss, Stub Connector, maximum

0.45 dB

### Insertion Loss, Stub Connector, typical

0.16 dB

### Insertion Loss, Terminal Connector, typical

0.16 dB

### Return Loss, Connector, minimum

65 dB

## Environmental Specifications

### Operating Temperature

-40 °C to +70 °C (-40 °F to +158 °F)

### Relative Humidity

5%–100%, condensing

### Environmental Space

Above ground | Below ground | Buried

### Flammability Rating

UL 94 5VA

### Qualification Standards

IEC 60529, IP68 + 2 m waterhead | Telcordia GR-3120-CORE | Telcordia GR-326-CORE | Telcordia GR-771-CORE

# MST-12RHMO-A0040UM

---

**UV Resistance**

UV stabilized

## Packaging and Weights

**Included**

Enclosure (1) | Universal mounting bracket (1)

**Packaging quantity**

1

**Packaging Type**

Box | Carton

**Weight, without cable**

1.36 kg | 2.998 lb

## Regulatory Compliance/Certifications

**Agency****Classification**

CHINA-ROHS

Below maximum concentration value

ISO 9001:2015

Designed, manufactured and/or distributed under this quality management system

REACH-SVHC

Compliant as per SVHC revision on [www.commscope.com/ProductCompliance](http://www.commscope.com/ProductCompliance)

ROHS

Compliant

UK-ROHS

Compliant



## Included Products

MST-UMB-4312 – Universal MST Mounting Bracket

# MST-UMB-4312

---



## Universal MST Mounting Bracket

### Product Classification

|                              |                                      |
|------------------------------|--------------------------------------|
| <b>Regional Availability</b> | EMEA   Latin America   North America |
| <b>Product Type</b>          | Mounting bracket                     |
| <b>Product Series</b>        | MST   NDX                            |

### General Specifications

|              |       |
|--------------|-------|
| <b>Color</b> | Black |
|--------------|-------|

### Environmental Specifications

|                            |         |
|----------------------------|---------|
| <b>Environmental Space</b> | Outdoor |
|----------------------------|---------|

### Packaging and Weights

|                           |              |
|---------------------------|--------------|
| <b>Packaging quantity</b> | 1            |
| <b>Packaging Type</b>     | Bag   Carton |

### Regulatory Compliance/Certifications

| <b>Agency</b> | <b>Classification</b>   |
|---------------|---|
| CHINA-ROHS    | Below maximum concentration value   |
| REACH-SVHC    | Compliant as per SVHC revision on <a href="https://www.commscope.com/ProductCompliance">www.commscope.com/ProductCompliance</a> |
| ROHS          | Compliant   |
| UK-ROHS       | Compliant   |

