

MST-12RH00-B0300U



MST, Fiber Optic Multiport Service Terminal, 12-port, square 4x3 port, locatable/tonable flat loose tube cable, 300 ft

- Hardened connectors are factory-terminated and environmentally sealed for use in optical drop cable deployments
- Plug and play adapter ports ensure rapid cable installment in the outside plant access section of the network
- Multiport Service Terminals incorporate hardened connector technology that is designed to withstand the rugged outside plant environment

Alternative products available:

HST-BCHNB0300NN000 HST, NOVUX™ Hardened Standard Terminal, 12-port, Flat toneable loose tube cable, 300 ft/91 m

Product Classification

| | |
|------------------------------|---------------------------------------|
| Regional Availability | Asia Latin America North America |
| Product Type | Access terminal, without splitter/tap |
| Product Series | MST |

General Specifications

| | |
|---------------------------|-------------------------------------|
| Cable Type | Locatable - Flat - Loose Tube |
| Cable, quantity | 1 |
| Distribution Type | 12 ports |
| Enclosure Color | Black |
| Mounting | Handhole Pedestal Pole Strand |
| Port Type | Hardened full-size SC/APC |
| Port, quantity | 12 |
| Splitter, quantity | 0 |
| Stub Type | Stub tail |

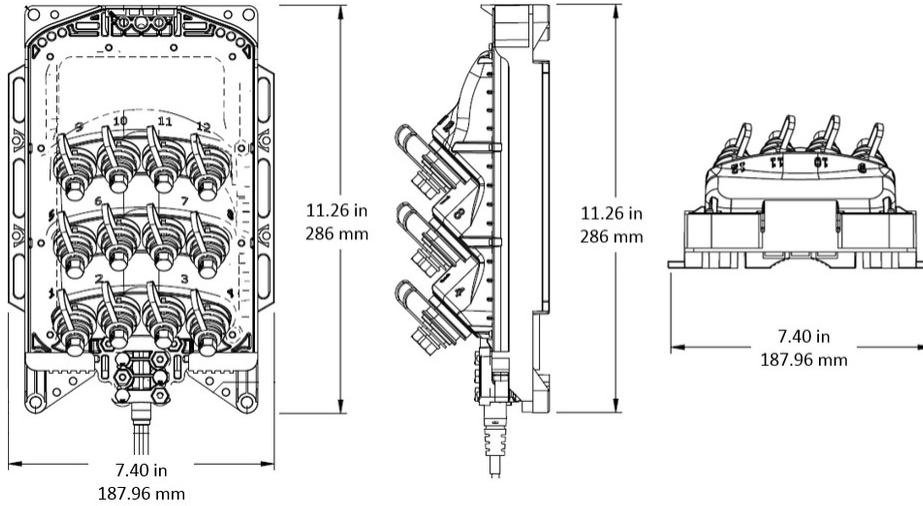
Dimensions

| | |
|---------------|--------------------|
| Height | 286 mm 11.26 in |
| Width | 188 mm 7.402 in |
| Depth | 92.1 mm 3.626 in |

MST-12RH00-B0300U

| | |
|-----------------------------|------------------|
| Cable Length, stub | 300 ft (91 m) |
| Cable Outer Diameter | 5.0 mm (0.20 in) |

Dimension Drawing



Ordering Tree

MST - R H 0 0 -

Terminal model

| | |
|----|----------------|
| 04 | 4 ports |
| 06 | 6 ports |
| 08 | 8 ports |
| 12 | 12 ports |
| 0N | 1 x 4 splitter |
| 0J | 1 x 8 splitter |

Cable type

| | |
|---|------------------------------|
| A | Dielectric, flat, loose tube |
| B | Locatable, flat, loose tube |

Mounting style*

| | |
|---|--|
| U | Universal: Terminal is on top of the spool; stub deploys first |
| A | Reversal spool: Terminal is on the bottom of the spool; terminal deploys first |

Standard cable stub length

| | |
|------|-----------|
| 0050 | 50 feet |
| 0100 | 100 feet |
| 0200 | 200 feet |
| 0500 | 500 feet |
| 0750 | 750 feet |
| 1000 | 1000 feet |
| 1500 | 1500 feet |
| 2000 | 2000 feet |

Standard lengths shown; metric lengths available

*0-300 ft lengths of cable is automatically coiled (option U), for greater than 300 ft cable lengths, choose U or A option.

Material Specifications

| | |
|--------------------------------|---------------------------|
| Enclosure Material Type | Gasketed hardened plastic |
|--------------------------------|---------------------------|

Optical Specifications

MST-12RH00-B0300U

| | |
|--|---|
| Fiber Type | G.657.A1/A2 |
| Operating Wavelength Range | 1260 – 1635 nm |
| Attenuation Cable Coefficient, maximum | 0.30 dB/km @ 1550 nm 0.40 dB/km @ 1310 nm |
| Attenuation Terminal Connectors, maximum | 0.4 dB |
| Directivity, minimum | 60 dB |
| Insertion Loss, Terminal Connector, typical | 0.16 dB |
| Return Loss, Connector, minimum | 65 dB |

Environmental Specifications

| | |
|--------------------------------|--|
| Operating Temperature | -40 °C to +70 °C (-40 °F to +158 °F) |
| Relative Humidity | 5%–100%, condensing |
| Environmental Space | Above ground Below ground Buried |
| Flammability Rating | UL 94 5VA |
| Qualification Standards | IEC 60529, IP68 + 2 m waterhead Telcordia GR-3120-CORE Telcordia GR-326-CORE Telcordia GR-771-CORE |
| UV Resistance | UV stabilized |

Packaging and Weights

| | |
|------------------------------|--|
| Included | Enclosure (1) Universal mounting bracket (1) |
| Packaging quantity | 1 |
| Packaging Type | Box Carton |
| Weight, without cable | 1.36 kg 2.998 lb |

Regulatory Compliance/Certifications

| Agency | Classification |
|---------------|--|
| CHINA-ROHS | Below maximum concentration value |
| ISO 9001:2015 | Designed, manufactured and/or distributed under this quality management system |
| REACH-SVHC | Compliant as per SVHC revision on www.commscope.com/ProductCompliance |
| ROHS | Compliant |
| UK-ROHS | Compliant |



Included Products

MST-12RH00-B0300U

MST-UMB-4312 – Universal MST Mounting Bracket

MST-UMB-4312



Universal MST Mounting Bracket

Product Classification

| | |
|------------------------------|--------------------------------------|
| Regional Availability | EMEA Latin America North America |
| Product Type | Mounting bracket |
| Product Series | MST NDX |

General Specifications

| | |
|--------------|-------|
| Color | Black |
|--------------|-------|

Environmental Specifications

| | |
|----------------------------|---------|
| Environmental Space | Outdoor |
|----------------------------|---------|

Packaging and Weights

| | |
|---------------------------|--------------|
| Packaging quantity | 1 |
| Packaging Type | Bag Carton |

Regulatory Compliance/Certifications

| Agency | Classification |
|---------------|---|
| CHINA-ROHS | Below maximum concentration value |
| REACH-SVHC | Compliant as per SVHC revision on www.commscope.com/ProductCompliance |
| ROHS | Compliant |
| UK-ROHS | Compliant |

