

# MST-ONXXHO-A0010U



DLX® Mini-MST, Fiber Optic Multiport Service Terminal, 4-port with 1x4 splitter, locat. flat loose tube cable, 10 ft

- Hardened connectors are factory-terminated and environmentally sealed for use in optical drop cable deployments
- Plug and play adapter ports ensure rapid cable installment in the outside plant access section of the network
- Multiport Service Terminals incorporate hardened connector technology that is designed to withstand the rugged outside plant environment

## Product Classification

|                               |                                      |
|-------------------------------|--------------------------------------|
| <b>Regional Availability</b>  | Asia   Latin America   North America |
| <b>Product Type</b>           | Access terminal, with splitter       |
| <b>Product Brand</b>          | DLX®                                 |
| <b>Product Series</b>         | Mini-MST                             |
| <b>Minimum Order Quantity</b> | 2                                    |

## General Specifications

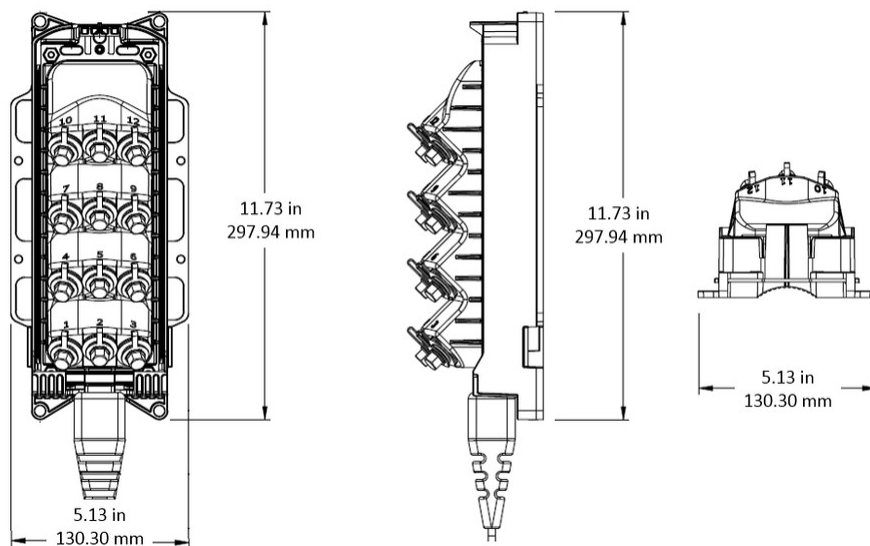
|                           |                                     |
|---------------------------|-------------------------------------|
| <b>Cable Type</b>         | Dielectric - Flat - Loose Tube      |
| <b>Cable, quantity</b>    | 1                                   |
| <b>Distribution Type</b>  | 1 x 4 splitter                      |
| <b>Enclosure Color</b>    | Black                               |
| <b>Mounting</b>           | Handhole   Pedestal   Pole   Strand |
| <b>Port Type</b>          | Hardened mini-size DLX              |
| <b>Port, quantity</b>     | 4                                   |
| <b>Splitter, quantity</b> | 1                                   |
| <b>Stub Type</b>          | Hardened multi-fiber (HMFOC) plug   |

## Dimensions

|                             |                               |
|-----------------------------|-------------------------------|
| <b>Height</b>               | 298 mm   11.732 in            |
| <b>Width</b>                | 130.3 mm   5.13 in            |
| <b>Depth</b>                | 89 mm   3.504 in              |
| <b>Cable Length, stub</b>   | 10 ft (3 m)                   |
| <b>Cable Outer Diameter</b> | 4.5 x 8.1 mm (0.18 x 0.32 in) |

# MST-ONXXHO-A0010U

## Dimension Drawing



## Ordering Tree



## Material Specifications

**Enclosure Material Type**

Gasketed hardened plastic

## Optical Specifications

# MST-ONXXHO-A0010U

---

|  |   |
|--|---|
| <b>Fiber Type</b>                                  | G.657.A1/A2                                 |
| <b>Operating Wavelength Range</b>                  | 1260 – 1635 nm                              |
| <b>Attenuation Cable Coefficient, maximum</b>      | 0.30 dB/km @ 1550 nm   0.40 dB/km @ 1310 nm |
| <b>Attenuation Splitter, maximum</b>               | 7.1 dB                                      |
| <b>Attenuation Terminal Connectors, maximum</b>    | 0.4 dB                                      |
| <b>Directivity, minimum</b>                        | 60 dB                                       |
| <b>Insertion Loss, Splitter, typical</b>           | 6.7 dB                                      |
| <b>Insertion Loss, Stub Connector, maximum</b>     | 0.45 dB                                     |
| <b>Insertion Loss, Stub Connector, typical</b>     | 0.16 dB                                     |
| <b>Insertion Loss, Terminal Connector, typical</b> | 0.16 dB                                     |
| <b>Return Loss, Connector, minimum</b>             | 65 dB                                       |
| <b>Return Loss, Single Ports, minimum</b>          | 55 dB                                       |

## Environmental Specifications

|                                |  |
|--------------------------------|--|
| <b>Operating Temperature</b>   | -40 °C to +70 °C (-40 °F to +158 °F)   |
| <b>Relative Humidity</b>       | 5%–100%, condensing  |
| <b>Environmental Space</b>     | Above ground   Below ground   Buried   |
| <b>Flammability Rating</b>     | UL 94 V-0  |
| <b>Qualification Standards</b> | IEC 60529, IP68 + 2 m waterhead   Telcordia GR-3120-CORE   Telcordia GR-326-CORE   Telcordia GR-771-CORE |
| <b>UV Resistance</b>           | UV stabilized  |

## Packaging and Weights

|                              |   |
|------------------------------|---|
| <b>Included</b>              | Enclosure (1)   Optical splitter (1)   Universal mounting bracket (1) |
| <b>Packaging quantity</b>    | 1   |
| <b>Packaging Type</b>        | Box   Carton  |
| <b>Weight, without cable</b> | 0.99 kg   2.183 lb  |

## Regulatory Compliance/Certifications

| <b>Agency</b> | <b>Classification</b>  |
|---------------|--|
| CHINA-ROHS    | Above maximum concentration value  |
| ISO 9001:2015 | Designed, manufactured and/or distributed under this quality management system   |
| REACH-SVHC    | Compliant as per SVHC revision on <a href="http://www.commscope.com/ProductCompliance">www.commscope.com/ProductCompliance</a> |
| ROHS          | Compliant/Exempted   |

# MST-ONXXHO-A0010U

---

UK-ROHS

Compliant



## Included Products

MST-UMB-MINI – DLX® Mini-MST, Fiber Optic Universal Mounting Bracket