



## FOSC® 450 A4 Fiber Optic Splice Closure with one 2-port tap, 5 dB

- Single-ended, O-ring sealed dome closure for splicing feeder and distribution cables
- Gel cable sealing technology allows easy adding or removing of a wide size range of cables
- Compatible with most common cable types: e.g. loose tube, central core, ribbon fiber
- FOSC splice trays hinged for access to any splice without disturbing other trays
- Closure can be used in aerial, pedestal and underground (up to 5 meters) environments
- Compatible with CommScope's CWDM modules and optical splitter trays

## Product Classification

|                              |                                   |
|------------------------------|-----------------------------------|
| <b>Regional Availability</b> | Latin America   North America     |
| <b>Product Type</b>          | Single-ended, round fiber closure |
| <b>Product Brand</b>         | FOSC®                             |
| <b>Product Series</b>        | FOSC 450                          |

## General Specifications

|   |                                |
|---|--------------------------------|
| <b>Cable Entry Drop Port Style</b>                          | Round                          |
| <b>Cable Entry Main Port Style</b>                          | Round                          |
| <b>Cable Ports Quantity, total</b>                          | 4 round ports                  |
| <b>Cable Sealing Type</b>                                   | Compressed gel                 |
| <b>Closure Sealing Type</b>                                 | Dome-to-base clamp with O-ring |
| <b>Closure Style</b>  | Single-ended                   |
| <b>Color</b>  | Black                          |
| <b>Flash Test Valve</b>                                     | None                           |
| <b>Ground Feed-through</b>                                  | None                           |
| <b>Mounting</b>   | Pole   Strand   Wall           |
| <b>Network Area Type</b>                                    | Drop                           |
| <b>Splice Tray Included, quantity</b>                       | 1                              |
| <b>Splice Tray Type Included</b>                            | 12-way, heat shrink            |
| <b>Splicing Capacity, Mass Fusion, maximum</b>              | 144                            |
| <b>Splicing Capacity, maximum</b>                           | 144                            |
| <b>Splicing Capacity, Single Fusion, maximum</b>            | 96                             |
| <b>Splicing Capacity, Single Splice, 12 fibers, maximum</b> | 96                             |

# 221981-000 | FOSC450-A4-4-TAP-2P-05

**Splicing Capacity, Single Splice, 6 fibers, maximum**

48

**Splicing Type, Supported**

Mass fusion | Single fusion

## Dimensions

**Length**

485 mm | 19.094 in

**Diameter**

150 mm | 5.906 in

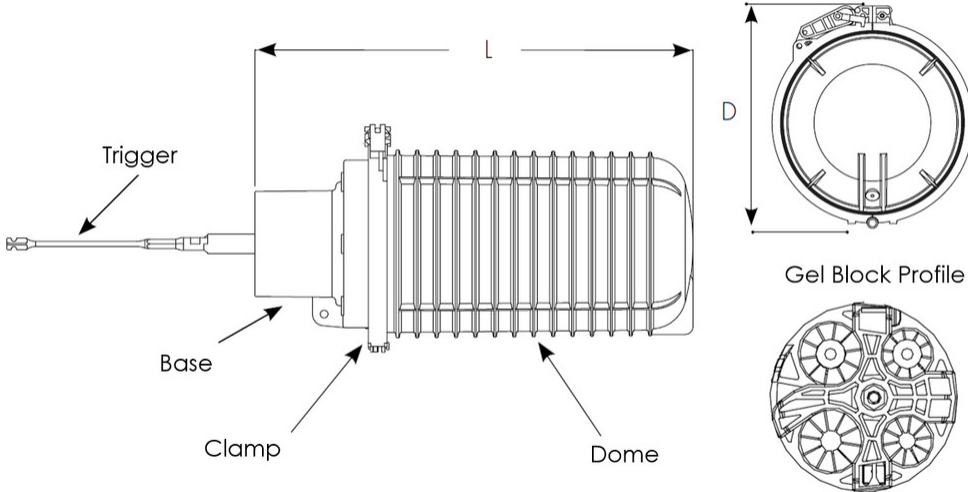
**Diameter, with clamp**

205 mm | 8.071 in

**Main Cable Diameter, maximum**

25 mm | 0.984 in

## Dimension Drawing



## Ordering Tree

## FOSC 450 - A4 - TAP - XX - XX

### Tap Tray Configuration

|    |                 |
|----|-----------------|
| 2P | 2-port tap tray |
| 4P | 4-port tap tray |
| 8P | 8-port tap tray |

### Tap Value and Type

|     |                            |
|-----|----------------------------|
| 04T | 4 dB, terminating tap      |
| 05  | 5 dB, non-terminating tap  |
| 07  | 7 dB, non-terminating tap  |
| 07T | 7 dB, terminating tap      |
| 08  | 8 dB, non-terminating tap  |
| 09  | 9 dB, non-terminating tap  |
| 10  | 10 dB, non-terminating tap |
| 11  | 11 dB, non-terminating tap |
| 11T | 11 dB, terminating tap     |
| 12  | 12 dB, non-terminating tap |
| 13  | 13 dB, non-terminating tap |
| 14  | 14 dB, non-terminating tap |
| 15  | 15 dB, non-terminating tap |
| 17  | 17 dB, non-terminating tap |
| 19  | 19 dB, non-terminating tap |
| 21  | 21 dB, non-terminating tap |

## Material Specifications

**Material Type** Impact-resistant polymer

## Environmental Specifications

**Environmental Space** Below ground | Buried

**Qualification Standards** IEC 61300, 5 m waterhead

**Water Resistance** Flash test valve at 5 psi (40 kPa)

## Packaging and Weights

**Packaging quantity** 1

**Packaging Type** Box | Carton

**Weight, net** 2.72 kg | 5.997 lb

## Regulatory Compliance/Certifications

|               |                                   |
|---------------|-----------------------------------|
| <b>Agency</b> | <b>Classification</b>             |
| CHINA-ROHS    | Below maximum concentration value |

# 221981-000 | FOSC450-A4-4-TAP-2P-05

---

|               |  |
|---------------|--|
| ISO 9001:2015 | Designed, manufactured and/or distributed under this quality management system   |
| REACH-SVHC    | Compliant as per SVHC revision on <a href="http://www.commscope.com/ProductCompliance">www.commscope.com/ProductCompliance</a> |
| ROHS          | Compliant  |
| UK-ROHS       | Compliant  |

