

MST-04MH00-C0300U



MST, Fiber Optic Multiport Service Terminal, 4-port, long 2xN port, armored round loose tube cable, 300 ft

- Hardened connectors are factory-terminated and environmentally sealed for use in optical drop cable deployments
- Plug and play adapter ports ensure rapid cable installment in the outside plant access section of the network
- Multiport Service Terminals incorporate hardened connector technology that is designed to withstand the rugged outside plant environment

Product Classification

| | |
|------------------------------|---------------------------------------|
| Regional Availability | Asia Latin America North America |
| Product Type | Access terminal, without splitter/tap |
| Product Series | MST |

General Specifications

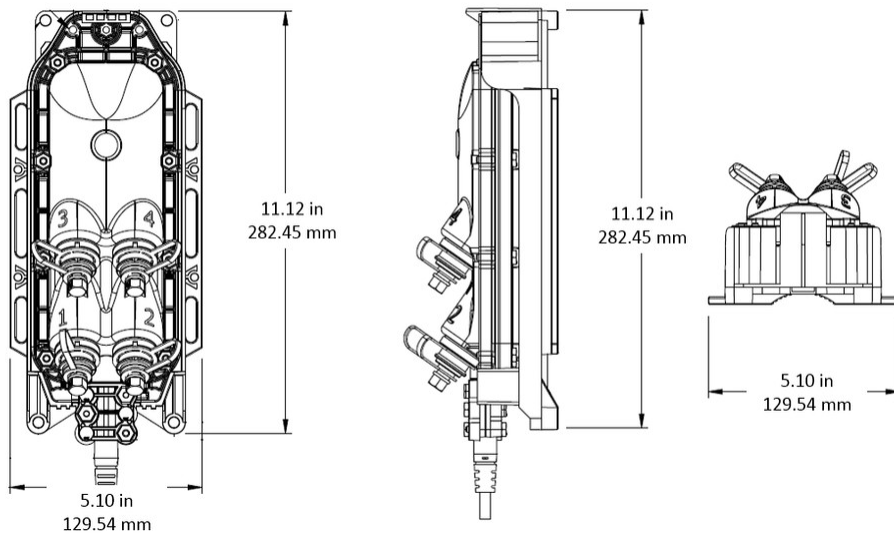
| | |
|---------------------------|-------------------------------------|
| Cable Type | Armored - Round - Loose Tube |
| Cable, quantity | 1 |
| Distribution Type | 4 ports |
| Enclosure Color | Black |
| Mounting | Handhole Pedestal Pole Strand |
| Port Type | Hardened full-size SC/APC |
| Port, quantity | 4 |
| Splitter, quantity | 0 |
| Stub Type | Stub tail |

Dimensions

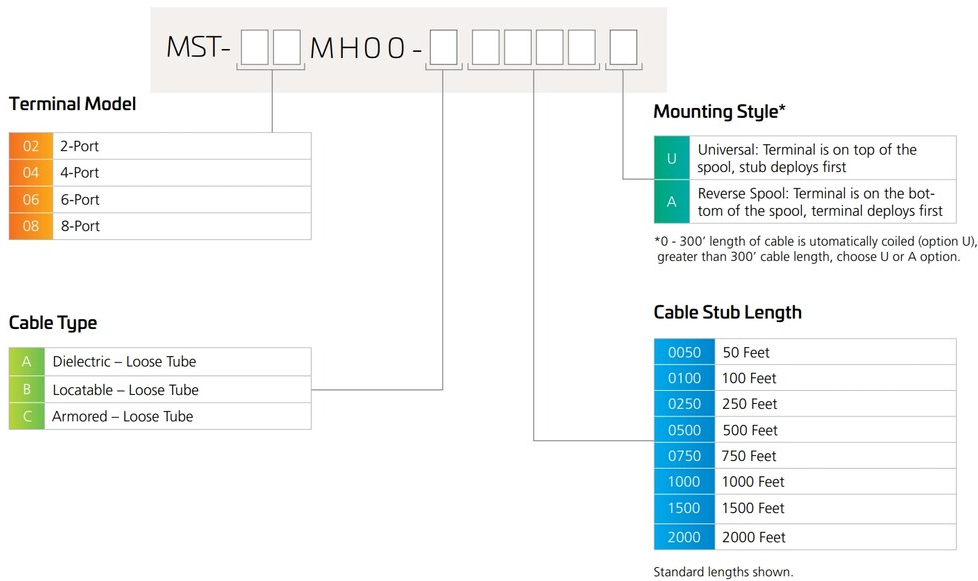
| | |
|-----------------------------|-------------------------------|
| Height | 282.4 mm 11.118 in |
| Width | 129.5 mm 5.098 in |
| Depth | 84.1 mm 3.311 in |
| Cable Length, stub | 300 ft (91 m) |
| Cable Outer Diameter | 4.4 x 7.4 mm (0.17 x 0.29 in) |

Dimension Drawing

MST-04MH00-C0300U



Ordering Tree



Material Specifications

Enclosure Material Type

Gasketed hardened plastic

Optical Specifications

Fiber Type

G.657.A1/A2

Operating Wavelength Range

1260 – 1635 nm

MST-04MH00-C0300U

| | |
|--|---|
| Attenuation Cable Coefficient, maximum | 0.30 dB/km @ 1550 nm 0.40 dB/km @ 1310 nm |
| Attenuation Terminal Connectors, maximum | 0.4 dB |
| Directivity, minimum | 60 dB |
| Insertion Loss, Terminal Connector, typical | 0.16 dB |
| Return Loss, Connector, minimum | 65 dB |

Environmental Specifications

| | |
|--------------------------------|--|
| Operating Temperature | -40 °C to +70 °C (-40 °F to +158 °F) |
| Relative Humidity | 5%–100%, condensing |
| Environmental Space | Above ground Below ground Buried |
| Flammability Rating | UL 94 5VA |
| Qualification Standards | IEC 60529, IP68 + 2 m waterhead Telcordia GR-3120-CORE Telcordia GR-326-CORE Telcordia GR-771-CORE |
| UV Resistance | UV stabilized |

Packaging and Weights

| | |
|------------------------------|--|
| Included | Enclosure (1) Universal mounting bracket (1) |
| Packaging quantity | 1 |
| Packaging Type | Box Carton |
| Weight, without cable | 0.86 kg 1.896 lb |

Regulatory Compliance/Certifications

| Agency | Classification |
|---------------|--|
| CHINA-ROHS | Above maximum concentration value |
| ISO 9001:2015 | Designed, manufactured and/or distributed under this quality management system |
| REACH-SVHC | Compliant as per SVHC revision on www.commscope.com/ProductCompliance |
| ROHS | Compliant/Exempted |
| UK-ROHS | Compliant/Exempted |



Included Products

- MST-UMB-0204 – MST, Fiber Optic Universal Mounting Bracket, 2/4 port

MST-UMB-0204

MST, Fiber Optic Universal Mounting Bracket, 2/4 port



Product Classification

| | |
|------------------------------|--------------------------------------|
| Regional Availability | EMEA Latin America North America |
| Product Type | Mounting bracket |
| Product Series | MST |

General Specifications

| | |
|--------------|-------|
| Color | Black |
|--------------|-------|

Environmental Specifications

| | |
|----------------------------|---------|
| Environmental Space | Outdoor |
|----------------------------|---------|

Packaging and Weights

| | |
|---------------------------|--------------|
| Packaging quantity | 1 |
| Packaging Type | Bag Carton |

Regulatory Compliance/Certifications

| Agency | Classification |
|---------------|---|
| CHINA-ROHS | Below maximum concentration value |
| REACH-SVHC | Compliant as per SVHC revision on www.commscope.com/ProductCompliance |
| ROHS | Compliant |
| UK-ROHS | Compliant |

