

# CZ4661-000 | FIST-GC02-BD8-GV



FIST® GC02 Fiber Optic Splice Closure, Heat Shrink or Gold Gel Cable sealing, size BD, no pre-installed fiber trays, 8 round ports + 2 oval ports, with test valve

- Single-ended, O-ring sealed dome closure for splicing feeder and distribution cables
- Compatible with most common cable types: e.g. loose tube, central core, ribbon fiber
- Universal mounting system (UMS) profiles provide foundation for mounting combinations of FIST splice trays
- Closure can be used in aerial, pedestal and underground (up to 5 meters) environments
- Compatible with CommScope's CWDM modules and optical splitter trays

## Product Classification

|                              |                                   |
|------------------------------|-----------------------------------|
| <b>Regional Availability</b> | EMEA                              |
| <b>Product Type</b>          | Single-ended, round fiber closure |
| <b>Product Brand</b>         | FIST®                             |
| <b>Product Series</b>        | FIST-GC02                         |

## General Specifications

|  |  |
|--|--|
| <b>Cable Entry Drop Port Style</b>               | Round                                    |
| <b>Cable Entry Main Port Style</b>               | Oval                                     |
| <b>Cable Ports Quantity, total</b>               | 2 oval port (2x2 cables) + 8 round ports |
| <b>Cable Sealing Type</b>                        | Gel kit (optional)   Heat shrink         |
| <b>Closure Sealing Type</b>                      | Dome-to-base clamp with O-ring           |
| <b>Closure Style</b>                             | Single-ended                             |
| <b>Color</b>                                     | Black                                    |
| <b>Mounting</b>                                  | Pole   Strand   Wall                     |
| <b>Network Area Type</b>                         | Distribution                             |
| <b>Splice Tray Included, quantity</b>            | 0  |
| <b>Splicing Capacity, Mass Fusion, maximum</b>   | 1440                                     |
| <b>Splicing Capacity, Single Fusion, maximum</b> | 960                                      |
| <b>Splicing Type, Supported</b>                  | Mass fusion   Single fusion              |

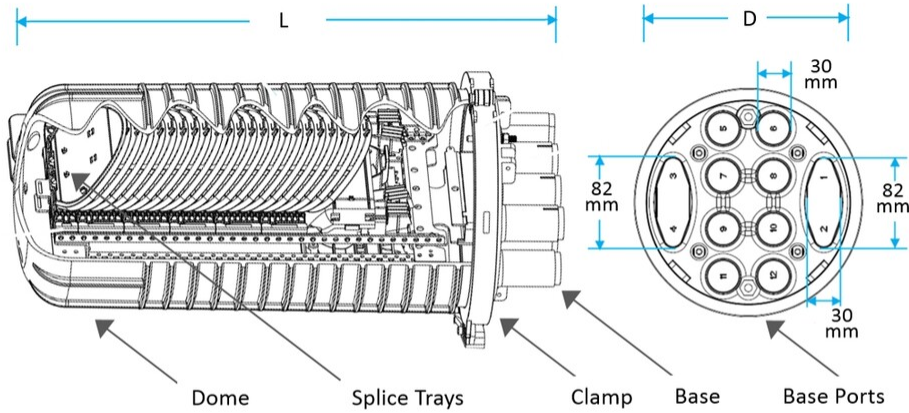
## Dimensions

|               |                    |
|---------------|--------------------|
| <b>Length</b> | 566 mm   22.283 in |
|---------------|--------------------|

# CZ4661-000 | FIST-GCO2-BD8-GV

|                                       |                   |
|---------------------------------------|-------------------|
| <b>Cable Entry Drop Port Diameter</b> | 30 mm   1.181 in  |
| <b>Diameter</b>                       | 247 mm   9.724 in |
| <b>Diameter, with clamp</b>           | 285 mm   11.22 in |
| <b>Main Cable Diameter, maximum</b>   | 25 mm   0.984 in  |

## Dimension Drawing



|                                   | FIST-GCO2-BC     | FIST-GCO2-BD     | FIST-GCO2-BE     | FIST-GCO2-BF    |
|-----------------------------------|------------------|------------------|------------------|-----------------|
| <b>Length L</b>                   | 488 mm/19.213 in | 566 mm/22.283 in | 680 mm/26.772 in | 795 mm/31.30 in |
| <b>Width D at base</b>            | 247 mm/9.724 in  | 247 mm/9.724 in  | 247 mm/9.724 in  | 247 mm/9.724 in |
| <b>Width D at base with clamp</b> | 285 mm/11.22 in  | 285 mm/11.22 in  | 285 mm/11.22 in  | 285 mm/11.22 in |

## Port Configuration

|                      | Cables per port | Cable Diameter, min | Cable Diameter, max |
|----------------------|-----------------|---------------------|---------------------|
| <b>1 Oval Port</b>   | 2               | 12 mm / 0.472 in    | 25 mm / 0.984 in    |
| <b>8 Round Ports</b> | 1               | 5 mm / 0.197 in     | 30 mm / 1.181 in    |

## Splicing Configuration

# CZ4661-000 | FIST-GCO2-BD8-GV

|  | FIST-GCO2-BC | FIST-GCO2-BD | FIST-GCO2-BE | FIST-GCO2-BF |
|--|--------------|--------------|--------------|--------------|
| UMS Units  | 2x28         | 2x42         | 2x58         | 2x64         |
| # SC/SLE 4mm trays   | 56           | 80           | 112          | 128          |
| # SE 8mm trays   | 28           | 40           | 56           | 64           |
| # R12 12mm Flat ribbon trays                                     | 18           | 26           | 36           | 42           |
| Max single splice capacity SC trays (4F/tray)                    | 224          | 320          | 448          | 512          |
| Max single splice capacity SE trays (12F/SE)                     | 336          | 480          | 672          | 768          |
| Max single splice capacity High dense tray (12F/SLE)             | 672          | 960          | 1344         | 1536         |
| Max mass splice capacity R12 trays (Flat ribbon)                 | 432          | 624          | 864          | 1008         |
| Max mass splice capacity SE trays (Rollable ribbon G657A2 fiber) | 1008         | 1440         | 1728         | 1728         |

## Ordering Tree

FIST-GCO2- \_\_\_\_\_ - \_\_\_\_\_

### Closure size

|    |                                  |
|----|----------------------------------|
| BC | 488 mm long with (2) 28 unit UMS |
| BD | 566 mm long with (2) 42 unit UMS |
| BE | 680 mm long with (2) 58 unit UMS |
| BF | 795 mm long with (2) 64 unit UMS |

### Number of ports

|    |             |                                       |
|----|-------------|---------------------------------------|
| 6  | Round ports | (6: ø 30) + 1 oval port               |
| 8  | Round ports | (8: ø 30) + 2 oval ports              |
| 16 | Round ports | (8 : ø 20) + 1 oval port (8 : ø 13.5) |

### Flash test valve

|   |                                |
|---|--------------------------------|
| V | Pre-installed flash test valve |
| N | No flash test valve            |

### Ground feed-through

|   |                                  |
|---|----------------------------------|
| G | Pre-installed ground feedthrough |
| N | No ground feedthrough            |

## Material Specifications

### Material Type

Impact-resistant polymer

## Environmental Specifications

### Environmental Space

Below ground | Buried

### Qualification Standards

IEC 61300, 5 m waterhead

### Water Resistance

Flash test valve at 5 psi (40 kPa)

## Packaging and Weights

### Packaging quantity

1

### Packaging Type

Box | Carton

# CZ4661-000 | FIST-GC02-BD8-GV

---

**Weight, net**

4.4 kg | 9.7 lb

## Regulatory Compliance/Certifications

**Agency**

**Classification**

CHINA-ROHS

Below maximum concentration value

ISO 9001:2015

Designed, manufactured and/or distributed under this quality management system

REACH-SVHC

Compliant as per SVHC revision on [www.commscope.com/ProductCompliance](http://www.commscope.com/ProductCompliance)

ROHS

Compliant

