



BUDI™ Fiber Optic Wall mount Enclosure, 16 SC/APC adapters, single element FIST splice trays for 48 SMOUV splices

- Compact, wall mountable fiber enclosures for indoor and outdoor use
- Specifically designed for fast FTTH deployment and easy customer connection
- Available with splicing (FIST) and/or patching and/or splitter combinations
- Multiple and modular wrap around cable port sealing options

OBSOLETE

Product Classification

Regional Availability	EMEA
Portfolio	CommScope®
Product Type	Fiber wall box
Product Brand	BUDI™
Product Series	BUDI-1S

General Specifications

Functionality	Patching Splicing
Access	Front
Enclosure Color	Gray
Front Cover Type	Snap-on cover
Interface	SC/APC
Lock Type	Key lock
Mounting	Wall
Port, quantity	16
Splice Tray Construction	SE (Single element)
Splicing Capacity, maximum	48

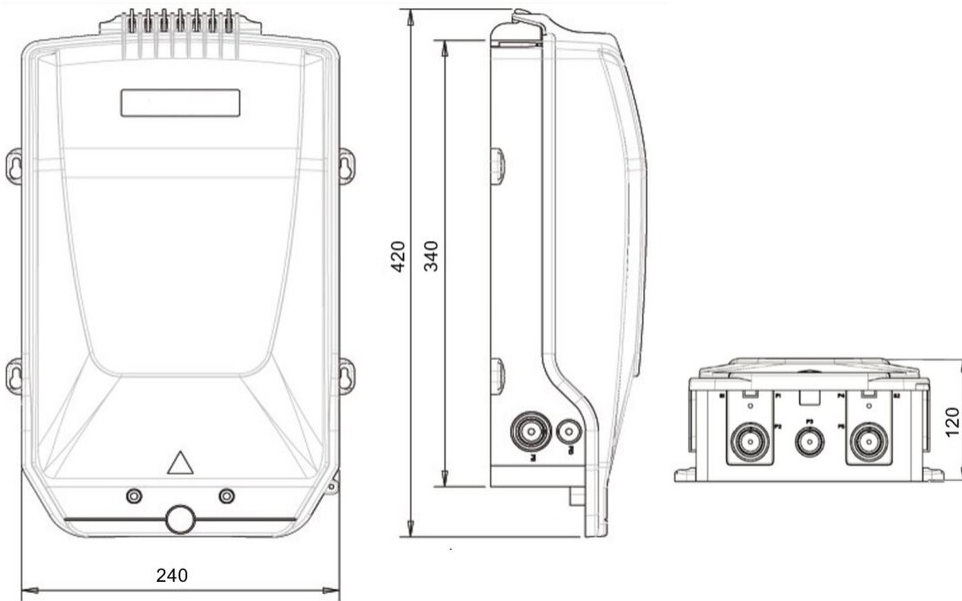
Dimensions

Height	340 mm 13.386 in
Height, with cover	420 mm 16.535 in
Width	240 mm 9.449 in

1-1154036-7 | BUDI-1S-TB-16-S2-48-E-S

Depth	120 mm 4.724 in
Cable Length	m
Outer Cable Diameter	mm

Dimension Drawing



Material Specifications

Enclosure Material Type	LSZH thermoplastic
--------------------------------	--------------------

Optical Specifications

Fiber Mode	Singlemode
-------------------	------------

Environmental Specifications

Environmental Space	Indoor/Outdoor
Qualification Standards	IEC 60529, IP54 IEC 61753-1, category G

Packaging and Weights

Packaging quantity	1
Packaging Type	Box Carton

Regulatory Compliance/Certifications

Agency

CHINA-ROHS

ROHS

UK-ROHS

Classification

Above maximum concentration value

Compliant/Exempted

Compliant/Exempted

