

Fiber Indoor Cable, LSZH Riser, All-Dielectric, Central Tube Ribbon, Singlemode, G.652.D and G.657.A1, 60 Fibers, Gel-free, Feet jacket marking, Yellow jacket color

## Product Classification

<b>Regional Availability</b>	Asia   Australia/New Zealand   EMEA   Latin America   North America
<b>Portfolio</b>	CommScope®
<b>Product Type</b>	Fiber indoor cable
<b>Product Series</b>	N-CN

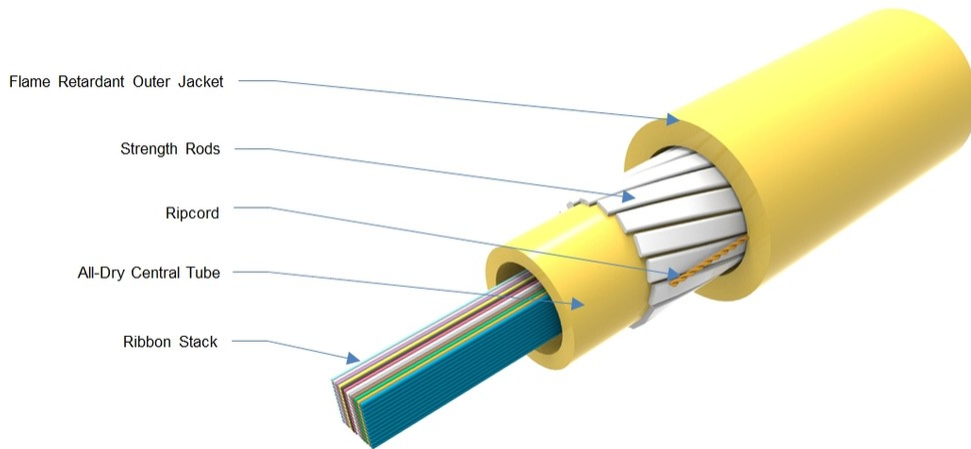
## General Specifications

<b>Cable Type</b>	Ribbon central tube
<b>Construction Type</b>	Non-armored
<b>Subunit Type</b>	Gel-free
<b>Fibers per Ribbon, quantity</b>	12
<b>Jacket Color</b>	Yellow
<b>Jacket Marking</b>	Feet
<b>Total Fiber Count</b>	60

## Dimensions

<b>Buffer Tube/Subunit Diameter</b>	6 mm   0.236 in
<b>Diameter Over Jacket</b>	9.4 mm   0.37 in

## Representative Image



## Mechanical Specifications

<b>Minimum Bend Radius, loaded</b>	188 mm   7.402 in
<b>Minimum Bend Radius, unloaded</b>	94 mm   3.701 in
<b>Tensile Load, long term, maximum</b>	334 N   75.086 lbf
<b>Tensile Load, short term, maximum</b>	1335 N   300.12 lbf
<b>Compression</b>	10 N/mm   57.101 lb/in
<b>Compression Test Method</b>	FOTP-41   IEC 60794-1 E3
<b>Flex</b>	25 cycles
<b>Flex Test Method</b>	FOTP-104   IEC 60794-1 E6
<b>Impact</b>	2.94 N-m   26.021 in lb
<b>Impact Test Method</b>	FOTP-25   IEC 60794-1 E4
<b>Strain</b>	See long and short term tensile loads
<b>Strain Test Method</b>	FOTP-33   IEC 60794-1 E1
<b>Twist</b>	10 cycles
<b>Twist Test Method</b>	FOTP-85   IEC 60794-1 E7

## Optical Specifications

<b>Fiber Type</b>	G.652.D and G.657.A1   G.652.D and G.657.A1
-------------------	---

## Environmental Specifications

<b>Installation temperature</b>	0 °C to +70 °C (+32 °F to +158 °F)
<b>Operating Temperature</b>	-20 °C to +70 °C (-4 °F to +158 °F)

# 760212183 | N-060-CN-RB-F12YL/8W/99E

---

<b>Storage Temperature</b>	-40 °C to +70 °C (-40 °F to +158 °F)
<b>Cable Qualification Standards</b>	ANSI/ICEA S-83-596   Telcordia GR-409
<b>Environmental Space</b>	Low Smoke Zero Halogen (LSZH)   Riser
<b>Flame Test Listing</b>	NEC OFNR-ST1 (UL) and c(UL)
<b>Flame Test Method</b>	IEC 60332-3   IEC 60754-2   IEC 61034-2   UL 1666   UL 1685

## Environmental Test Specifications

<b>Heat Age</b>	-20 °C to +85 °C (-4 °F to +185 °F)
<b>Heat Age Test Method</b>	IEC 60794-1 F9
<b>Low High Bend</b>	-20 °C to +70 °C (-4 °F to +158 °F)
<b>Low High Bend Test Method</b>	FOTP-37   IEC 60794-1 E11
<b>Temperature Cycle</b>	-20 °C to +70 °C (-4 °F to +158 °F)
<b>Temperature Cycle Test Method</b>	FOTP-3   IEC 60794-1 F1

## Packaging and Weights

<b>Cable weight</b>	90 kg/km   60.477 lb/kft
---------------------	--------------------------

## Regulatory Compliance/Certifications

<b>Agency</b>	<b>Classification</b>
ISO 9001:2015	Designed, manufactured and/or distributed under this quality management system

## Included Products

CS-8Z-RB-INDOOR – Low Water Peak Dispersion-Unshifted Singlemode Fiber

## \* Footnotes

**Operating Temperature** Specification applicable to non-terminated bulk fiber cable

# CS-8Z-RB-INDOOR

---

Low Water Peak Dispersion-Unshifted Singlemode Fiber

## Product Classification

<b>Portfolio</b>	CommScope®
<b>Product Type</b>	Optical fiber

## General Specifications

<b>Cladding Diameter</b>	125 µm
<b>Cladding Diameter Tolerance</b>	±0.7 µm
<b>Cladding Non-Circularity, maximum</b>	1 %
<b>Coating Diameter (Colored)</b>	250 µm
<b>Coating Diameter (Uncolored)</b>	245 µm
<b>Coating Diameter Tolerance (Colored)</b>	±15 µm
<b>Coating Diameter Tolerance (Uncolored)</b>	±10 µm
<b>Coating/Cladding Concentricity Error, maximum</b>	12 µm
<b>Core/Clad Offset, maximum</b>	0.5 µm
<b>Proof Test</b>	689.476 N/mm <sup>2</sup>   100000 psi

## Dimensions

<b>Fiber Curl, minimum</b>	4 m   13.123 ft
----------------------------	-----------------

## Mechanical Specifications

<b>Macrobending, 20 mm Ø mandrel, 1 turn</b>	0.75 dB @ 1,550 nm   1.50 dB @ 1,625 nm
<b>Macrobending, 30 mm Ø mandrel, 10 turns</b>	0.25 dB @ 1,550 nm   1.00 dB @ 1,625 nm
<b>Macrobending, 60 mm Ø mandrel, 100 turns</b>	0.03 dB @ 1,550 nm   0.03 dB @ 1,625 nm
<b>Coating Strip Force, maximum</b>	8.9 N   2.001 lbf
<b>Coating Strip Force, minimum</b>	1.3 N   0.292 lbf
<b>Dynamic Fatigue Parameter, minimum</b>	18

## Optical Specifications

<b>Cabled Cutoff Wavelength, maximum</b>	1260 nm
<b>Point Defects, maximum</b>	0.1 dB
<b>Zero Dispersion Slope, maximum</b>	0.092 ps/[km-nm-nm]

# CS-8Z-RB-INDOOR

---

<b>Zero Dispersion Wavelength, maximum</b>	1324 nm
<b>Zero Dispersion Wavelength, minimum</b>	1300 nm

## Optical Specifications, Wavelength Specific

<b>Attenuation, maximum</b>	0.30 dB/km @ 1,550 nm   0.40 dB/km @ 1,310 nm   0.40 dB/km @ 1,385 nm
<b>Backscatter Coefficient</b>	-79.6 dB @ 1,310 nm   -82.1 dB @ 1,550 nm
<b>Dispersion, maximum</b>	18 ps(nm-km) at 1550 nm   3.5 ps(nm-km) from 1285 nm to 1330 nm at 1310 nm
<b>Index of Refraction</b>	1.467 @ 1,310 nm   1.468 @ 1,385 nm   1.468 @ 1,550 nm
<b>Mode Field Diameter</b>	10.4 $\mu\text{m}$ @ 1,550 nm   9.2 $\mu\text{m}$ @ 1,310 nm   9.6 $\mu\text{m}$ @ 1,385 nm
<b>Mode Field Diameter Tolerance</b>	$\pm 0.4 \mu\text{m}$ @ 1310 nm   $\pm 0.5 \mu\text{m}$ @ 1550 nm   $\pm 0.6 \mu\text{m}$ @ 1385 nm
<b>Polarization Mode Dispersion Link Design Value, maximum</b>	0.2 ps/sqrt(km)
<b>Standards Compliance</b>	ITU-T G.652.D   ITU-T G.657.A1   TIA-492CAAB (OS2)

## Environmental Specifications

<b>Heat Aging, maximum</b>	0.05 dB/km @ 85 °C
<b>Temperature Dependence, maximum</b>	0.05 dB/km
<b>Temperature Humidity Cycling, maximum</b>	0.05 dB/km
<b>Water Immersion, maximum</b>	0.05 dB/km @ 23 °C

## Regulatory Compliance/Certifications

<b>Agency</b>	<b>Classification</b>
ISO 9001:2015	Designed, manufactured and/or distributed under this quality management system

## \* Footnotes

<b>Temperature Dependence, maximum</b>	Temperature dependence is conducted at -60 °C to +85 °C (-76 °F to +185 °F)
<b>Temperature Humidity Cycling, maximum</b>	Temperature humidity cycling is conducted at -10 °C to +85 °C (+14 °F to +185 °F) up to 95% relative humidity