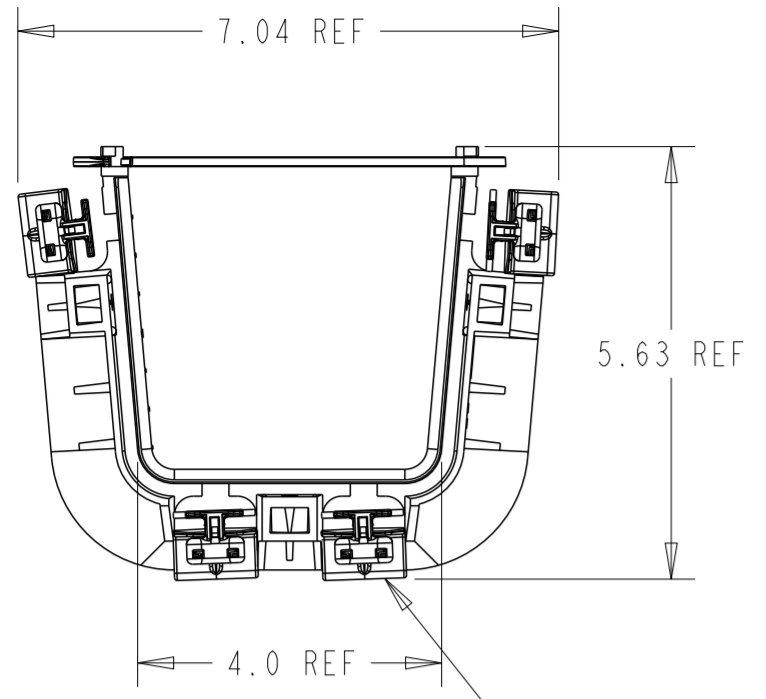
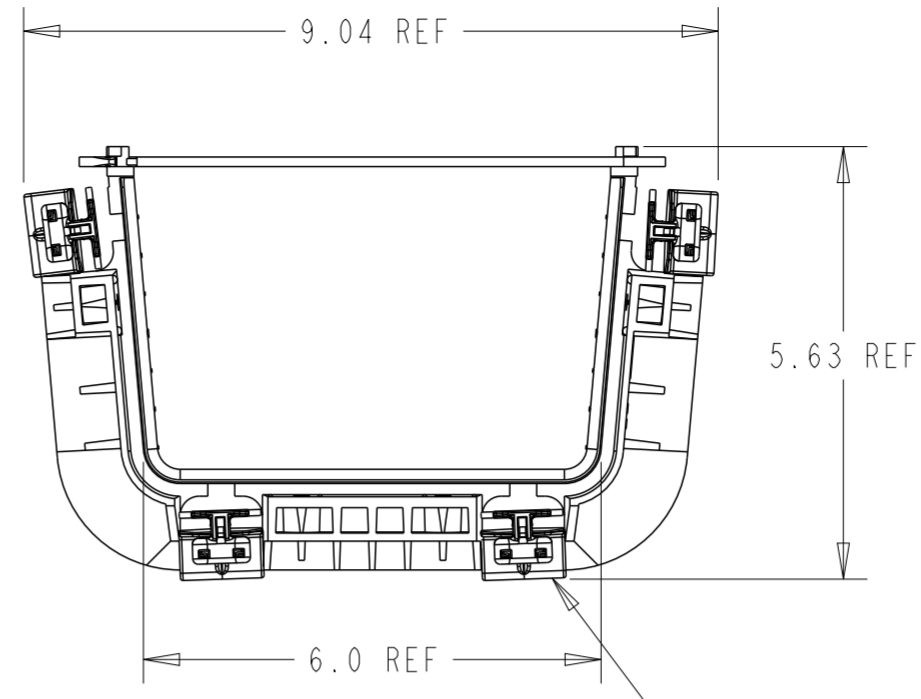
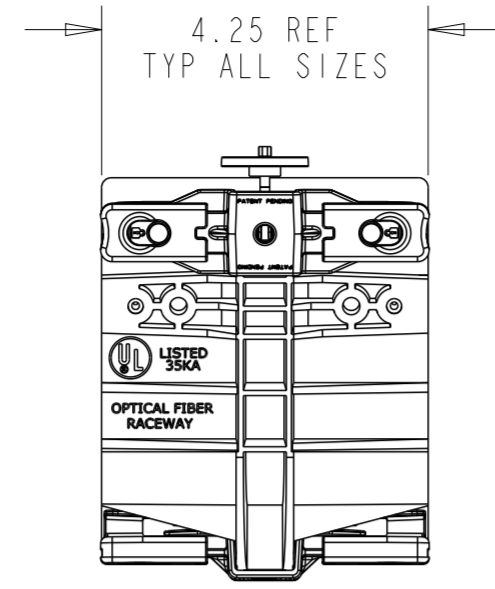


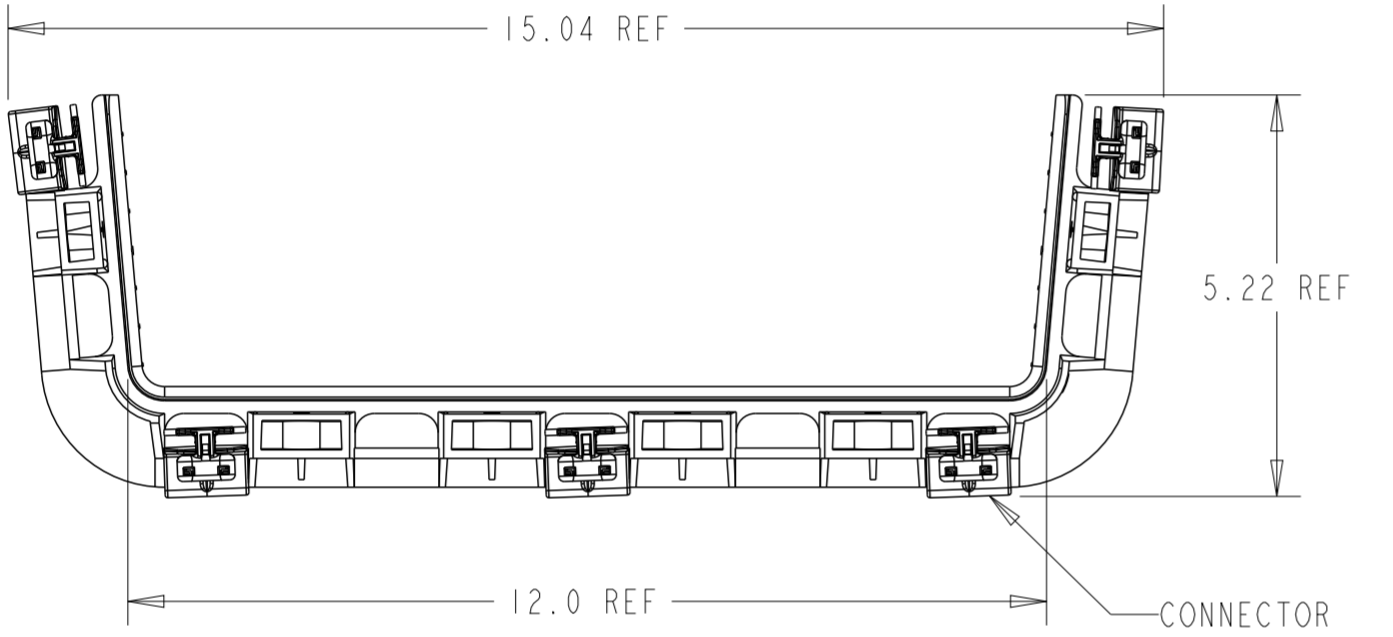
REVISIONS			
REV	CMO	DATE	APPROVED
G	40167067CMO	19-SEP-2023	ID
H	40194956CMO	08-MAY-2024	MAM



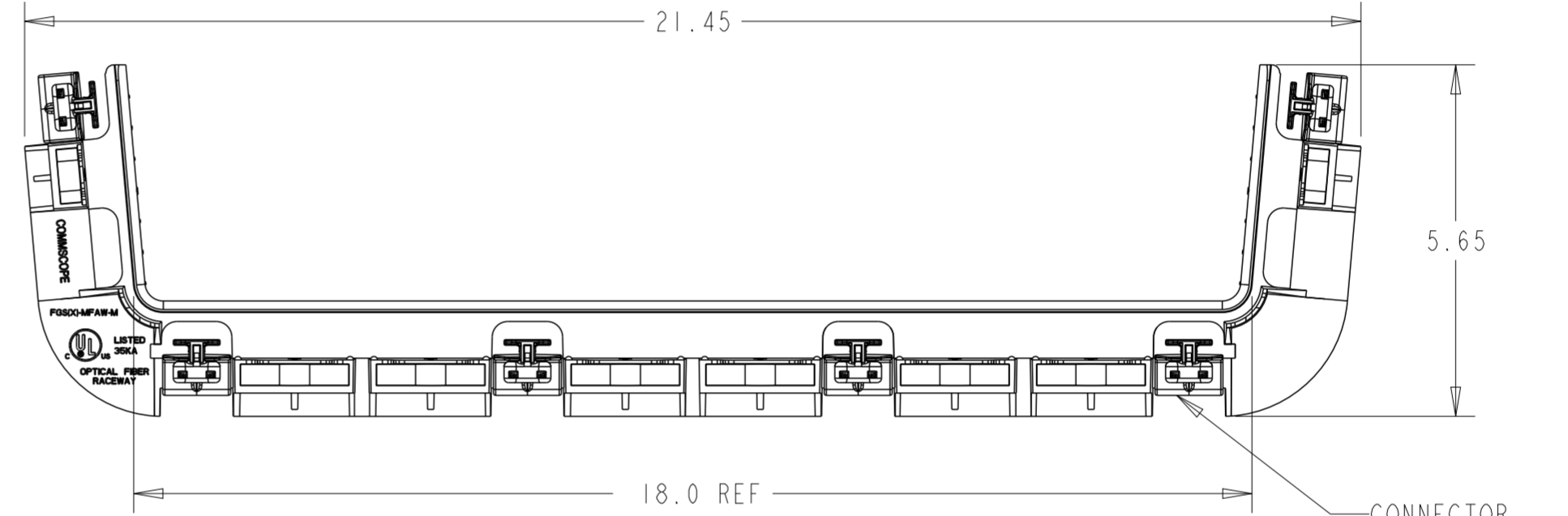
DETAIL A
4 X 4 JUNCTION



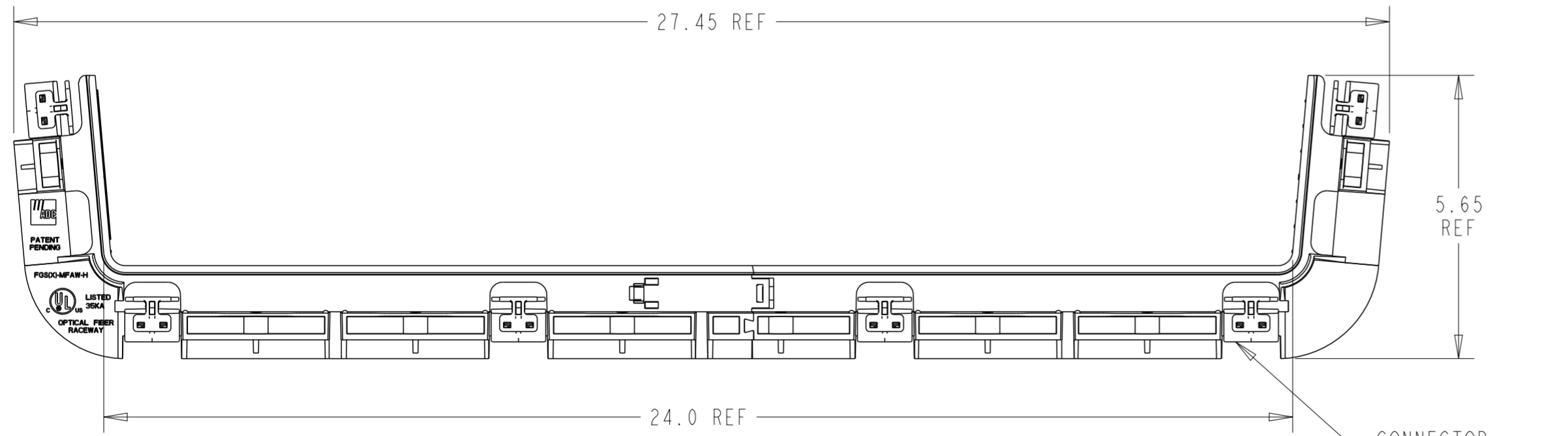
DETAIL B
4 X 6 JUNCTION



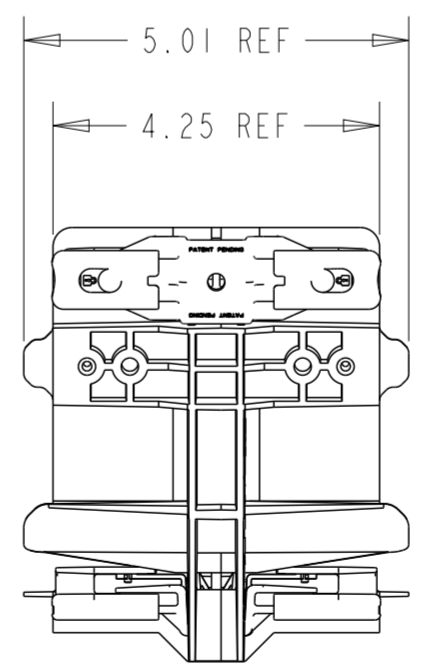
DETAIL C
4 X 12 JUNCTION



DETAIL D
4 X 18 JUNCTION



DETAIL E
4 X 24 JUNCTION



4 X 18
4 X 24

FGSB-MFAW-H	4 X 24	BLACK	E
FGSB-MFAW-M	4 X 18	BLACK	A
FGSB-MFAW-F	4 X 12	BLACK	C
FGSB-MFAW-B	4 X 6	BLACK	B
FGSB-MFAW-A	4 X 4	BLACK	A
FGS-MFAW-H	4 X 24	YELLOW	E
FGS-MFAW-M	4 X 18	YELLOW	D
FGS-MFAW-F	4 X 12	YELLOW	C
FGS-MFAW-B	4 X 6	YELLOW	B
FGS-MFAW-A	4 X 4	YELLOW	A
CATALOG	SIZE	COLOR	SEE DETAIL

COMMSCOPE, INC.

DRAFTER DEREK SAYRES	TITLE JUNCTION, SNAP-FIT,		
ENGINEER TIM HAATAJA	SIZE A2	SCALE 1.000	DOCUMENT NO. 1254813_ADC
	CUSTOMER DRAWING		REVISION H
			SHEET 1 OF 2

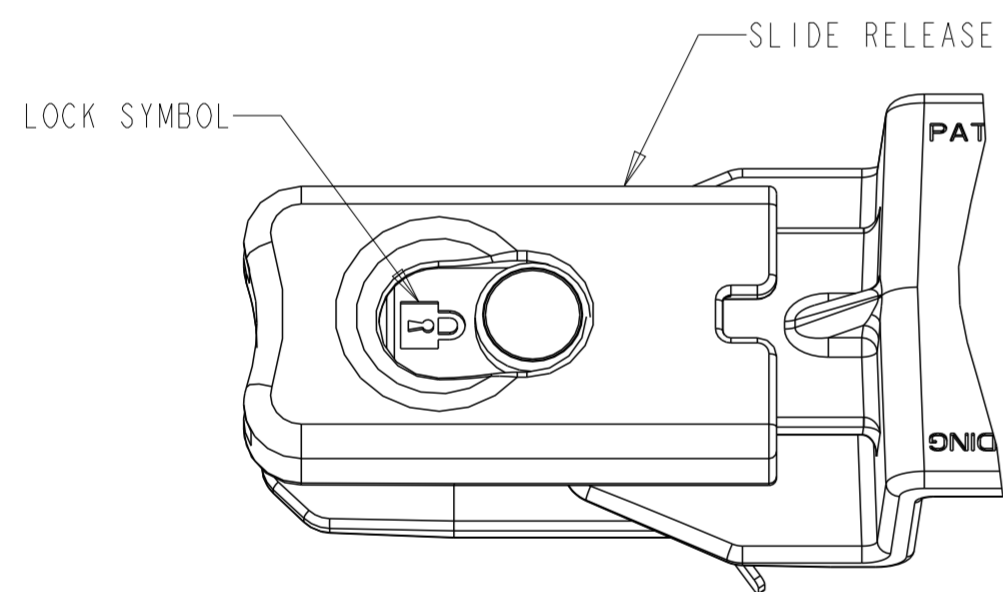
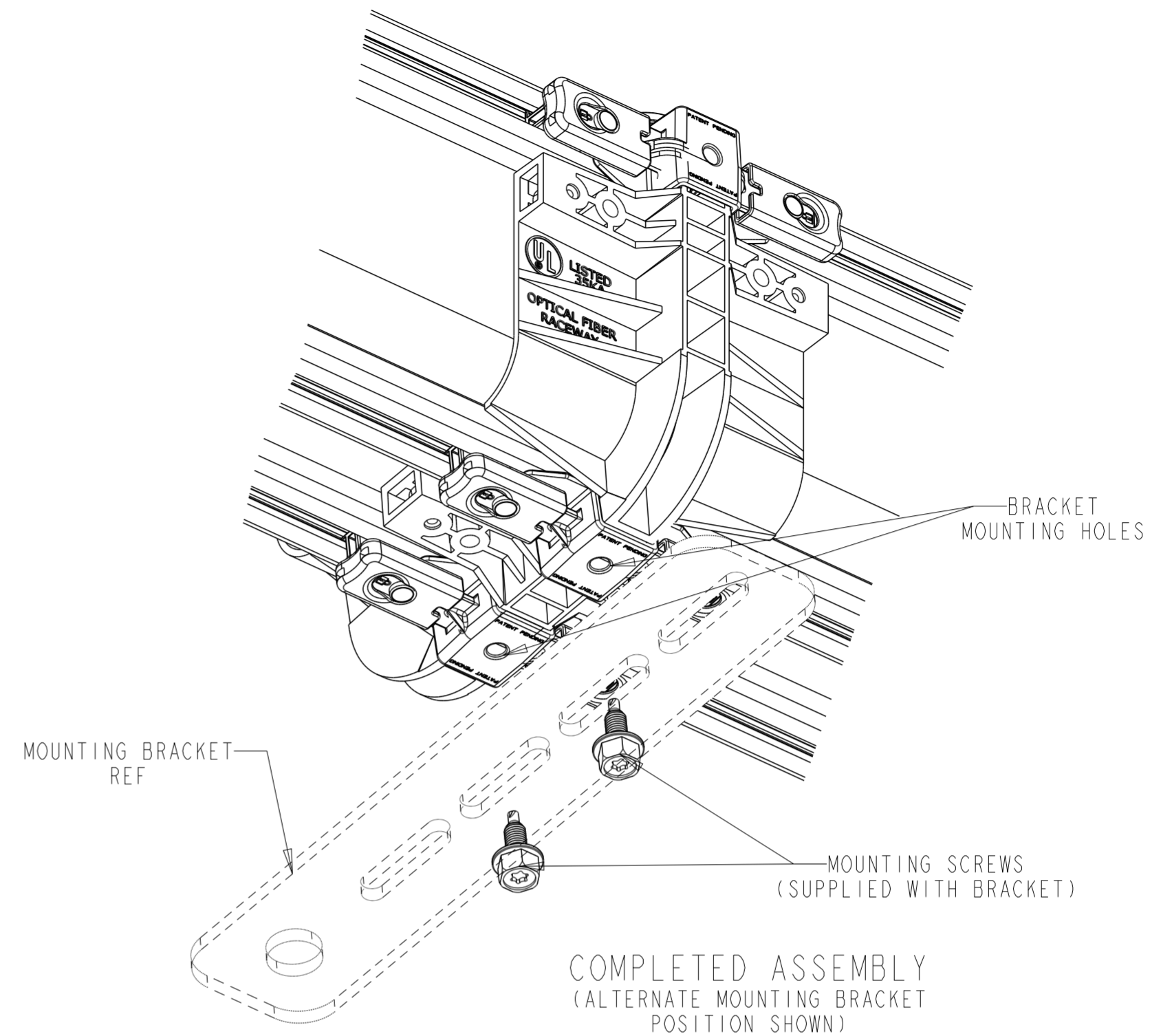
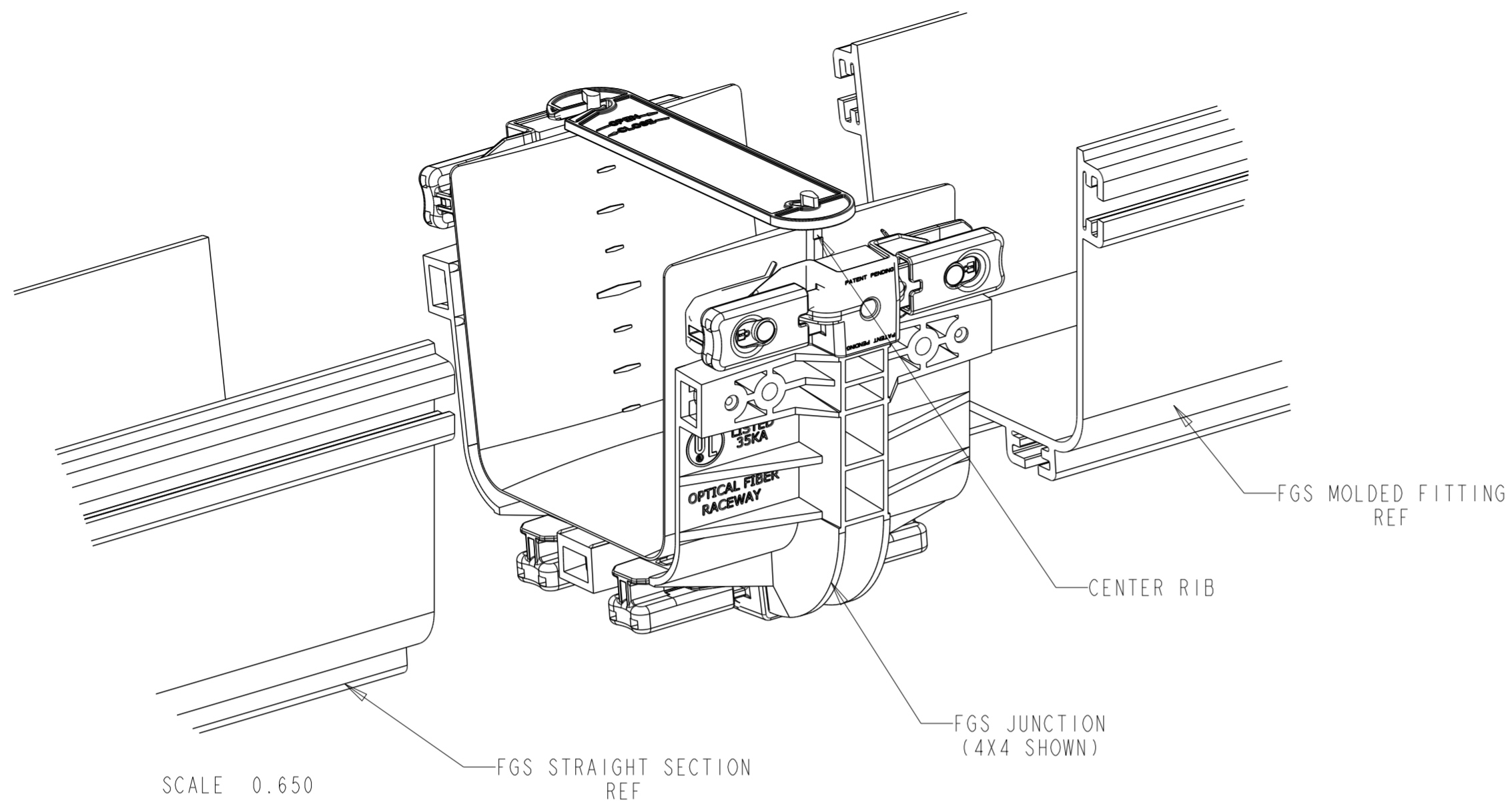


FIGURE 1
LOCKED POSITION
(FOR INSTALLATION OF JUNCTION)
SCALE 2.000

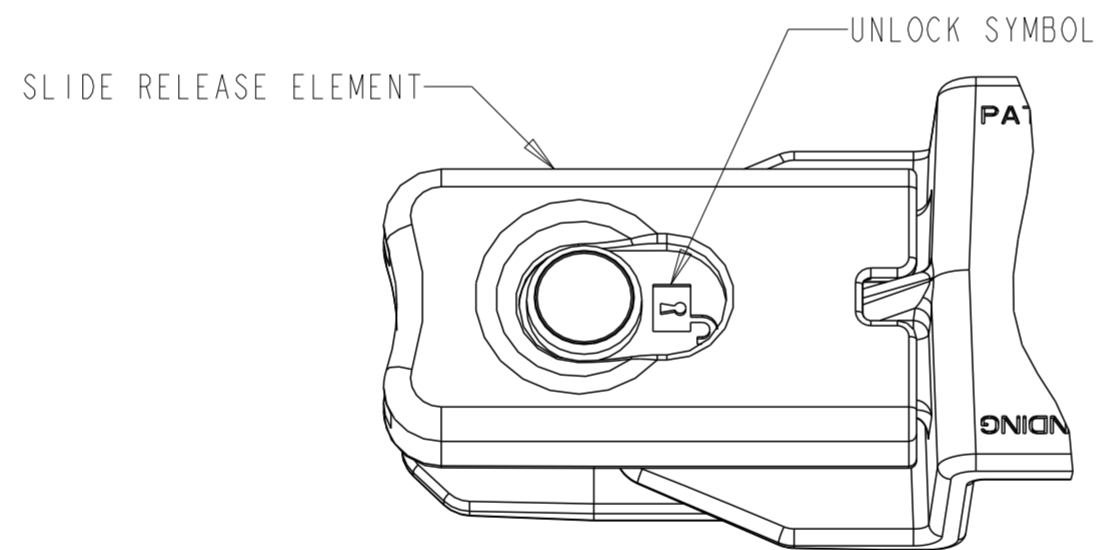


FIGURE 2
UNLOCKED POSITION
(FOR REMOVAL OF JUNCTION)
SCALE 2.000

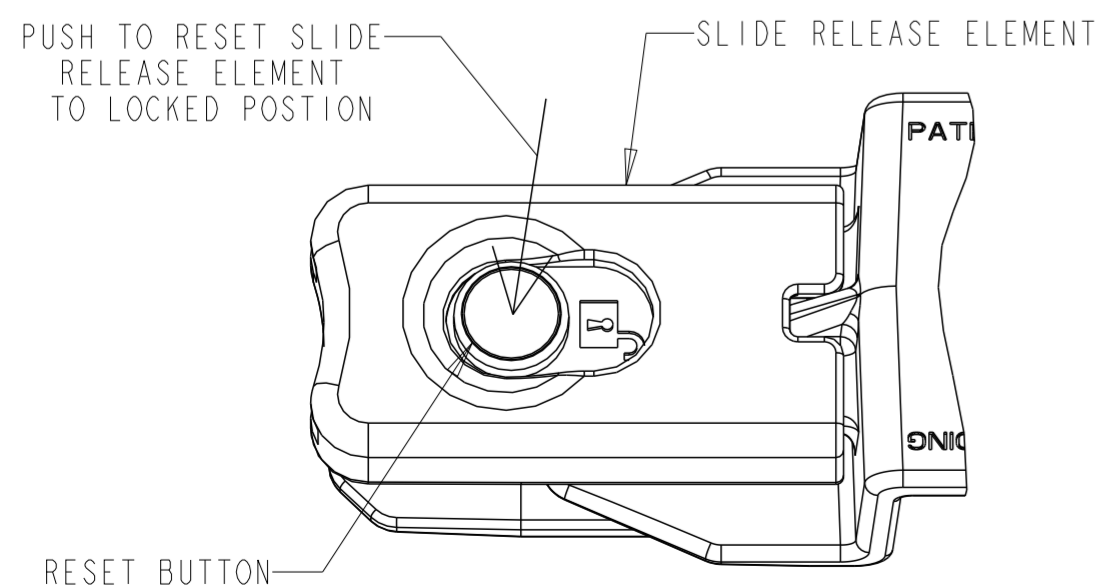


FIGURE 3
SCALE 2.000

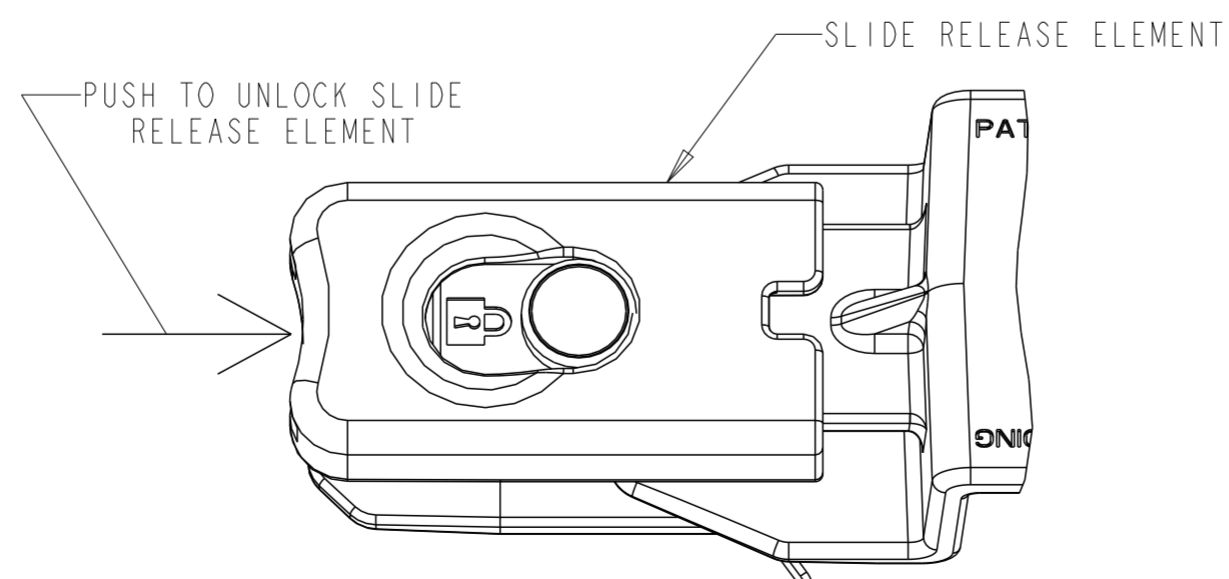


FIGURE 4
SCALE 2.000

INSTALLATION INSTRUCTIONS:

1. VERIFY THAT THE SLIDE RELEASE ELEMENTS ARE IN THE LOCKED POSITION (FIGURE 1).
2. IF SLIDE RELEASE ELEMENTS ARE IN THE UNLOCKED POSITION (FIGURE 2) PUSH THE RESET BUTTON (FIGURE 3) TO RELEASE THE SLIDE RELEASE ELEMENTS TO THE LOCKED POSITION (FIGURE 1).
3. SLIDE JUNCTION ONTO COMPONENT UNTIL FIRMLY SEATED AGAINST THE CENTER RIB.
4. JUNCTION INSTALLATION IS NOW COMPLETE.

REMOVAL INSTRUCTIONS:

1. PUSH THE RESET BUTTON INWARD (FIGURE 4), ON THE COMPONENT SIDE YOU WANT TO RELEASE, UNTIL IT SNAPS INTO THE UNLOCKED POSITION (FIGURE 2).
2. REMOVE JUNCTION FROM COMPONENT.
3. TO PREPARE JUNCTION FOR NEXT INSTALLATION, SEE STEP 2 UNDER INSTALLATION INSTRUCTIONS.

COMMSCOPE, INC.			
DRAFTER DEREK SAYRES		TITLE JUNCTION, SNAP-FIT,	
ENGINEER TIM HAATAJA	SIZE A2	SCALE 1.000	DOCUMENT NO. 1254813_ADC
CUSTOMER DRAWING			REVISION H
			SHEET 2 OF 2