

Fiber indoor/outdoor cable, TeraSPEED® Plenum Distribution Cable, interlocking aluminum armored with plenum jacket, Multimode /Singlemode, 36 fiber multi-unit with 12 fiber subunits, Black jacket color, Feet cable marking

## Product Classification

<b>Regional Availability</b>	Asia   Australia/New Zealand   Latin America   Middle East /Africa   North America
<b>Portfolio</b>	CommScope®
<b>Product Type</b>	Fiber indoor/outdoor cable
<b>Product Series</b>	P-OZ

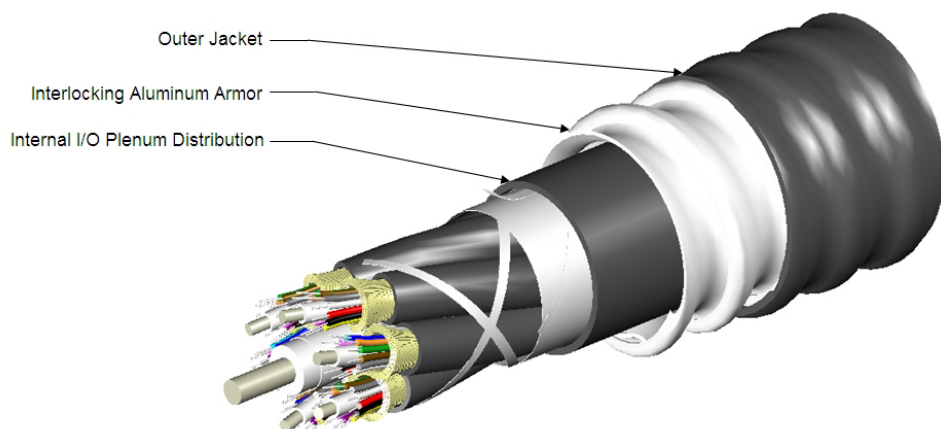
## General Specifications

<b>Armor Type</b>	Interlocking aluminum
<b>Cable Type</b>	Distribution
<b>Construction Type</b>	Armored
<b>Subunit Type</b>	Gel-free
<b>Jacket Color</b>	Black
<b>Jacket Marking</b>	Feet
<b>Subunit, quantity</b>	3
<b>Fibers per Subunit, quantity</b>	12
<b>Composite Fiber Count</b>	12 + 24
<b>Total Fiber Count</b>	36

## Dimensions

<b>Buffer Tube/Subunit Diameter</b>	6.9 mm   0.272 in
<b>Diameter Over Armor</b>	23.5 mm   0.925 in
<b>Diameter Over Jacket</b>	25.5 mm   1.004 in

## Representative Image



## Mechanical Specifications

<b>Minimum Bend Radius, loaded</b>	383 mm   15.079 in
<b>Minimum Bend Radius, unloaded</b>	255 mm   10.039 in
<b>Tensile Load, long term, maximum</b>	400 N   89.924 lbf
<b>Tensile Load, short term, maximum</b>	1335 N   300.12 lbf
<b>Compression</b>	85 N/mm   485.363 lb/in
<b>Compression Test Method</b>	FOTP-41   IEC 60794-1 E3
<b>Flex</b>	25 cycles
<b>Flex Test Method</b>	FOTP-104   IEC 60794-1 E6
<b>Impact</b>	35 N-m   309.776 in lb
<b>Impact Test Method</b>	FOTP-25   IEC 60794-1 E4
<b>Strain</b>	See long and short term tensile loads
<b>Strain Test Method</b>	FOTP-33   IEC 60794-1 E1
<b>Twist</b>	10 cycles
<b>Twist Test Method</b>	FOTP-85   IEC 60794-1 E7
<b>Vertical Rise, maximum</b>	80 m   262.467 ft

## Optical Specifications

<b>Fiber Type</b>	Composite MM/SM   G.652.D and G.657.A1, TeraSPEED®   OM4, LazrSPEED® 550
-------------------	--

## Environmental Specifications

# 760135004 | P-036-OZ-CM-FMUBK/8W012 /5K024

---

<b>Installation temperature</b>	-30 °C to +70 °C (-22 °F to +158 °F)
<b>Operating Temperature</b>	-25 °C to +70 °C (-13 °F to +158 °F)
<b>Storage Temperature</b>	-40 °C to +75 °C (-40 °F to +167 °F)
<b>Cable Qualification Standards</b>	ANSI/ICEA S-104-696   Telcordia GR-20 (water penetration for internal cable)   Telcordia GR-409
<b>Environmental Space</b>	Plenum
<b>Flame Test Listing</b>	NEC OFCP (ETL) and c(ETL)
<b>Flame Test Method</b>	NFPA 130   NFPA 262
<b>Jacket UV Resistance</b>	UV stabilized
<b>Water Penetration</b>	24 h
<b>Water Penetration Test Method</b>	FOTP-82   IEC 60794-1 F5

## Environmental Test Specifications

<b>Cable Freeze Test Method</b>	IEC 60794-1 F15
<b>Heat Age</b>	-40 °C to +85 °C (-40 °F to +185 °F)
<b>Heat Age Test Method</b>	IEC 60794-1 F9
<b>Low High Bend</b>	-40 °C to +70 °C (-40 °F to +158 °F)
<b>Low High Bend Test Method</b>	FOTP-37   IEC 60794-1 E11
<b>Temperature Cycle</b>	-40 °C to +70 °C (-40 °F to +158 °F)
<b>Temperature Cycle Test Method</b>	FOTP-3   IEC 60794-1 F1

## Packaging and Weights

<b>Cable weight</b>	510 kg/km   342.704 lb/kft
---------------------	----------------------------

## Regulatory Compliance/Certifications

<b>Agency</b>	<b>Classification</b>
ISO 9001:2015	Designed, manufactured and/or distributed under this quality management system



## Included Products

CS-5K-TB	- LazrSPEED® 550 OM4 Bend-Insensitive Multimode Fiber
CS-8W-TB	- TeraSPEED® Singlemode Fiber

\* Footnotes

**Operating Temperature** Specification applicable to non-terminated bulk fiber cable