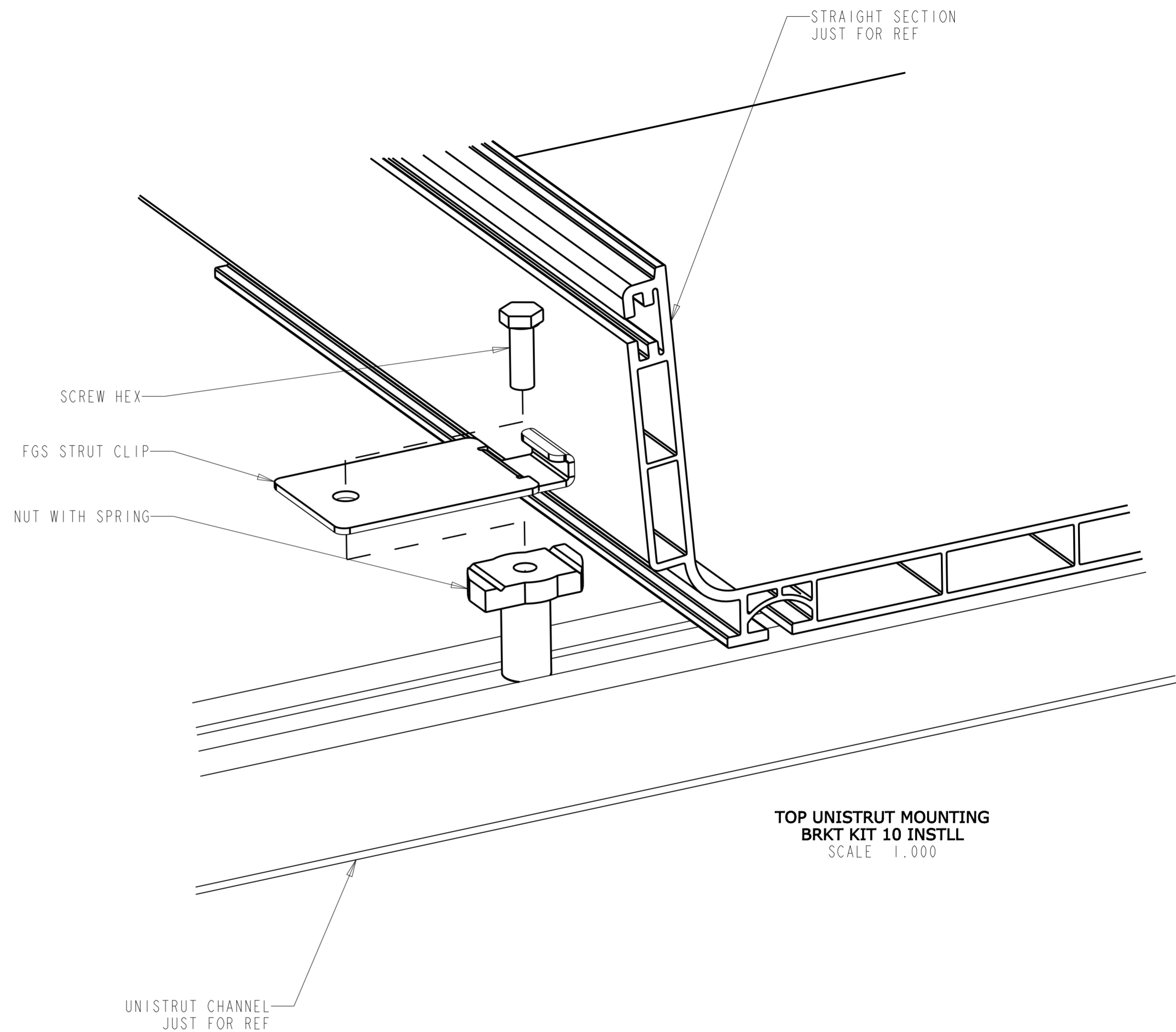
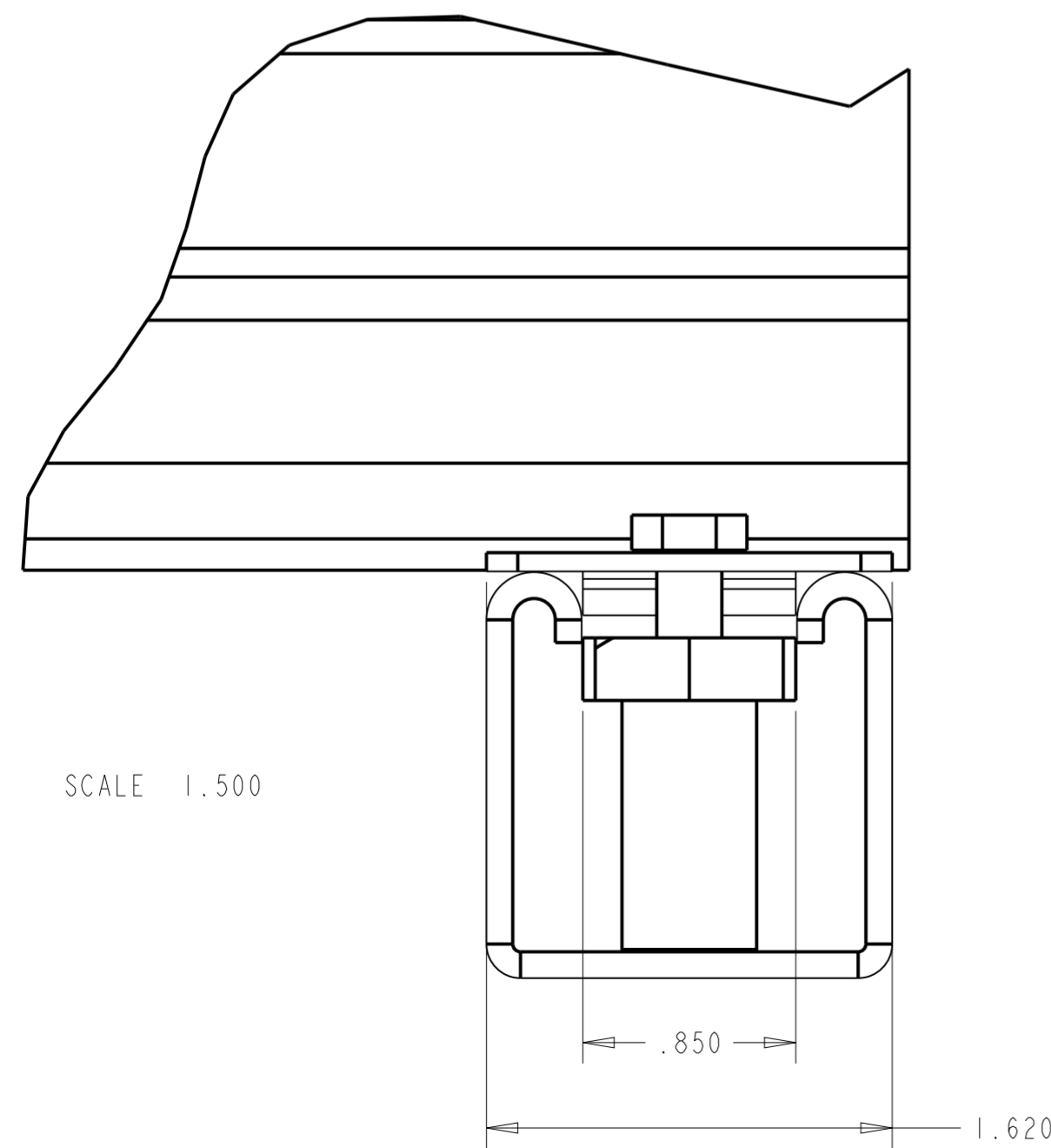
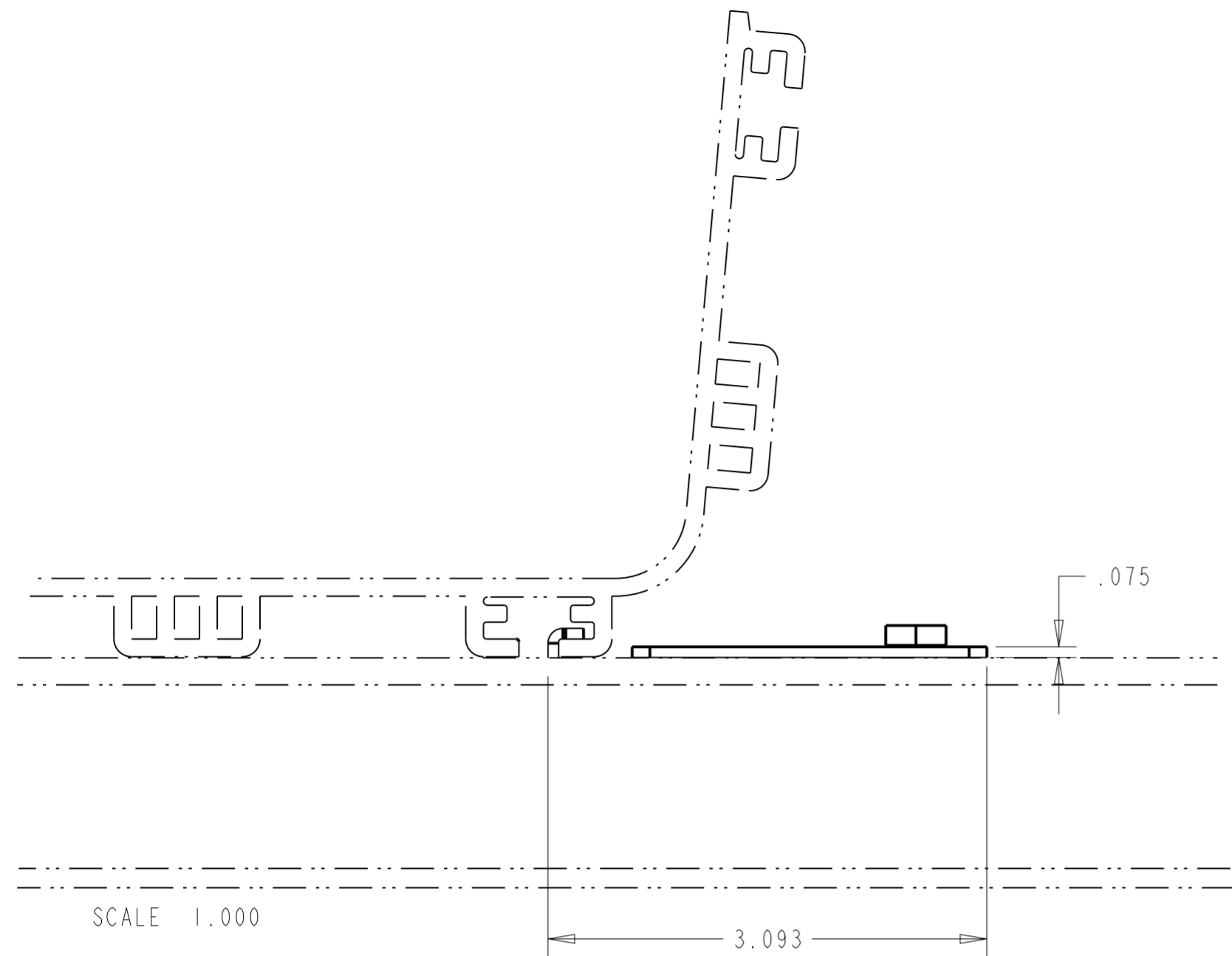


REVISIONS			
REV	CMO	DATE	APPROVED
	40098640CMO	15-JUN-2020	RAT



COMPONENT LIST	
DESCRIPTION	QTY
STRUT CLIP, FGS	10
N151-02 1/4-20, .250	10
SCREW HEX CA .750 X .25-208	10

CATALOG NUMBER: FGS-HLDR-M

COMMSCOPE, INC.			
DRAFTER RUBEN ARVILLA		TITLE INSTLL DWG FGS, TOP UNISTRUT, MOUNTING BRKT KIT 10	
ENGINEER RUBEN ARVILLA		SIZE A2	SCALE 0.036
		DOCUMENT NO. 660105173	
CUSTOMER DRAWING			REVISION SHEET 1 OF 1