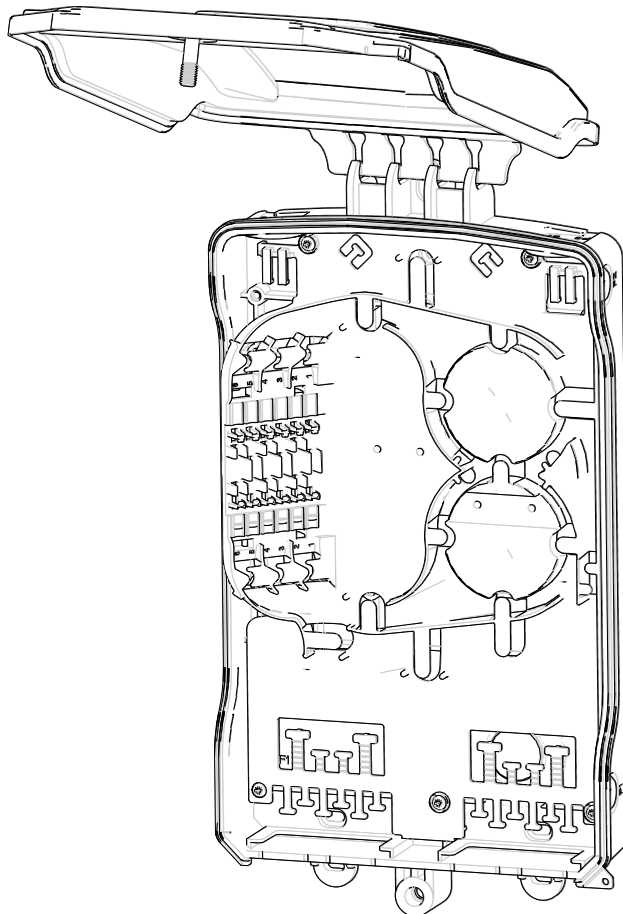


## IFEB10 - Splice Application

### 1 About this manual

This publication provides user information for the installation of the IFEB. The Indoor Fiber Entrance Box is ideal for small to medium size buildings. It provides a flexible fiber management system for transitioning outside plant cable to indoor cable via splicing or with connectorized cable assemblies. It incorporates proven fiber routing procedures, cable termination accessories and splice trays resulting in consistent, high-quality fiber management. Images in this manual are for reference only and are subject to change.

### 2 Product image

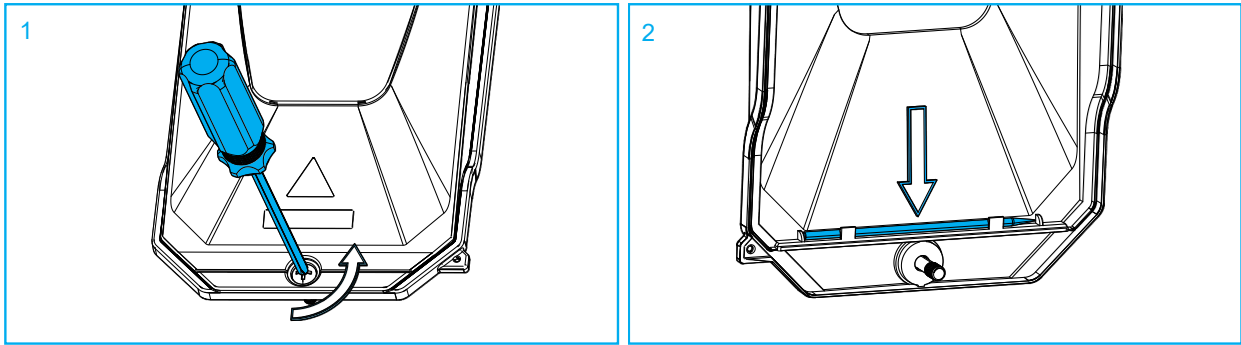


# Contents

<b>1 About this manual.....</b>	<b>1</b>	5.1 Install feeder cable.....	6
<b>2 Product image.....</b>	<b>1</b>	5.2 Route feeder fibers to tray.....	6
<b>3 IFEB preparation.....</b>	<b>3</b>	<b>6 Drop Cable.....</b>	<b>7</b>
3.1 Open the box.....	3	6.1 Drop cable installation.....	7
3.2 Install trays.....	3	6.2 Route drop fibers to tray.....	7
3.3 Seals.....	3	<b>7 Splicing.....</b>	<b>8</b>
<b>4 Prepare feeder/drop cables.....</b>	<b>5</b>	<b>8 Close the box.....</b>	<b>8</b>
4.1 Cable with aramid yarn.....	5	<b>9 Disclaimer.....</b>	<b>9</b>
<b>5 Feeder cable.....</b>	<b>6</b>	<b>10 Contact information.....</b>	<b>9</b>

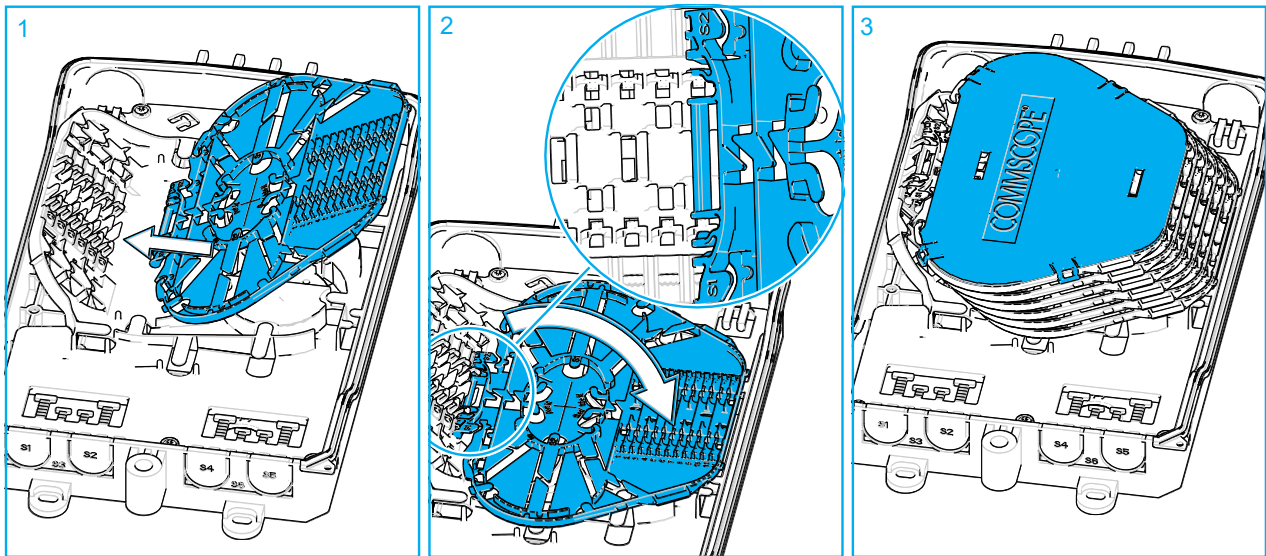
### 3 IFEB preparation

#### 3.1 Open the box



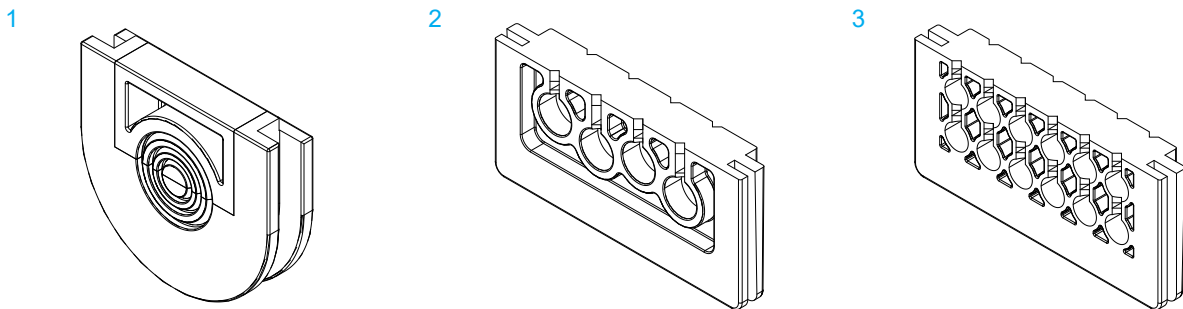
- 1 Open the box.
- 2 Locate the fiber guidance pen from inside the box cover. The pen is used to easily manipulate the fibers.

#### 3.2 Install trays



- 1 Install the first tray in the bottom position.
- 2 Lower the tray.
- 3 Install the remaining trays, stacking them upwards and place the cover on the top tray.

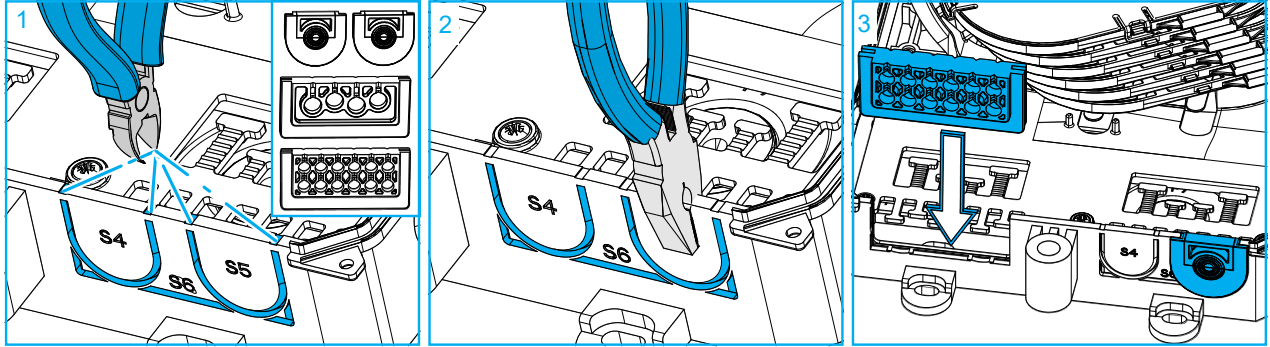
#### 3.3 Seals



N°	Description
1	Sealblock 1 x 15mm (feeder cable)
2	Sealblock 4 x 7mm (drop cable)
3	Sealblock 12 x 5mm (drop cable)


### 3.3.1 Install seals

Determine which seals are required.



1 Create a notch at the top of the ports corresponding to the selected seals.

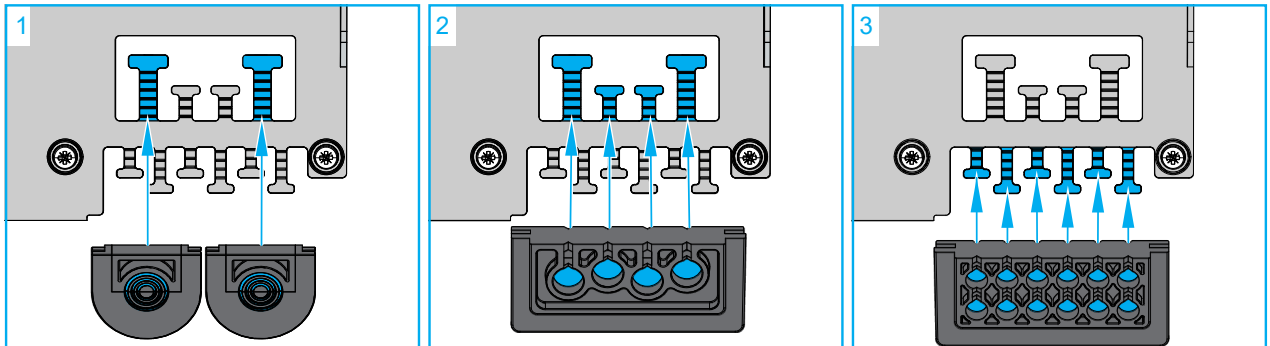
2 Open the appropriate ports.

 **Note:** Remove all sharp edges and burrs.

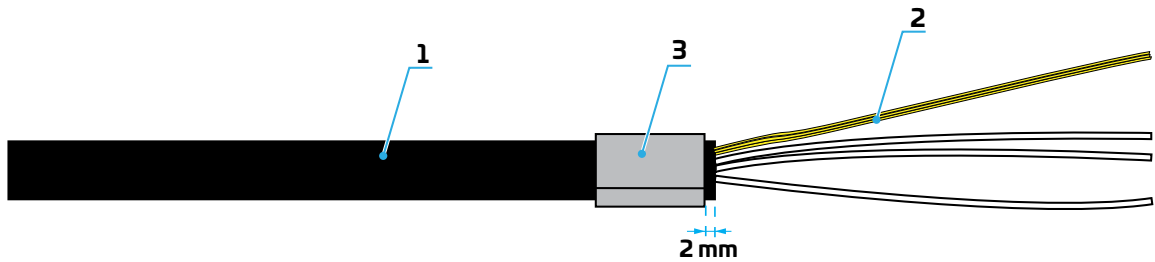
3 Install the seals.

### 3.3.2 T-shape use

Depending on the type of seal being applied, the correct T-shapes must be used. (see illustrations)

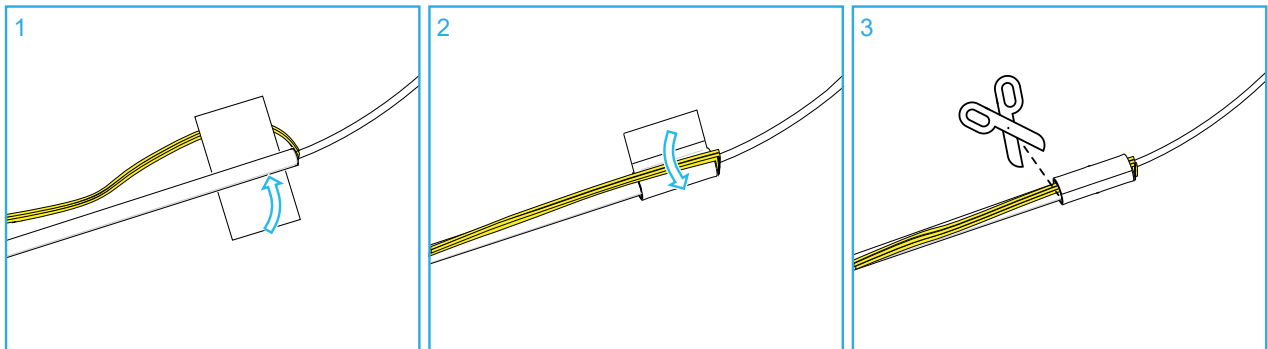


## 4 Prepare feeder/drop cables



N°	Description	Preparation
1	Jacket	Strip the feeder cable (1,5m)
2	Aramid yarn (optional)	Cut at 20 cm. <b>Note:</b> If aramid yarn is present proceed with section <b>Cable with aramid yarn on page 5.</b>
3	Protection tape	Wrap a piece of protection tape around the cable jacket at a distance of 2 mm from the jacket end.

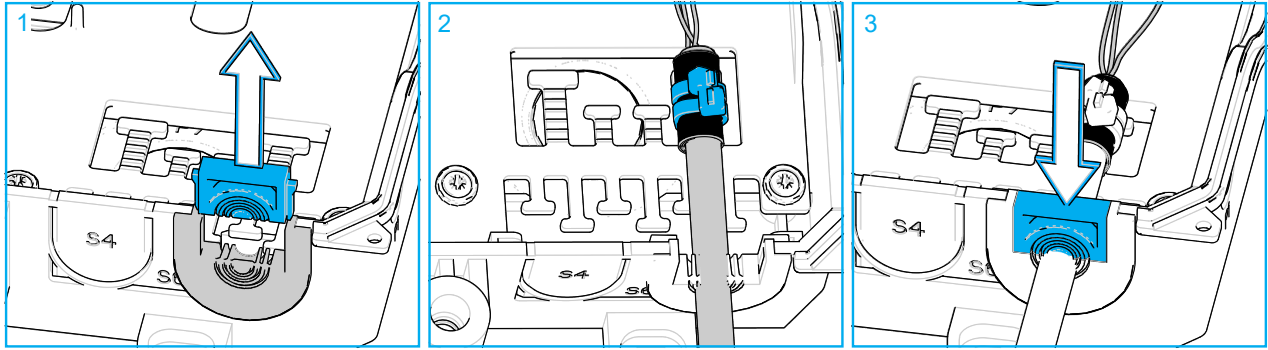
### 4.1 Cable with aramid yarn



- 1 Wrap a piece of protection tape around the cable jacket.
- 2 Pull the aramid yarn backwards and secure with the protection tape.
- 3 Cut the aramid yarn below the protection tape.

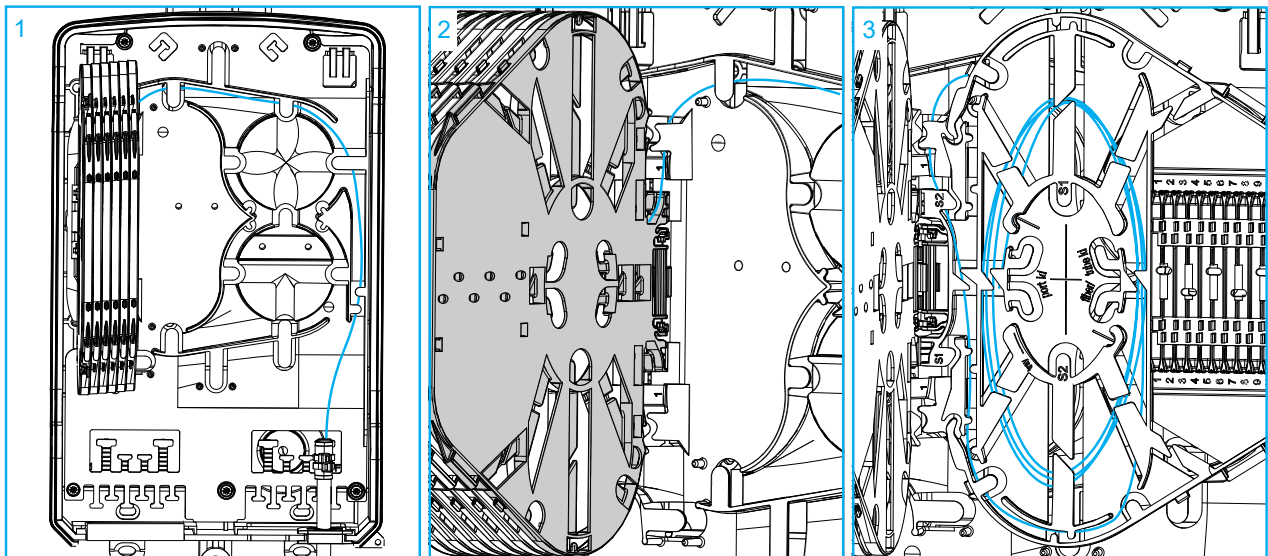
## 5 Feeder cable

### 5.1 Install feeder cable



- 1 Remove the top part of the grommet.
- 2 Remove the necessary number of rings from the seal to match the cable diameter. Install the cable on the t-shape and secure with two cable ties.
- 3 Reinstall the top part of the grommet.

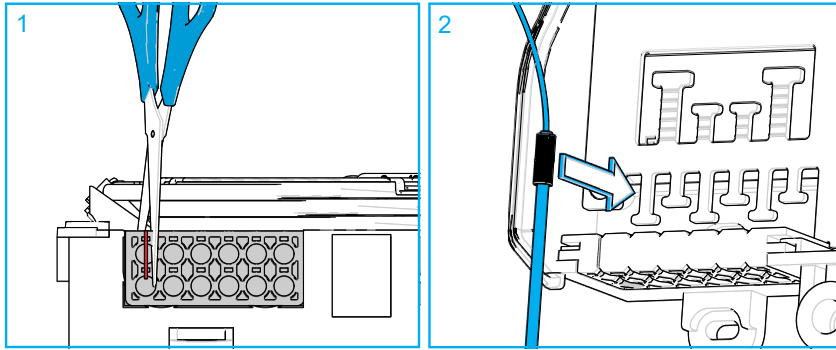
### 5.2 Route feeder fibers to tray



- 1 Route the feeder fibers as shown in the illustration.
- 2 Route the feeder fibers to the tray.
- 3 Store the feeder fibers on the tray.

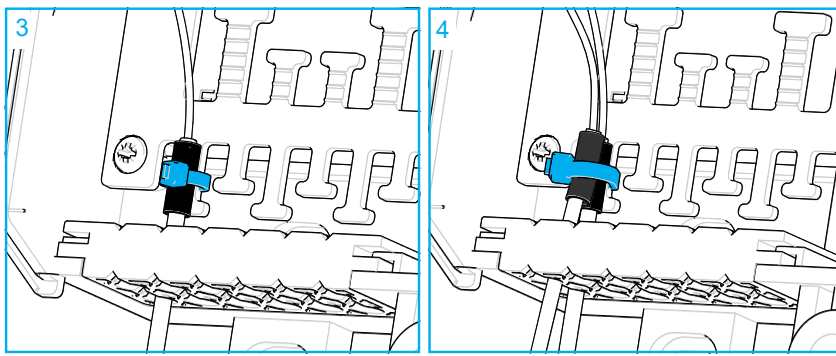
## 6 Drop Cable

### 6.1 Drop cable installation



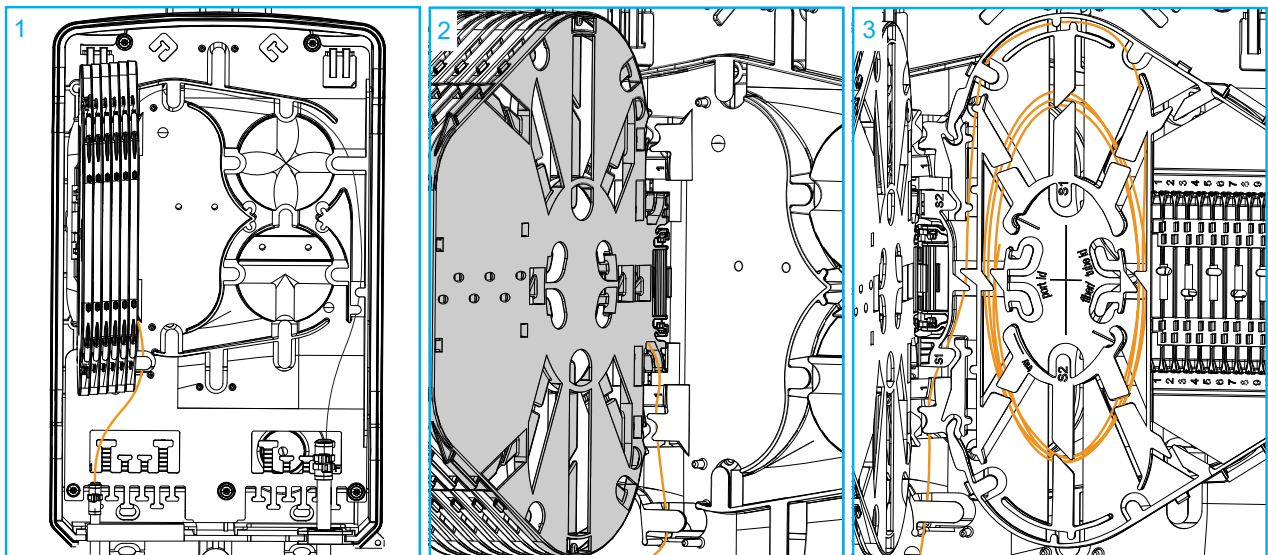
- 1 Cut the sealing bloc where the drop cable will be installed.
- 2 Apply protection tape on each cable, carefully slide the cable into the seal block.

**⚠ CAUTION:** Be careful that the cable is not damaged while sliding into the seal block.



- 3 Secure the cable with a cable tie as shown.
- 4 If needed, two cables can be secured on a t-shape with one cable tie.

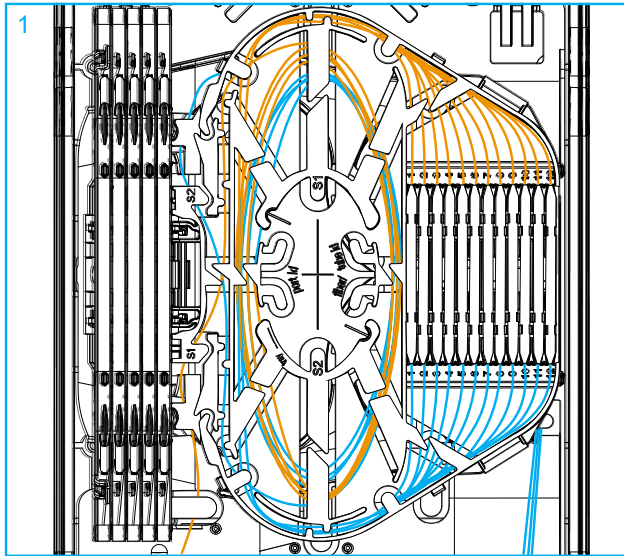
### 6.2 Route drop fibers to tray



- 1 Route the feeder fibers as shown in the illustration.
- 2 Route the feeder fibers to the tray.
- 3 Store the feeder fibers on the tray.

# 7

## Splicing

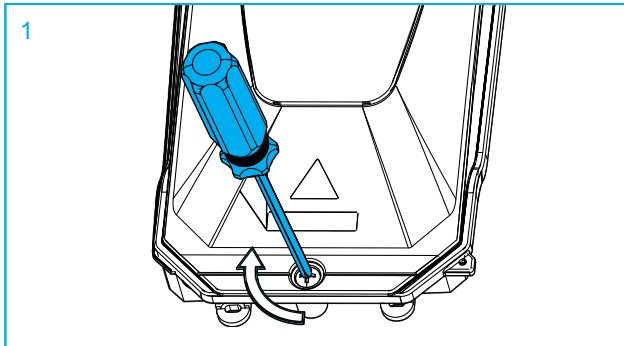


- 1 Make splice per local practice and store the splice protector in the splice protector holder. Store the over lengths in loops in the over length storage area.

# 8

## Close the box

- ⚠ CAUTION:** Ensure all cables are properly positioned inside the box to avoid damaging them when closing the cover.
- ⚠ CAUTION:** Secure all cables to the wall below the box before bending.



1. Secure by turning the locking screw clockwise.



## **9 Disclaimer**

All trademarks identified by ® are registered trademarks in the US and may be registered in other countries. All third party product names, trademarks and registered trademarks are property of their respective owners.

This product may be covered by one or more U.S. patents or their foreign equivalents. For patents, see [www.cs-pat.com](http://www.cs-pat.com).

This document is not intended to modify or supplement any specifications or warranties relating to CommScope products or services.

## **10 Contact information**

Visit our website or contact your local CommScope representative for more information. [www.commscope.com](http://www.commscope.com)

For technical assistance, customer service, or to report any missing/damaged parts, visit us at:

<http://www.commscope.com/SupportCenter>