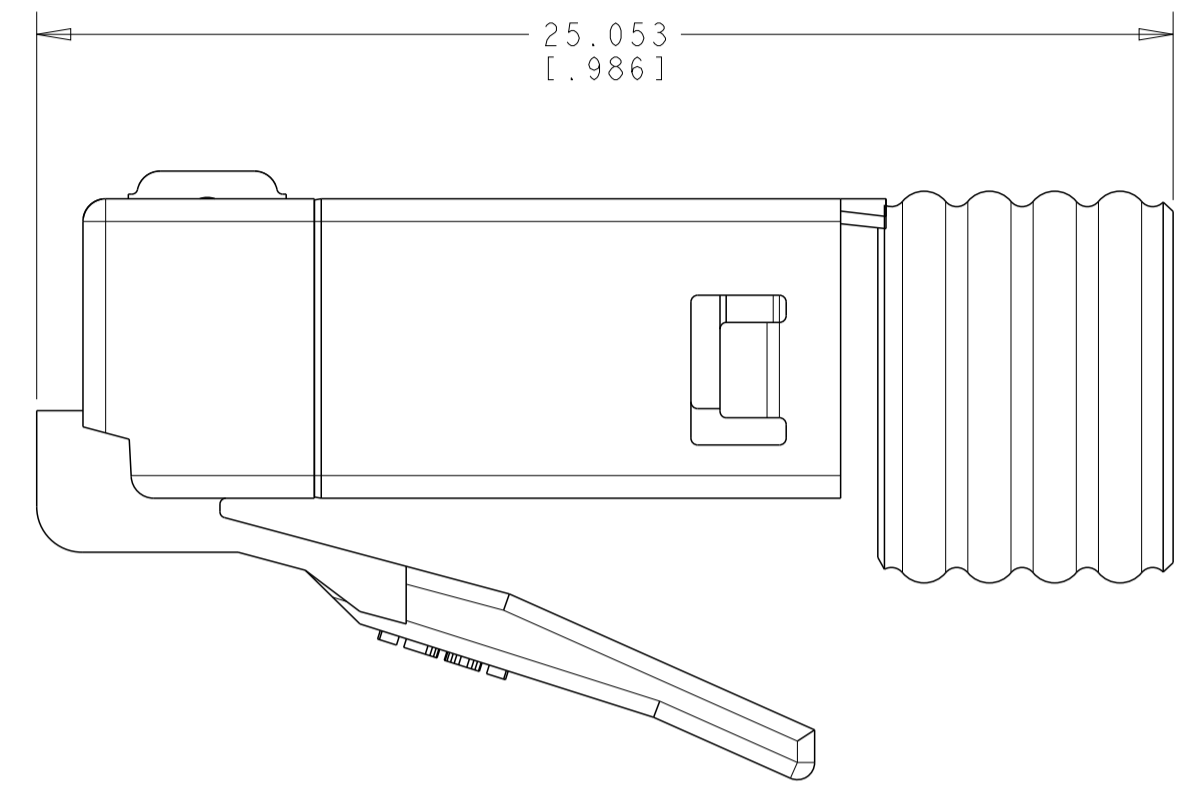
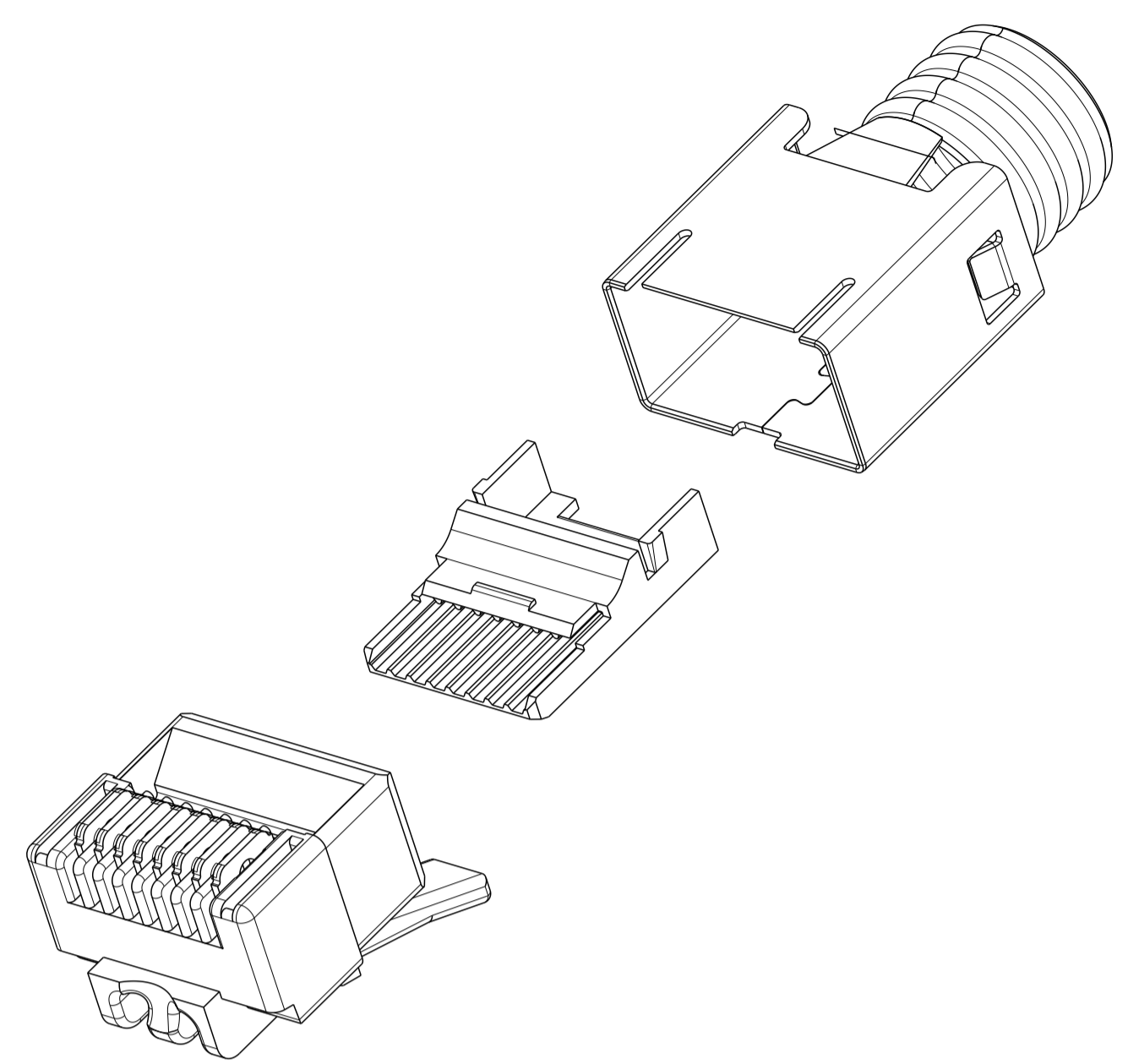


REVISIONS			
REV	DESCRIPTION	DATE	APPROVED
C	40060283CMO	08-MAR-2018	MS
D	40210693CMO	18-DEC-2024	SG

# MP-5EMT-

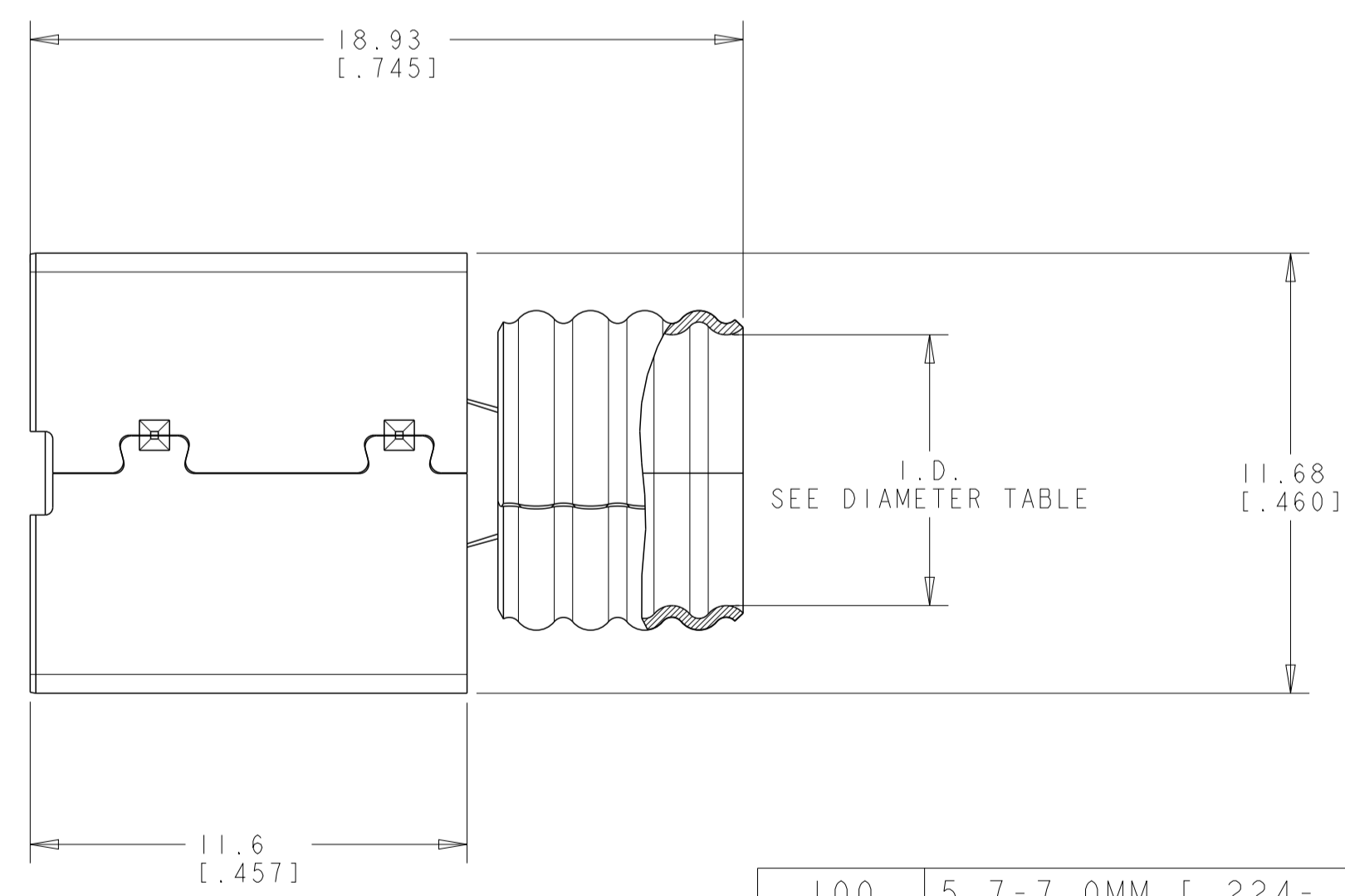
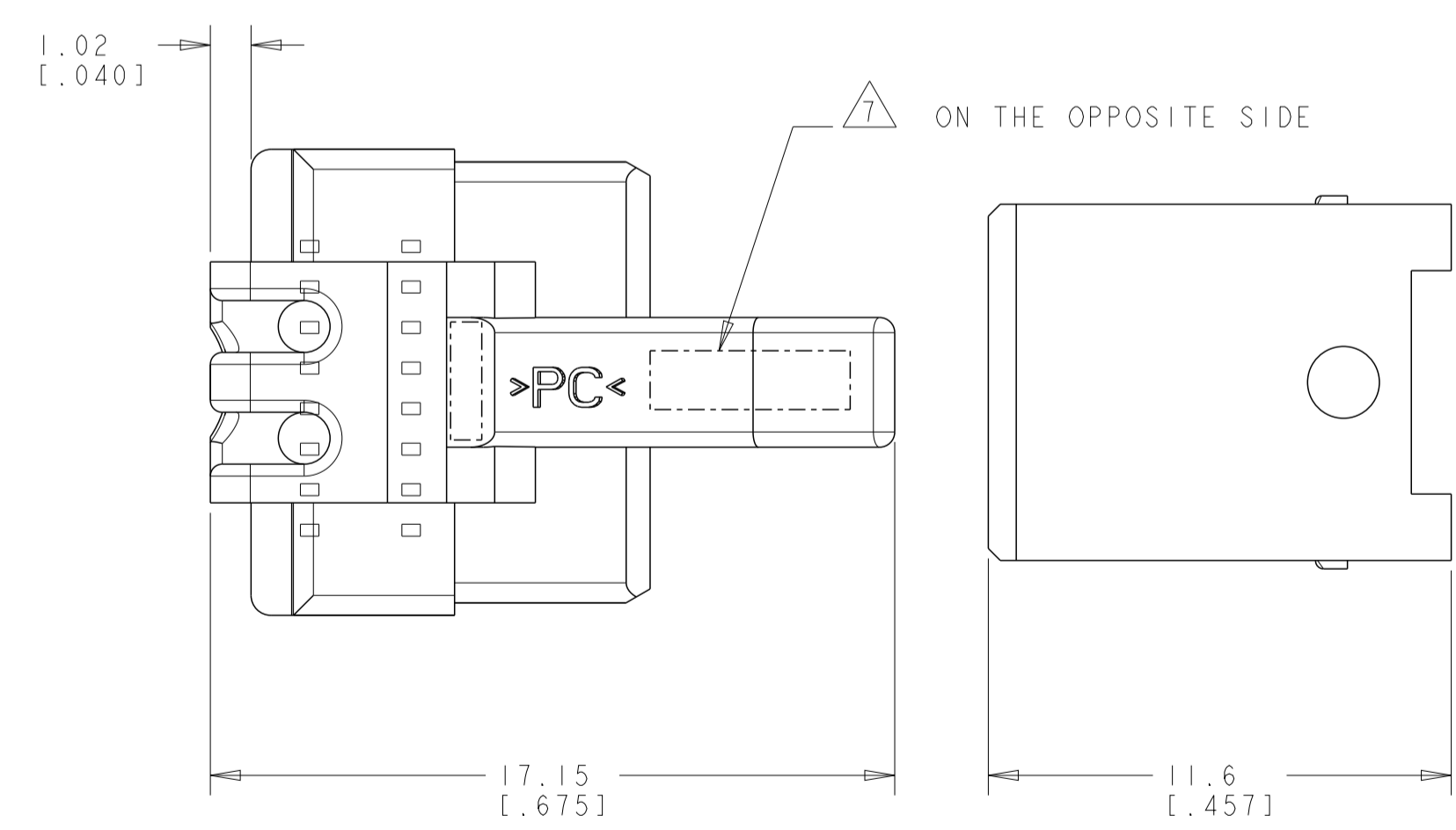
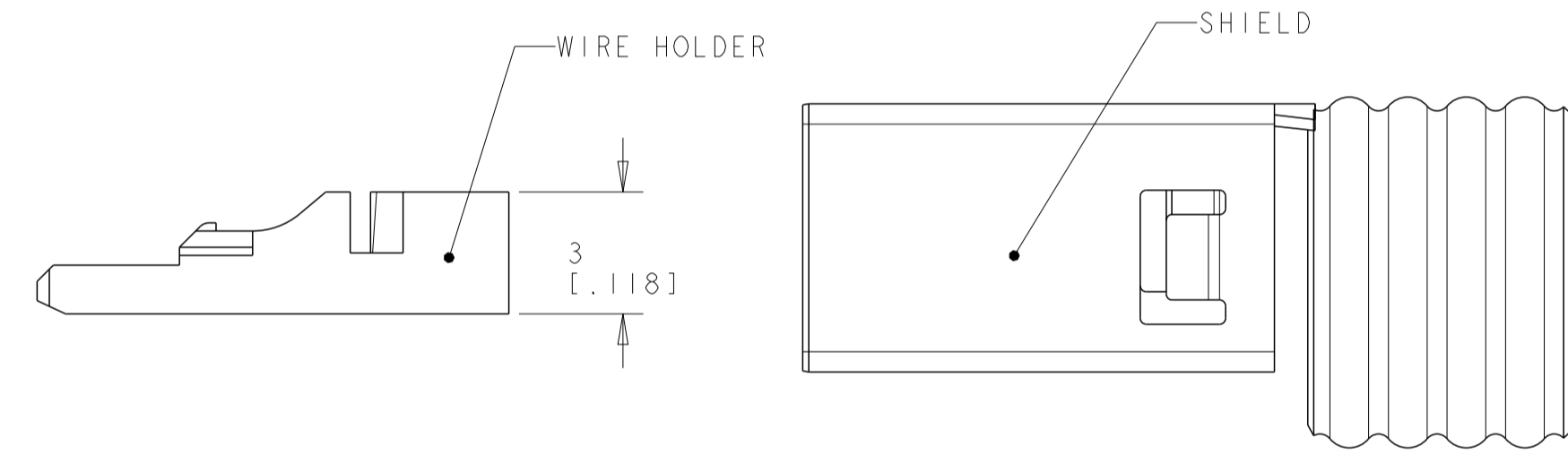
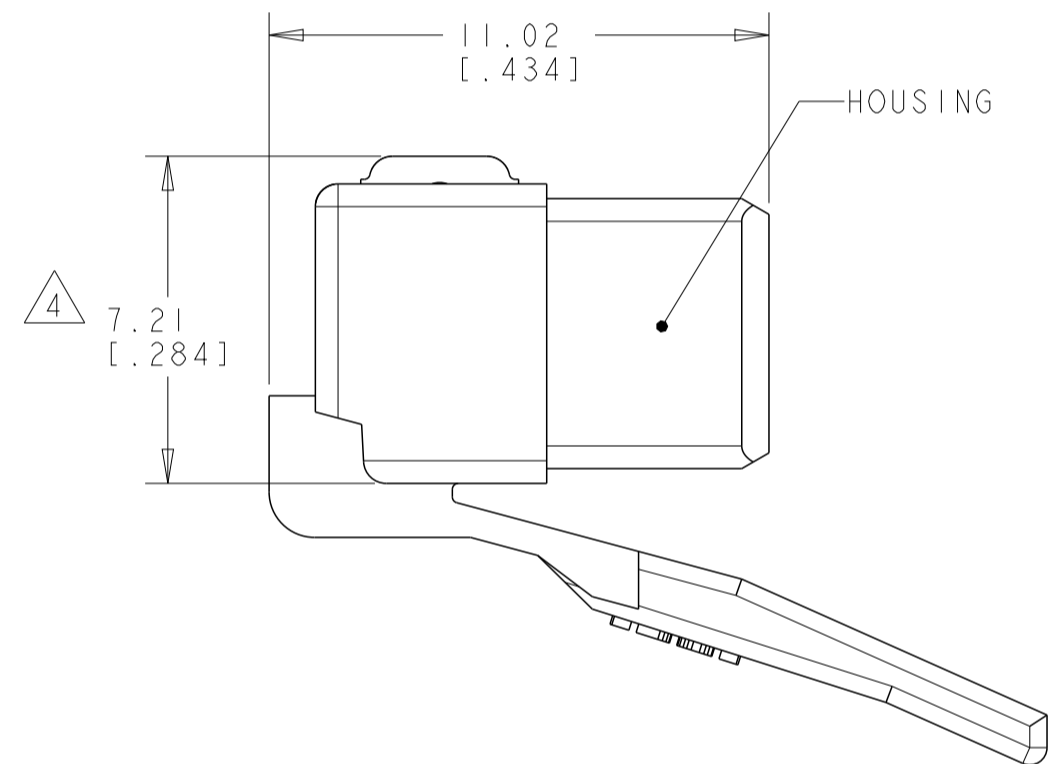
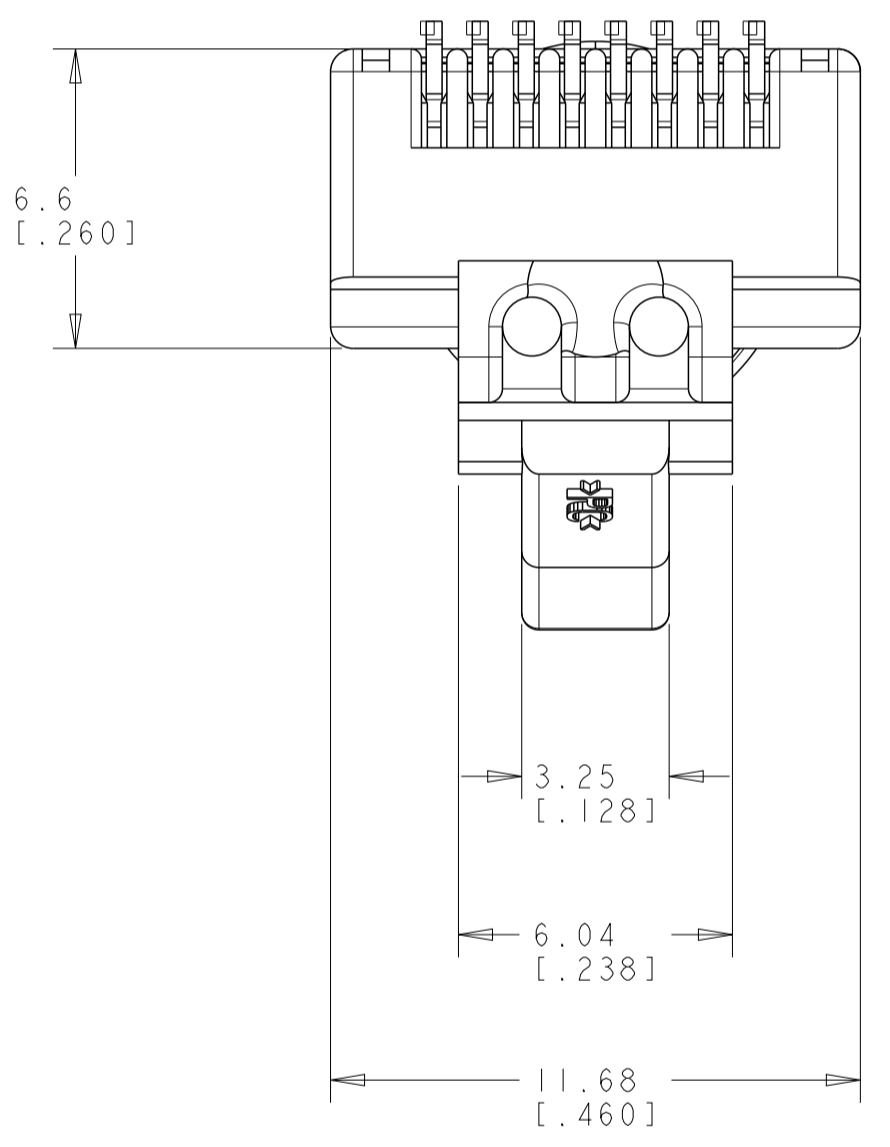


DIAMETER TABLE	
A:	4.7 - 5.5 MM [.185 - .217] IN
B:	5.1 - 6.0 MM [.201 - .236] IN
C:	5.7 - 7.0 MM [.224 - .276] IN

PACKAGE SIZE	
5	= 500
1	= 100

- MATERIAL: HOUSING - 94V-0 RATED POLYCARBONATE CLEAR  
TERMINAL - 0.305 [0.012] THICK PHOSPHOR BRONZE PLATED WITH 1.27 μm [0.00005] MINIMUM THICK GOLD IN LOCALIZED AREA, OVER 2.54 μm [0.000100] MINIMUM THICK NICKEL UNDERPLATE.  
WIRE HOLDER - POLYCARBONATE CLEAR.  
SHIELD - BRASS WITH 0.8 μm [0.000031] MINIMUM NICKEL PLATED.
  - DIMENSIONS ARE NOMINAL UNLESS OTHERWISE SPECIFIED.
  - PLUG WILL ACCEPT A 24-26 AWG STRANDED CONDUCTOR WITH SINGLE A INSULATION OF 0.8 - 1.0 [0.031 - .039] OR 23-24 AWG SOLID CONDUCTOR WITH A SINGLE INSULATION OF 0.8 - 1.0 [0.031 - .039].
  - TERMINATED DIMENSION 5.89 [0.232] - 6.15 [0.242].
  - SLIM-LINE MODULAR PLUG BOOT, PN 2153257-1 FOR "C" VERSION AND PN 2153256-1 FOR "A" OR "B" VERSION.
  - UL RECOGNIZED: FILE NUMBER E114344.
- TRADEMARK TEXT (COMMSCOPE LOGO) APPROXIMATELY LOCATED AS SHOWN

## FULLY ASSEMBLED



PACKAGE	CABLE DIAMETER	MATERIAL	CATALOG NUMBER
100	5.7-7.0MM [.224-.276]IN	6-2111988-3	MP-5EMT-C-1
500	5.7-7.0MM [.224-.276]IN	6-2111988-2	MP-5EMT-C-5
100	5.1-6.0MM [.201-.236]IN	6-2111986-3	MP-5EMT-B-1
500	5.1-6.0MM [.201-.236]IN	6-2111986-2	MP-5EMT-B-5
100	4.7-5.5MM [.185-.217]IN	6-2111976-3	MP-5EMT-A-1
500	4.7-5.5MM [.185-.217]IN	6-2111976-2	MP-5EMT-A-5

UNITS		mm [INCHES]		DRAFTER G. GARRETT		TITLE KIT, MOD PLUG, CATEGORY 5E, SHIELDED, CABLE RANGE 4.7 TO 7.0	
TOLERANCE	VALUE	SIZE	SCALE				
0 PLC	-	A1	6:1	ENGINEER J. GENIAC		DOCUMENT NO. <b>2843003</b>	
1 PLC	-						
2 PLC	-						
3 PLC	-						
4 PLC	-						
ANGLE TOL	-	REVISION SHEET					
SURFACE TOL	-	D 1 OF 1					

COMMSCOPE, INC.  
CUSTOMER DRAWING