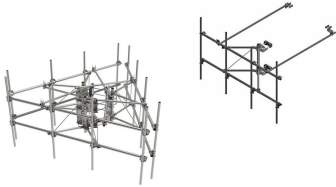


G22-SERIES-MONOPOLE

Base Product



G22 Series Medium Capacity Monopole Frames

G22 Series Monopole & Tower Sector Frames feature a medium duty sector frame option for a tailored solution when heavy duty load conditions are not required. Offerings include 10ft, 12ft, and 14ft face widths and feature double tie-backs. The G22 Family includes:

- SFG22HD: Tower Sector Frames with 2-7/8" OD Face Pipes & 2-3/8" OD Antenna Pipes
- MCG22HD: Monopole Sector Frames with 2-7/8" OD Face Pipes & 2-3/8" OD Antenna Pipes
- SFG22HDX: Tower Sector Frames with 2-7/8" OD Face Pipes & 2-7/8" OD Antenna Pipes
- MCG22HDX: Monopole Sector Frames with 2-7/8" OD Face Pipes & 2-7/8" OD Antenna Pipes

Product Classification

Product Type High capacity Tower sector frame

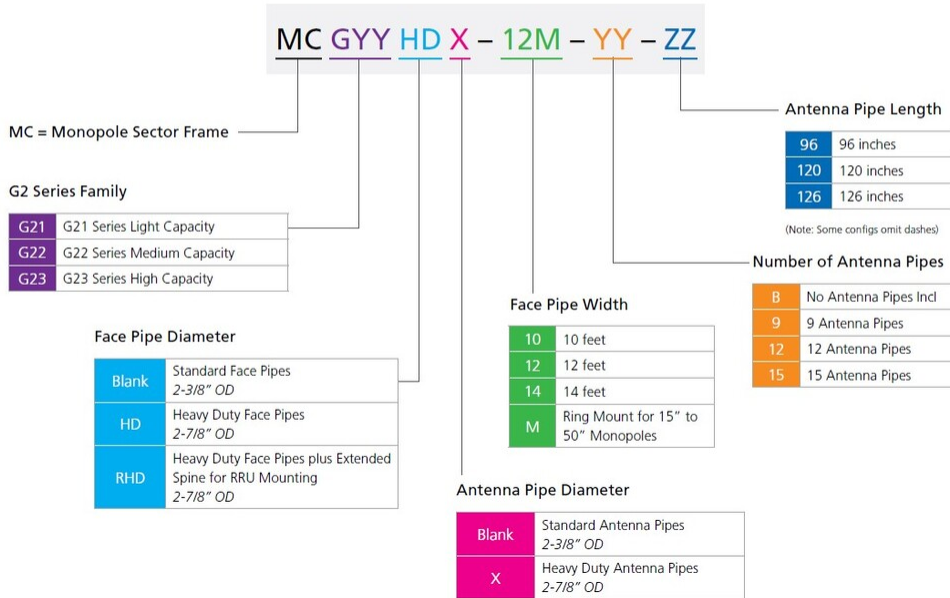
Product Series G2

Ordering Tree

G22-SERIES-MONOPOLE

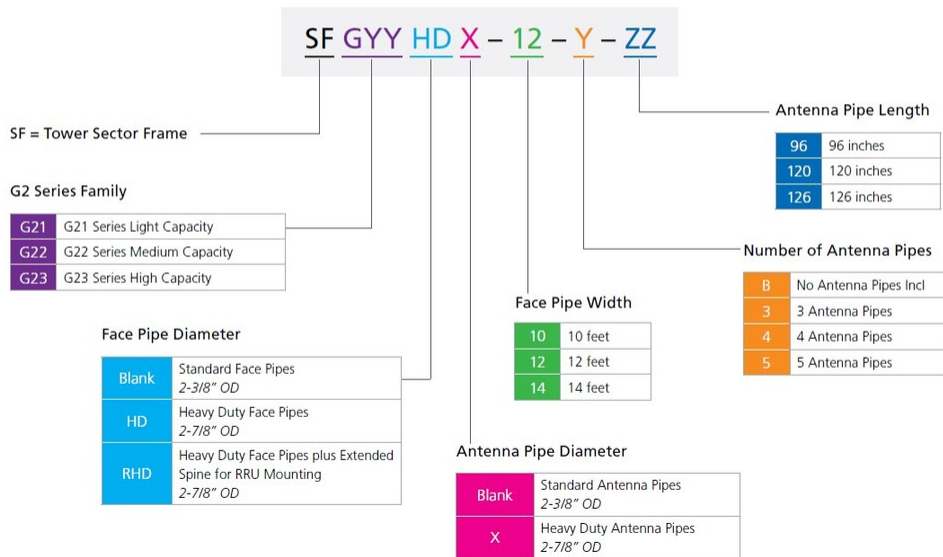
Part number nomenclature

G2 series monopole sector frame



Part number nomenclature

G2 series tower sector frame



G22-SERIES-MONOPOLE
