

4

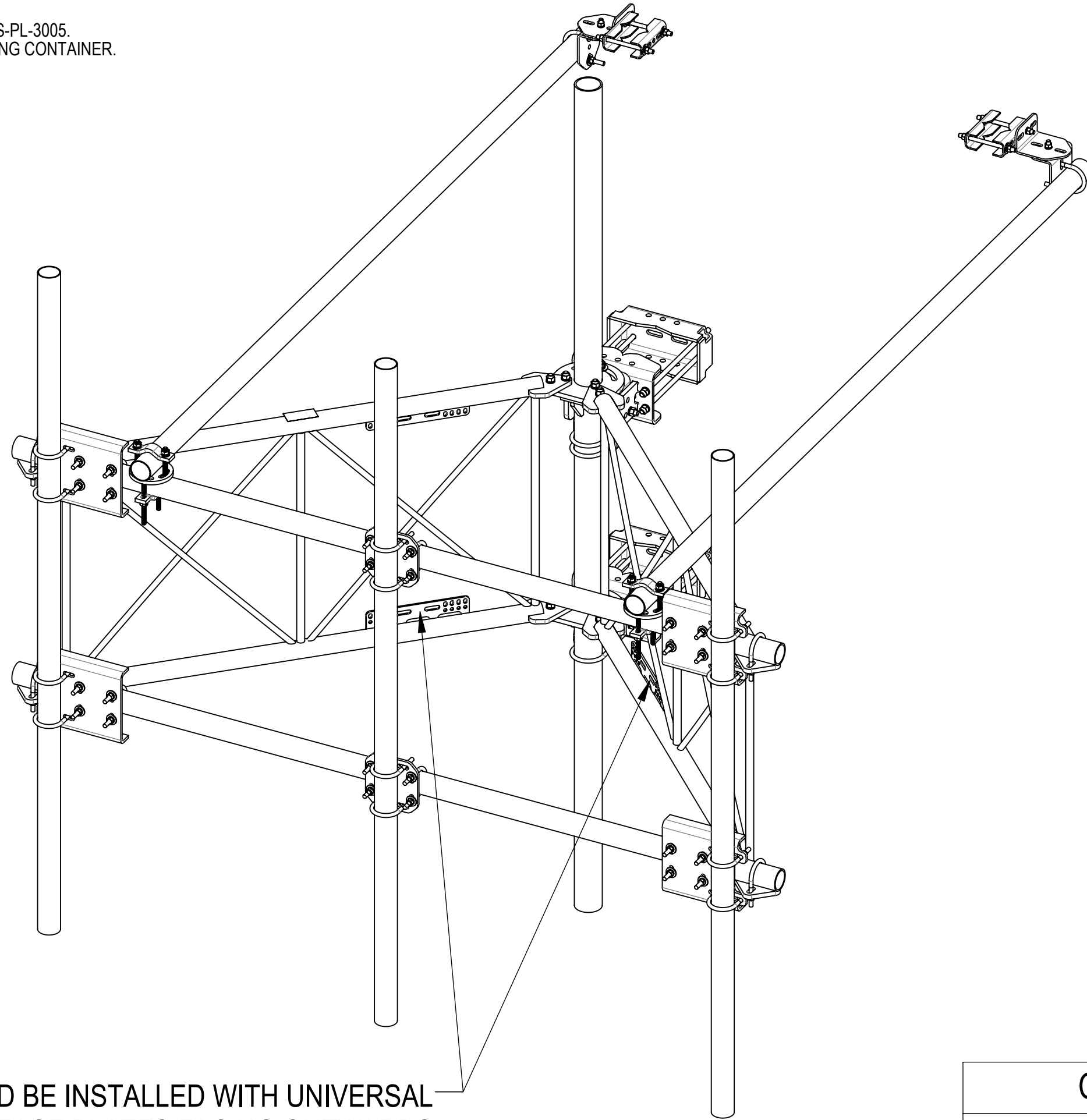
3

2

1

- 1.0 GENERAL NOTES
 - 1.1 ALL METRIC DIMENSIONS ARE IN BRACKETS [X.XX]
 - 1.2 FOR PATENT INFO: <https://www.cs-pat.com>
- 2.0 DESIGN NOTES
 - 2.1 ANY HAZARDS OR OBSTRUCTIONS TO THE CLIMBING FACILITY AND SAFETY CLIMB MUST BE IDENTIFIED PRIOR TO INSTALLING THE APPURTENANCE. ADDITIONAL PRODUCTS MAY BE REQUIRED TO MAINTAIN THE INTEGRITY OF THE SAFETY CLIMB. DURING INSTALLATION, TEMPORARY AND/OR PERMANENT PRECAUTIONARY MEASURES SHOULD BE TAKEN TO PRESERVE THE CLIMBING FACILITY AND/OR SAFETY CLIMB.
 - 2.2 UP TO 5° TAPER AVAILABLE ON MODELS THAT SUPPORT ADJUSTMENT.
- 3.0 MANUFACTURING/SPECIAL REQUIREMENTS
 - 3.1 TIGHTEN ALL BOLTS SECURING FLAT PLATES BY THE TURN-OF-NUT METHOD. TIGHTEN ALL U-BOLTS USING TURN-OF-NUT METHOD WITH ATTENTION TO LEAVE EQUAL DISTANCE AND EQUAL FORCE ON EACH LEG OF THE U-BOLT.
- 4.0 TEST
- 5.0 PACKAGING
 - 5.1 PACKAGING SHALL MEET COMMSCOPE REQUIREMENTS PER DOCUMENT IS-PL-3005.
 - 5.2 PRINTED DOCUMENT TO BE PLACED INSIDE POLYBAG AND THEN IN SHIPPING CONTAINER.
 - 5.3 EXTRA HARDWARE MAY BE SUPPLIED, BAGGED AND SHIPPED.

REVISIONS			
REV.	DESCRIPTION	DATE	APPROVED
A	INITIAL RELEASE	JL1183 03DEC24	XK1001 40209677CMO



SHOULD BE INSTALLED WITH UNIVERSAL
INTERFACE PLATES FACING OUTWARDS

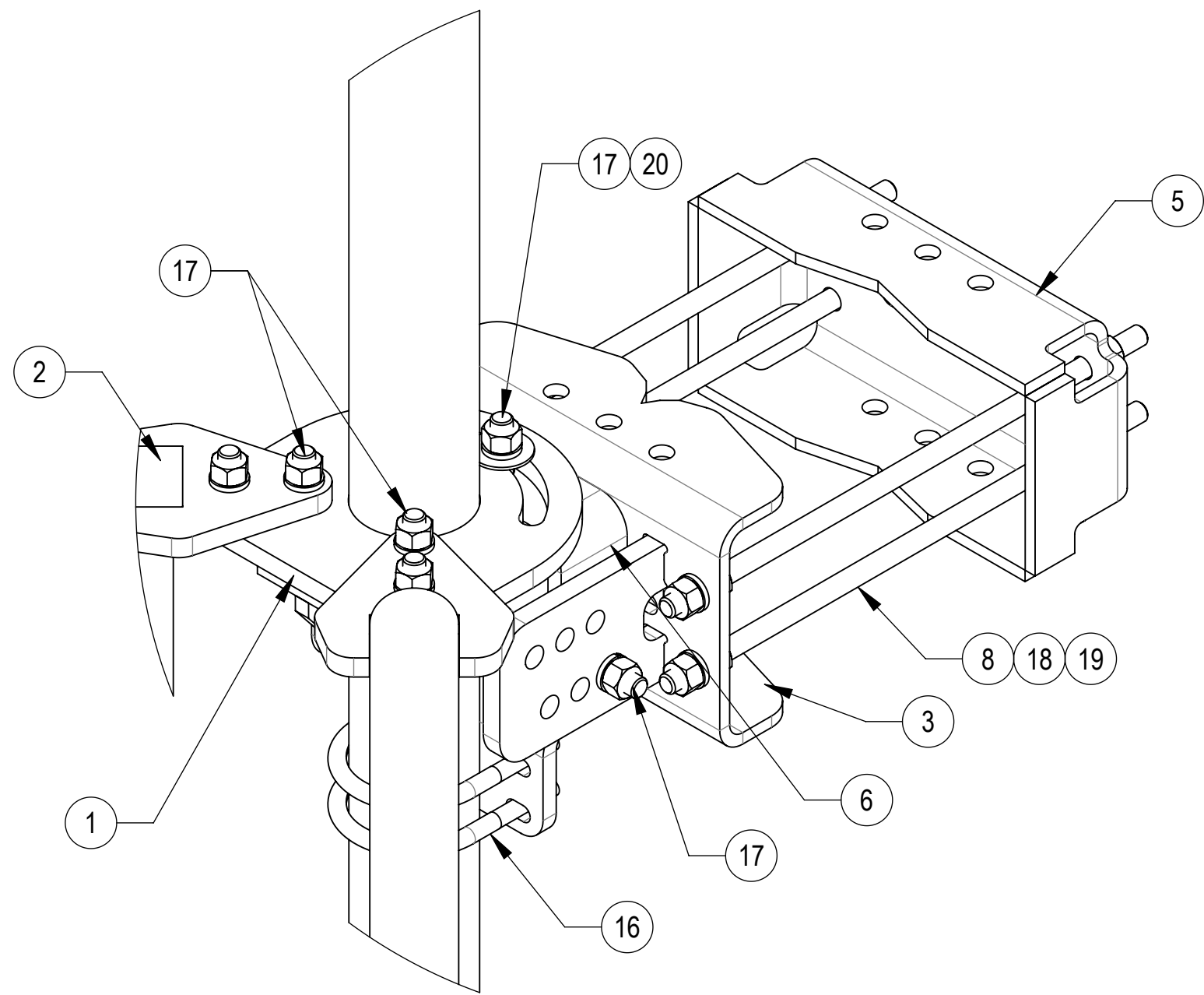
COMMSCOPE, INC. OF NORTH CAROLINA																
TOLERANCES					SAP MATERIAL MASTER											
1 PLACE .X[X] ± 0.2[6.3]			3 PLACE .XXX[X] ± 0.060[1.5]		SFG22RHDXL9-3-96											
2 PLACE .XX[X] ± 0.12[3.0]			ANGLES ± 2°													
FINISH					MATERIAL											
UNLESS OTHERWISE SPECIFIED DIMENSIONS ARE IN INCHES INTERPRET PER ANSI Y 14.5M-1994	NAME		DATE		PG,SF,09'FP,(3)096"AP											
	CE	JL1183	03DEC24													
	RW	JL1183	12/04/2024													
	AD	XK1001	12/10/2024													
	RE	JL1183	12/16/2024													
ECN 40209677CMO					SCALE 1:14		DOCUMENT NO. SFG22RHDXL9-3-96									
SIZE		Auth Group		INSL		MODEL			DRAWING							
C						VERSION	STATUS	REVISION	VERSION	STATUS	REVISION					
						01	RE	B	00	RE	A					
DENSITY		780.36		lbs/in³		<table border="1" style="width: 100%; border-collapse: collapse;"> <tr> <td>HEIGHT</td> <td>120"</td> </tr> <tr> <td>LENGTH</td> <td>108"</td> </tr> <tr> <td>WIDTH</td> <td>120"</td> </tr> </table>					HEIGHT	120"	LENGTH	108"	WIDTH	120"
HEIGHT	120"															
LENGTH	108"															
WIDTH	120"															
MASS		780.36		lbs												
VOLUME		2759.01		in³												
SURFACE AREA		27543.65		in²												

4

3

2

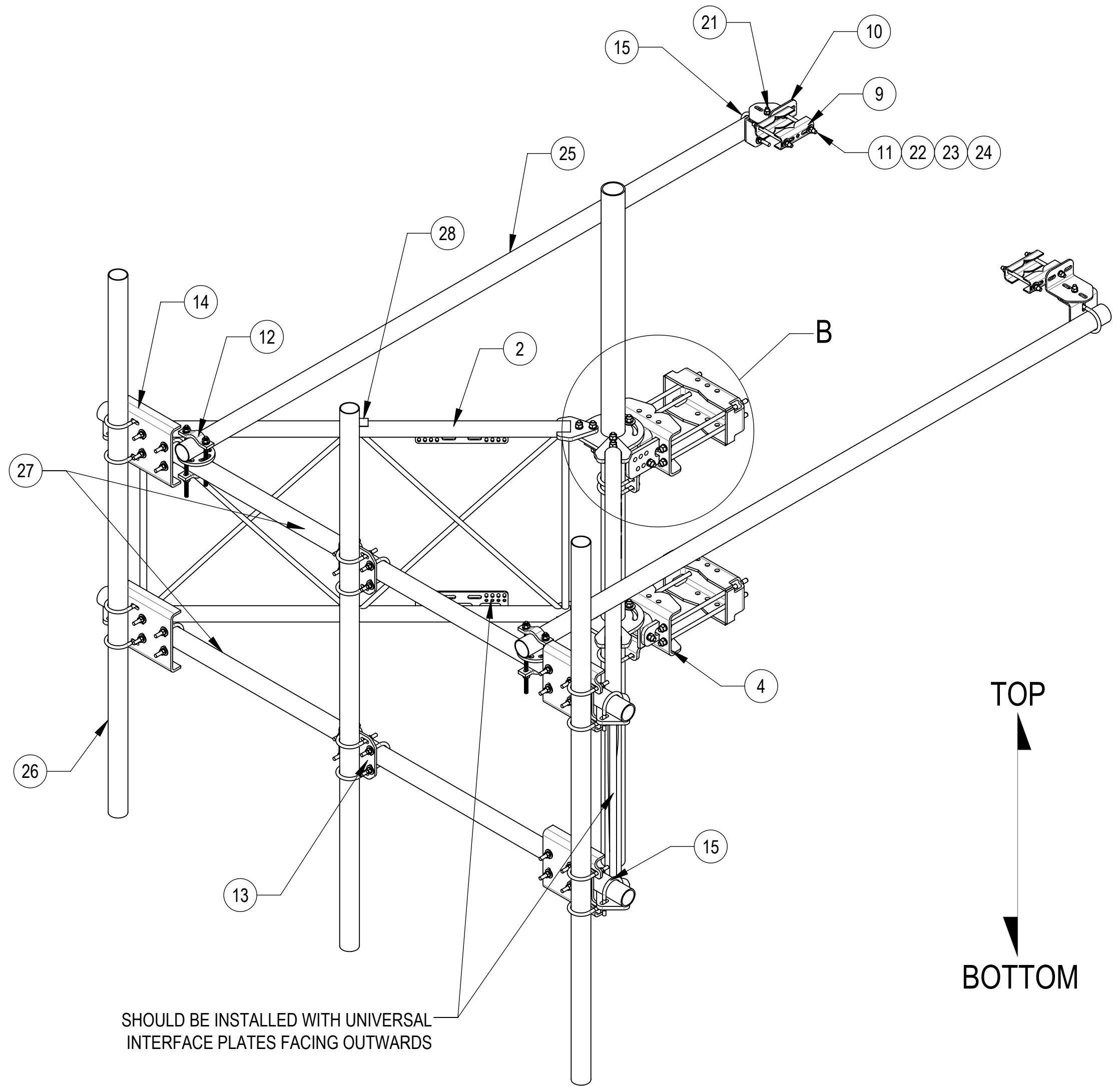
1



DETAIL B
SCALE 1 : 4

COMPONENT PART NUMBERS PROVIDED FOR ASSEMBLY PURPOSES;
INDIVIDUAL COMPONENTS MAY BE SHIPPED AS PARTS WITHIN AN INCLUDED KIT.

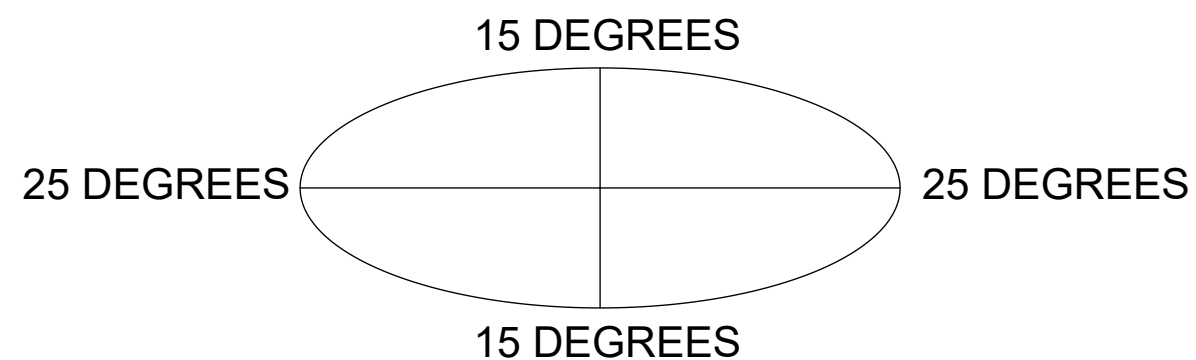
ITEM	PART NO.	DESCRIPTION	QTY.	WEIGHT	NOTE NO.
1	SFG2204	WELDMENT, BACK VERTICAL ARM MOUNT	1	97.29 LBS	
2	SFG2298-00	ARM, STANDOFF, G22HDXL	2	89.59 LBS	
3	SFG2380	WELDMENT, HD, TOP TAPER BRACKET	1	22.78 LBS	
4	SFG2381	WELDMENT, HD, LOWER TOWER LEG BRACKET	1	17.42 LBS	
5	SFG2289	G2 RRU BACK CLAMP, HD	2	18.65 LBS	
6	SFG2386	WELDMENT, SFG2 AZIMUTH BRACKET	1	10.07 LBS	
7	SFG2397-00	WELDMENT, G23 AZIMUTH BRACKET	1	7.94 LBS	
8	MT-382-18	5/8" X 18" THREADED ROD	8	1.43 LBS	
9	SAB01	FORMED CLAMP	4	1.35 LBS	
10	XAU01	ANGLE, CROSSOVER, 1.9-3.5" X 1.9-3.5" OD	4	2.98 LBS	
11	MT-379-8	1/2" X 8" GALV THREADED ROD	4	0.45 LBS	
12	XP-R	CROSSOVER PLATE, ROUND, UP TO 3.5" OD	2	6.20 LBS	
13	XP-2525	CROSSOVER PLATE KIT, 2-7/8 OD X 2-7/8 OD	2	8.37 LBS	
14	XP-2525-OFF	OFFSET CO PLATE KIT, 2-7/8ODX2-7/8OD	4	17.91 LBS	
15	GUB-4352	1/2" X 3" X 5-1/4" GALV U-BOLT	6	0.71 LBS	
16	GUB-4355	1/2" X 3-5/8" X 5" GALV U-BOLT	3	0.71 LBS	
17	GB-05225	5/8" X 2-1/4" GALV BOLT KIT	14	0.28 LBS	
18	GN-05	5/8" GALV HEX NUT	24	0.08 LBS	
19	GWL-05	5/8" GALV LOCK WASHER	16	0.03 LBS	
20	GWF-05	5/8" GALV FLAT WASHER, 1.7OD	2	0.06 LBS	
21	GB-04145	1/2" X 1-1/2" GALV BOLT KIT	2	0.13 LBS	
22	GN-04	1/2" GALV HEX NUT	10	0.04 LBS	
23	GWL-04	1/2" GALV LOCK WASHER	10	0.01 LBS	
24	GWF-04	1/2" GALV FLAT WASHER	8	0.04 LBS	
25	MT546120120	PIPE, 2.875"OD X 120"	2	35.44 LBS	
26	MT54696120	PIPE, 2.875"OD X 96"	3	28.35 LBS	
27	MT546108	2.875" O.D. X 108" PIPE	2	51.86 LBS	
28	SFG2299	LABEL, SFG22RHDXL	1	0.04 LBS	



SHOULD BE INSTALLED WITH UNIVERSAL
INTERFACE PLATES FACING OUTWARDS

ALLOWABLE TIEBACK ANGLE

± 15 DEGREES VERTICAL
± 25 DEGREES HORIZONTAL



COMMSCOPE, INC. OF NORTH CAROLINA				
TITLE PG,SF,09'FP,(3)096"AP				
SIZE C	SCALE 1:14	DOCUMENT NO. SFG22RHDXL9-3-96		
DRAWING		VERSION	STATUS	REVISION
		00	RE	A
				SHEET 2 OF 6

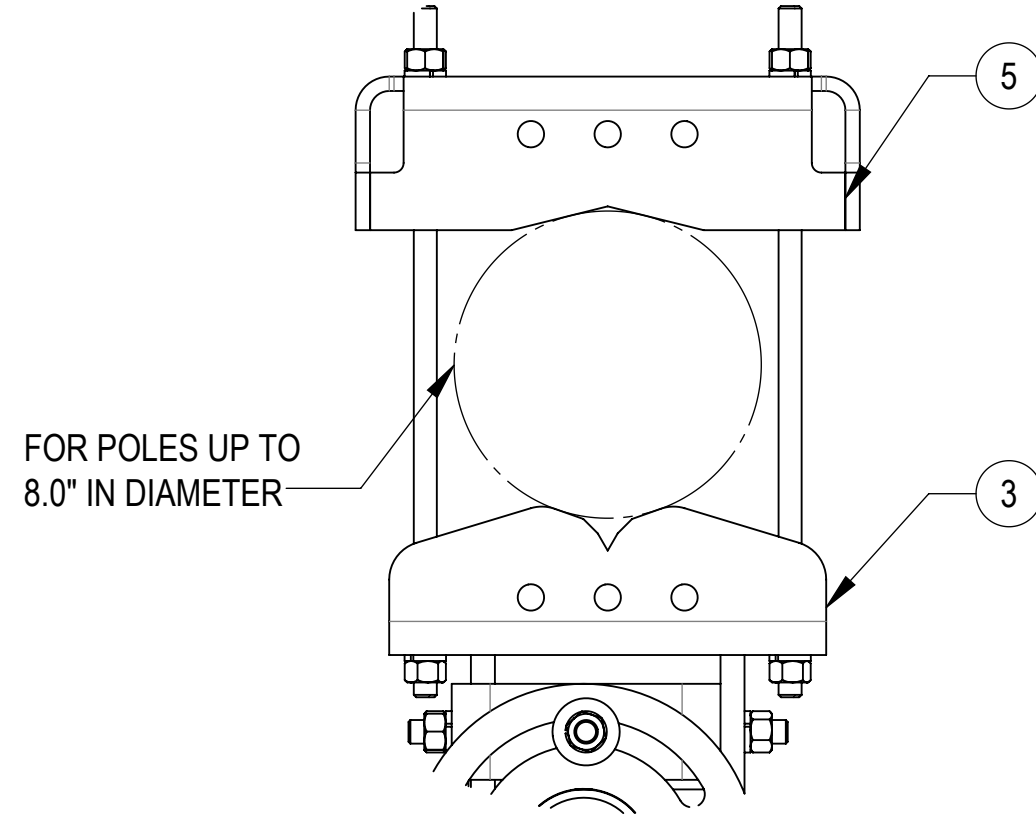
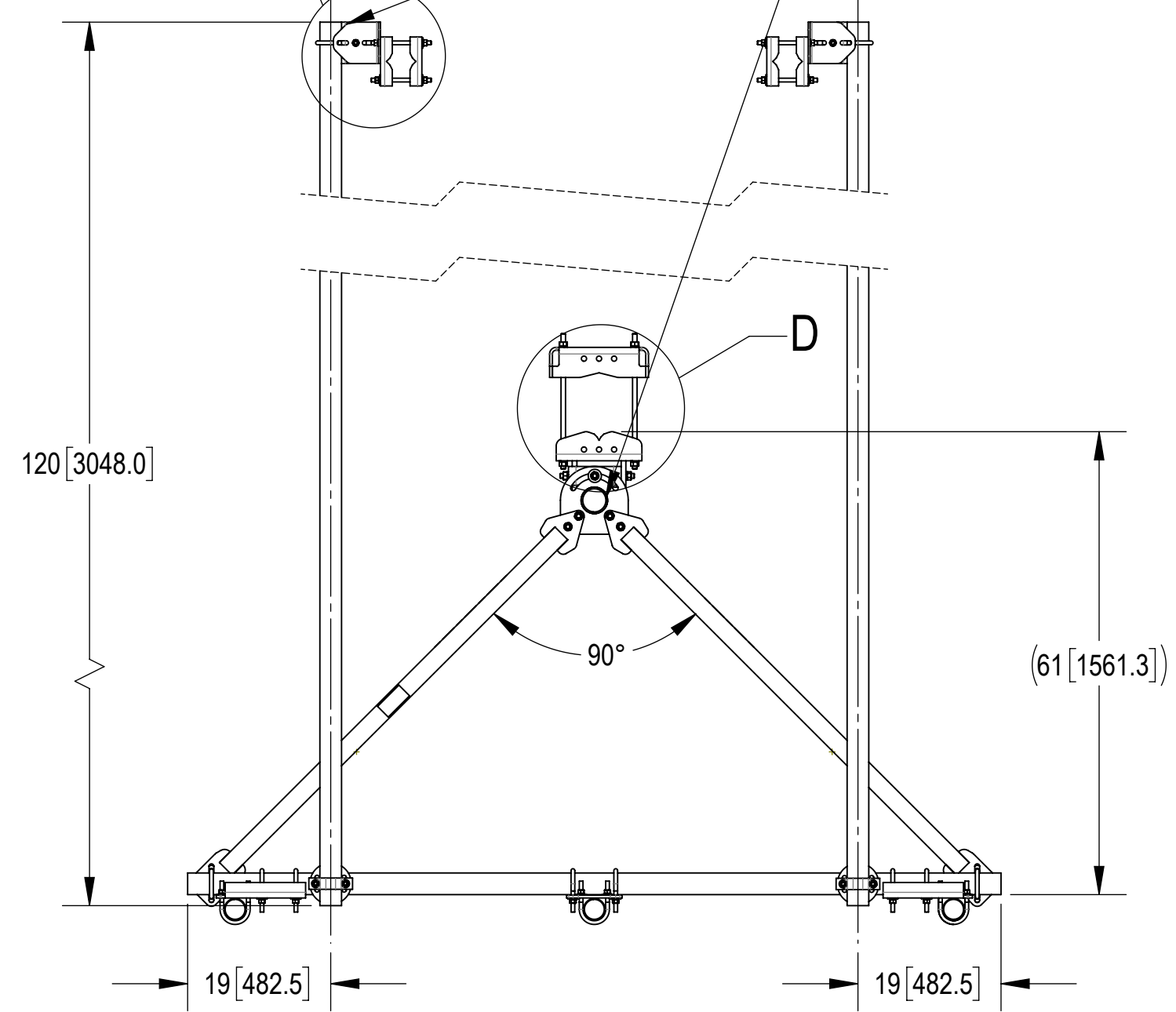
4

3

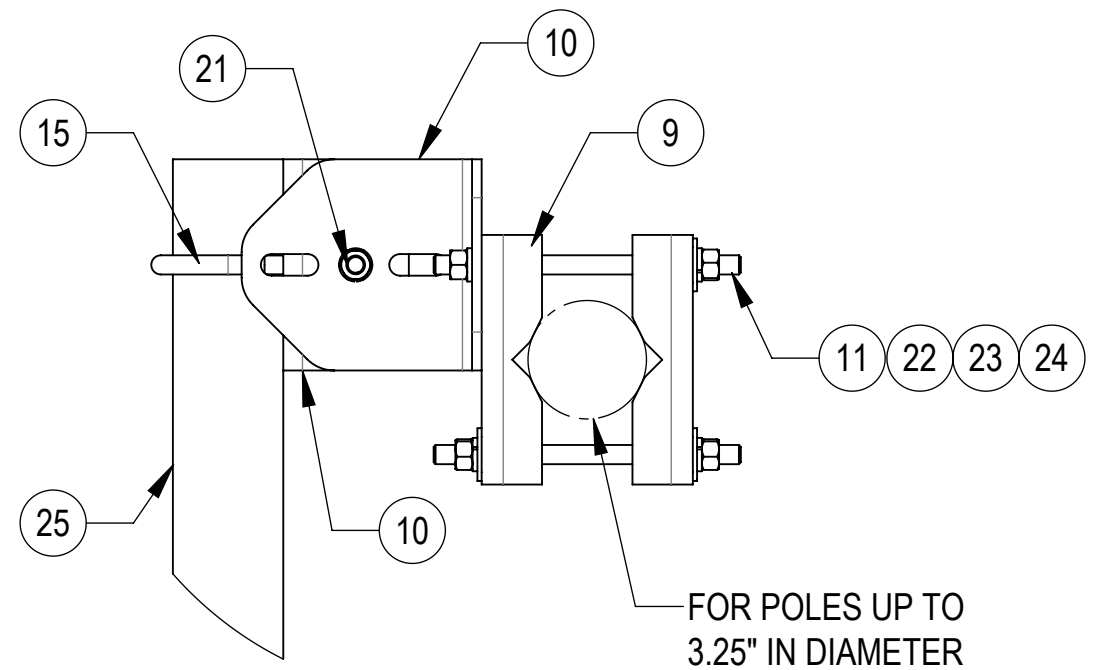
2

1

TIEBACK MUST BE CONNECTED TO A RIGID MEMBER THAT PROVIDES ADEQUATE SUPPORT WITHIN THE LIMITS NOTED IN THE TIEBACK ANGLE RANGE DETAIL. UNLESS APPROVED BY ENGINEER OF RECORD. SPINE STEM OF NEIGHBORING MOUNT IS ACCEPTABLE.

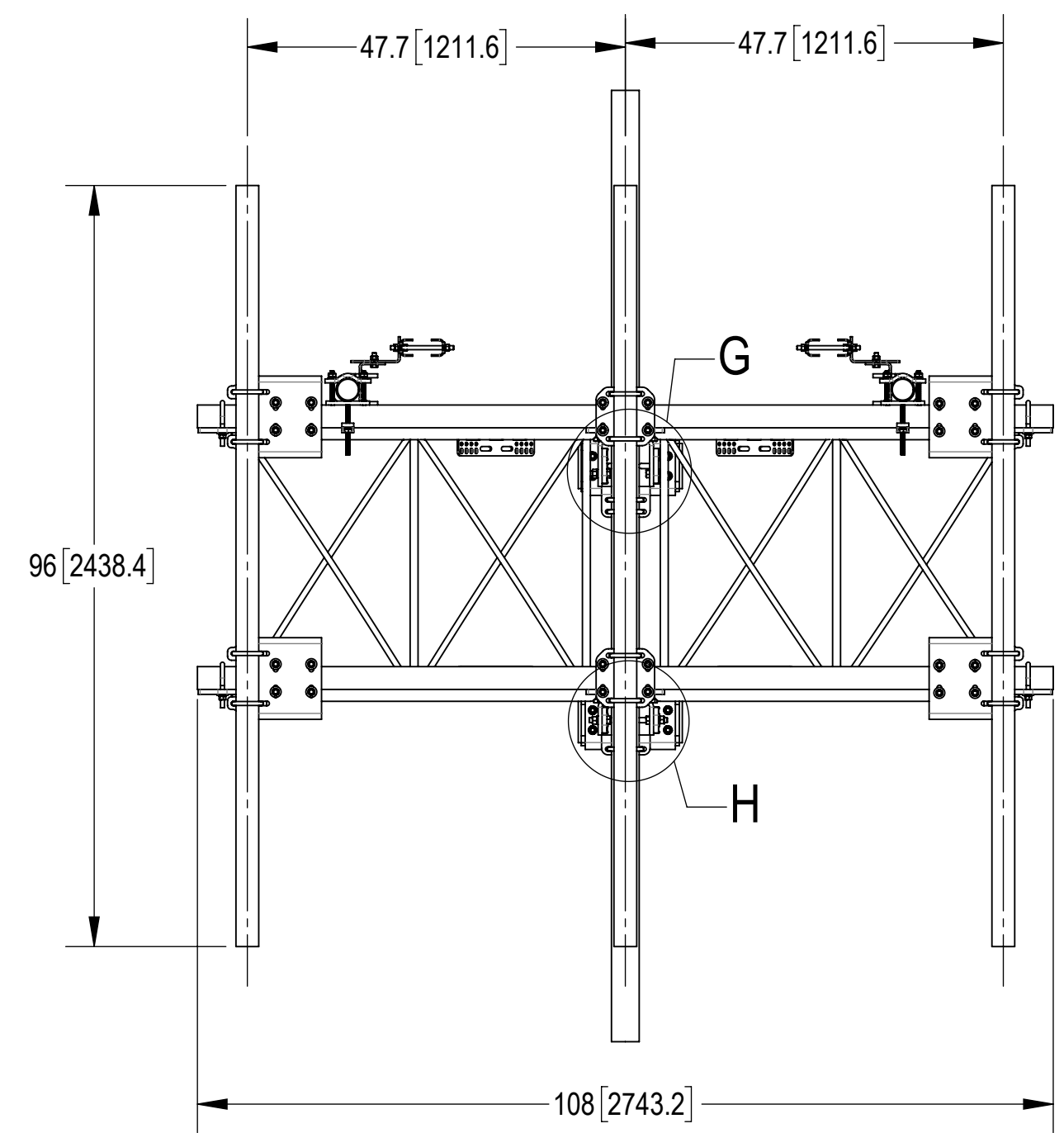
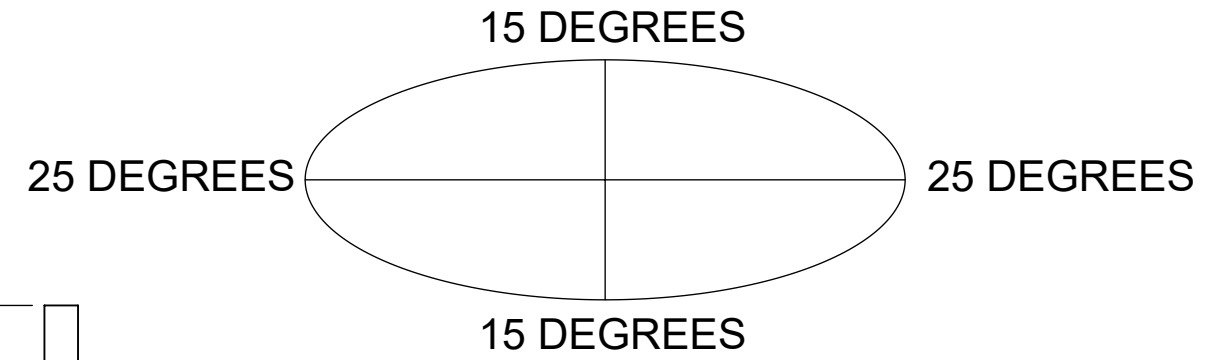


DETAIL D
SCALE 1:5

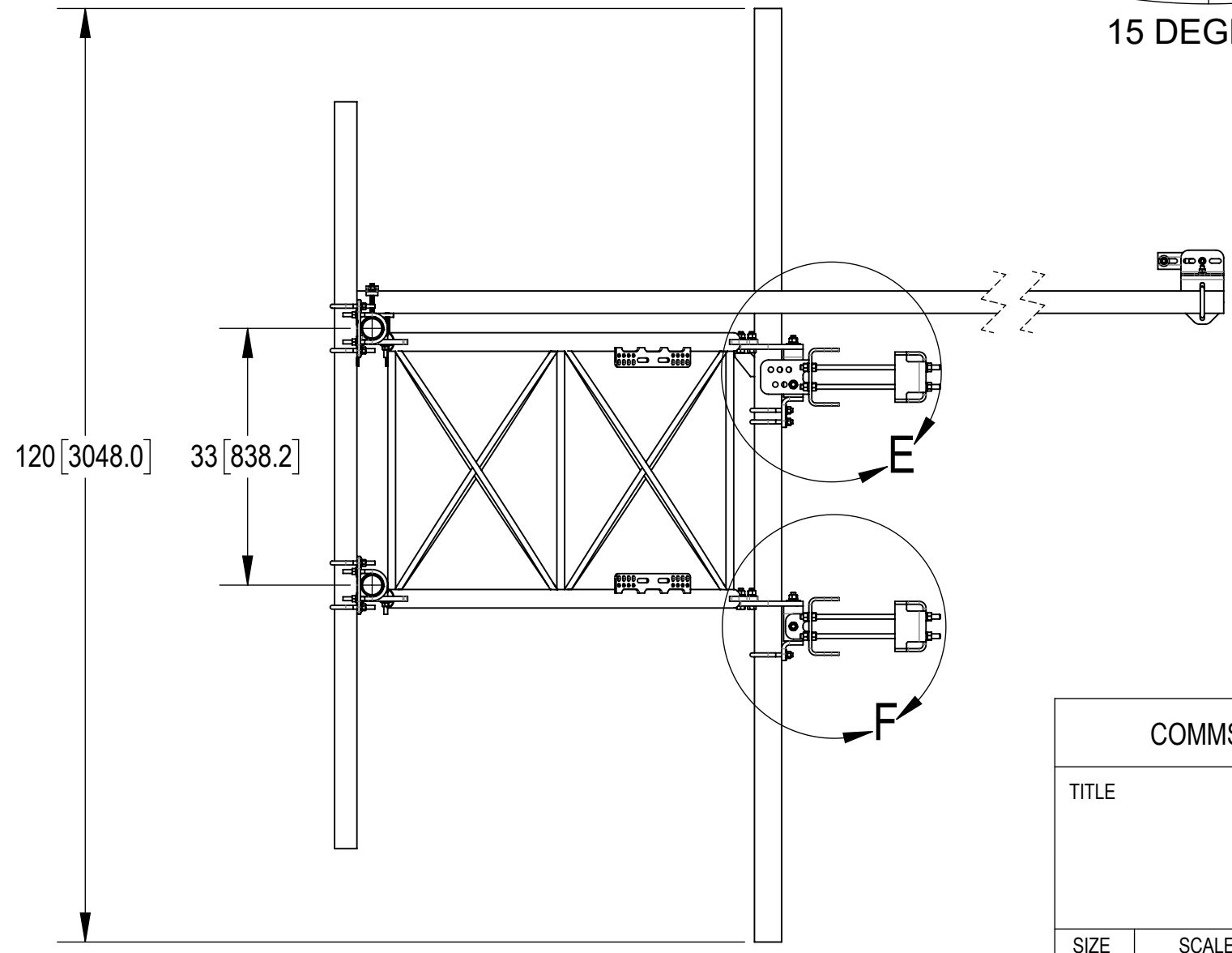


DETAIL C
SCALE 1:5

ALLOWABLE TIEBACK ANGLE
 +15 DEGREES VERTICAL
 ±25 DEGREES HORIZONTAL



TOP
 ↓
 BOTTOM



COMMSCOPE, INC. OF NORTH CAROLINA				
TITLE PG,SF,09'FP,(3)096"AP				
SIZE C	SCALE 1:20	DOCUMENT NO. SFG22RHDXL9-3-96		
		DRAWING		SHEET
		VERSION	STATUS	REVISION
		00	RE	A
				SHEET 3 OF 6

4

3

2

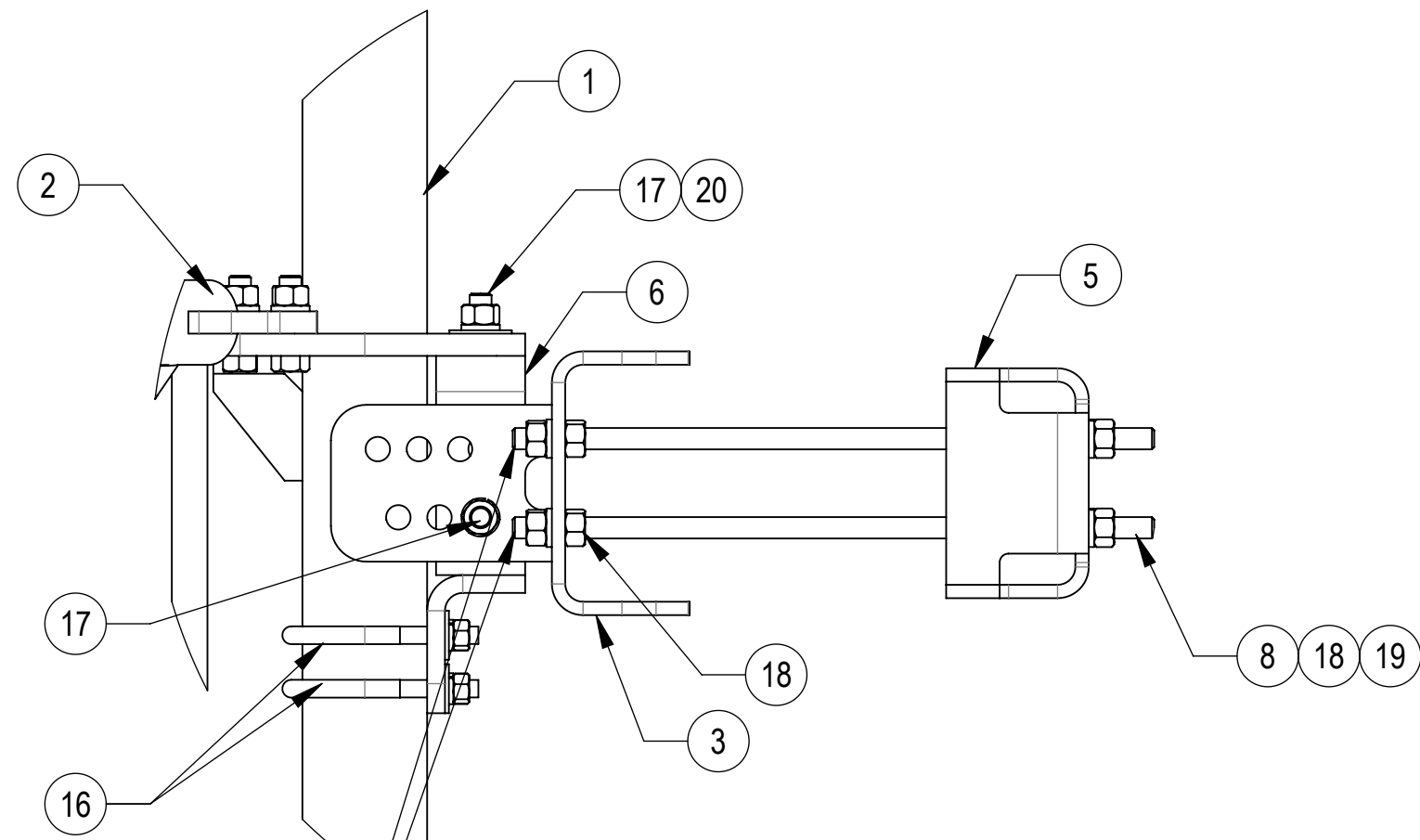
1

4

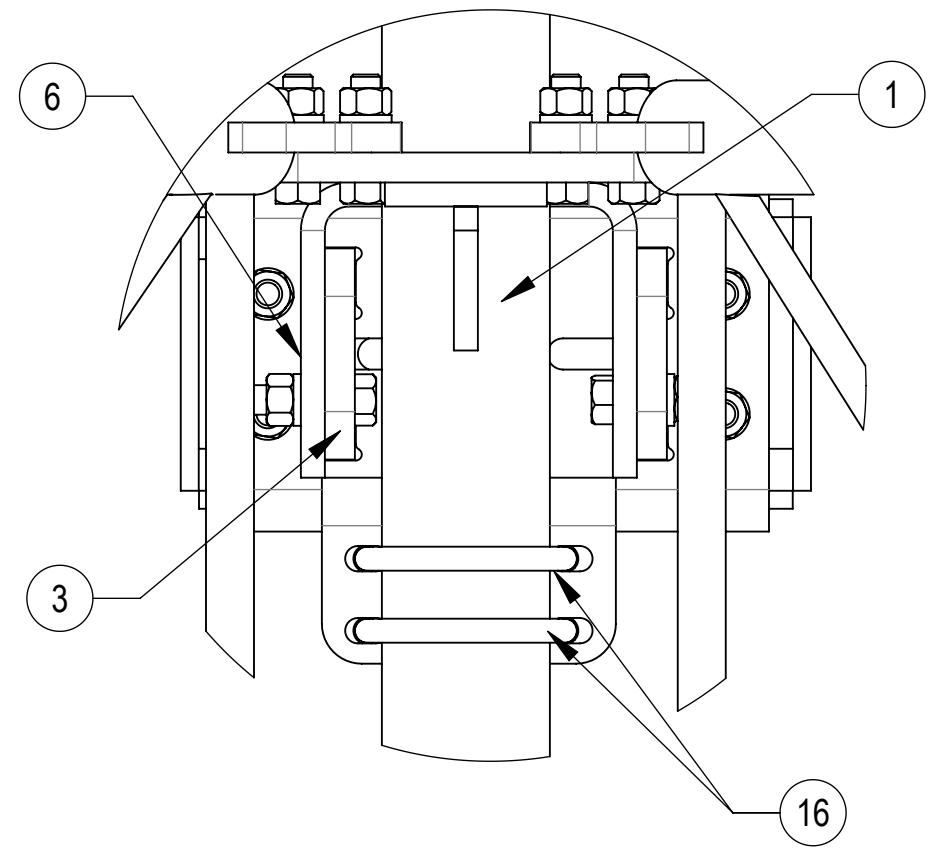
3

2

1

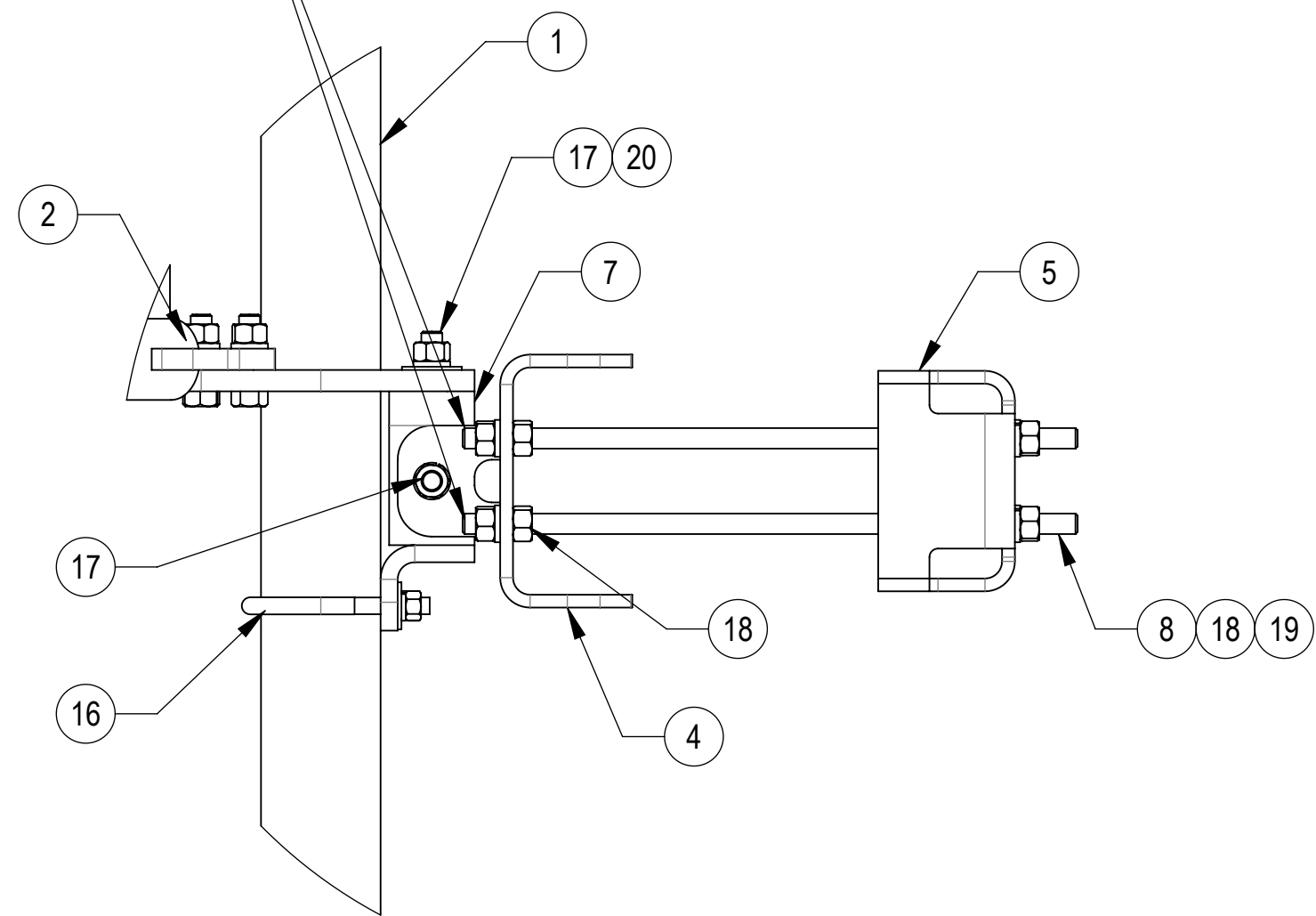


DETAIL E
SCALE 1 : 5

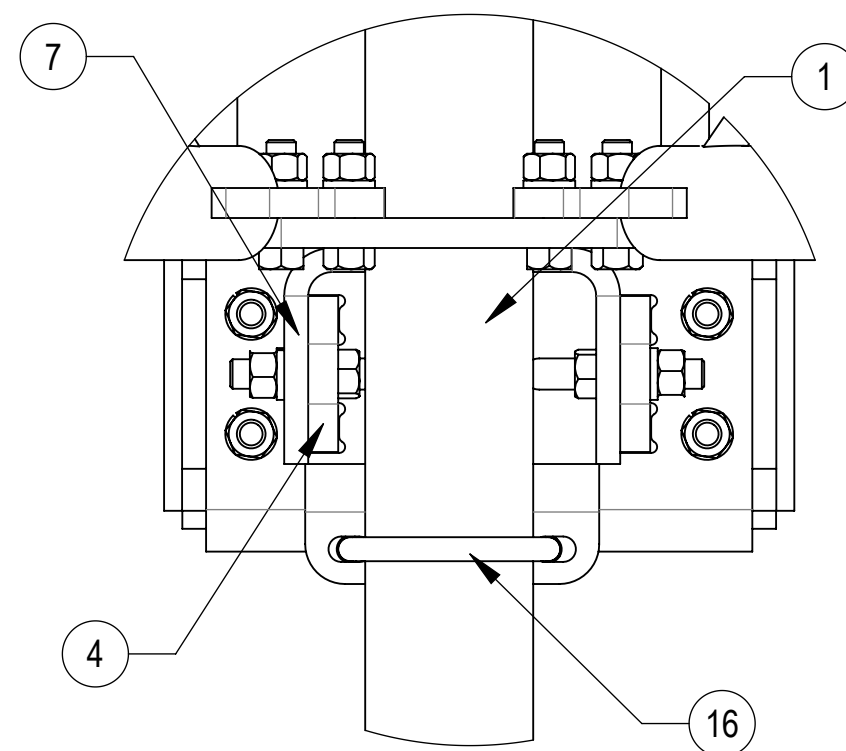


DETAIL G
SCALE 1 : 4

THE THREADED ROD CAN ONLY EXPOSE 4 TO 7 THREADS ON ONE SIDE OF THE BRACKET, WHICH IS TO PREVENT INTERFERENCE WITH THE SIDE BOLTS



DETAIL F
SCALE 1 : 5



DETAIL H
SCALE 1 : 4

COMMSCOPE, INC. OF NORTH CAROLINA				
TITLE PG,SF,09'FP,(3)096"AP				
SIZE C	SCALE 1:22	DOCUMENT NO. SFG22RHDXL9-3-96		
		DRAWING		SHEET
		VERSION	STATUS	REVISION
		00	RE	A
				4 OF 6

4

3

2

1

D

D

C

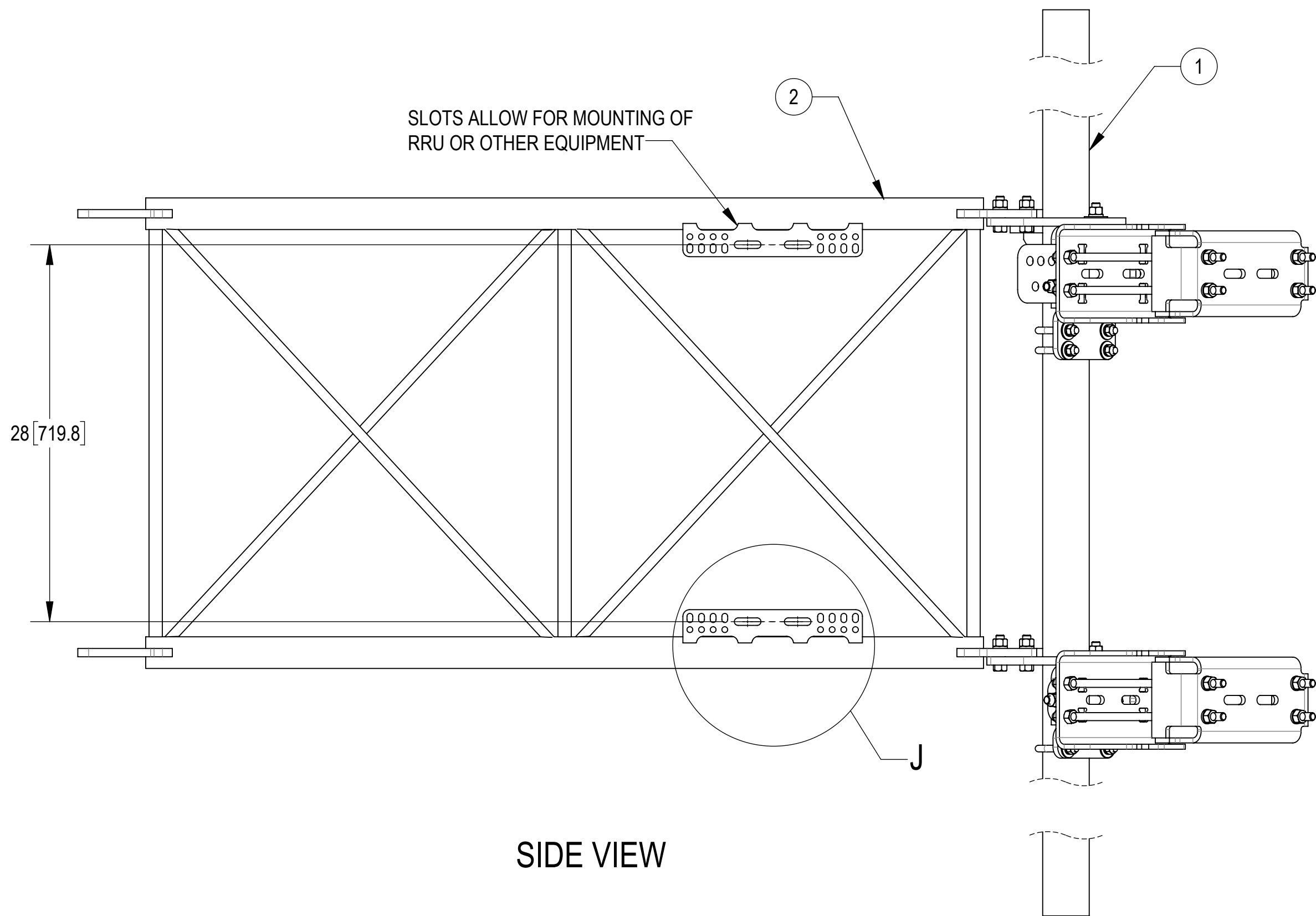
C

B

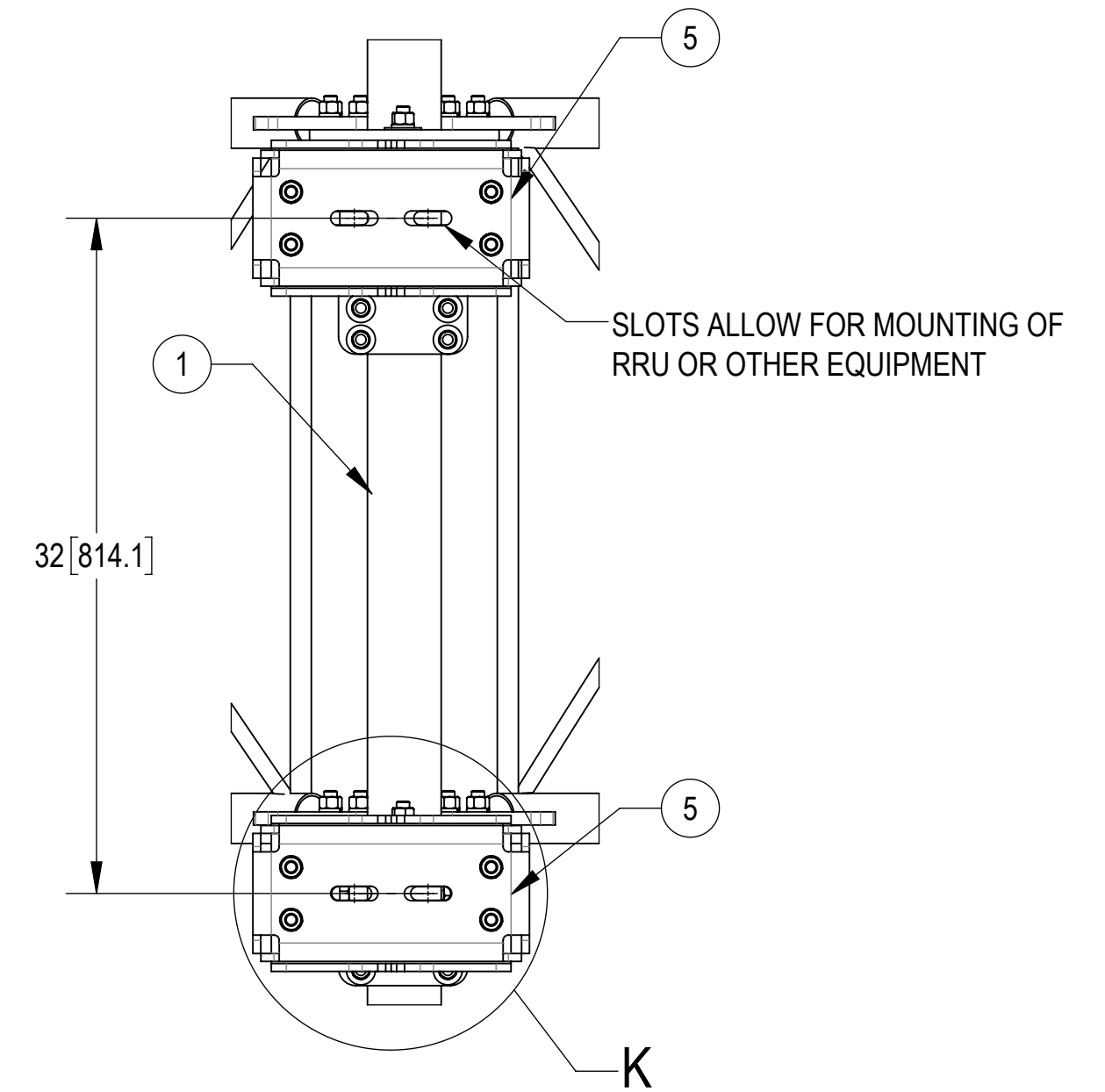
B

A

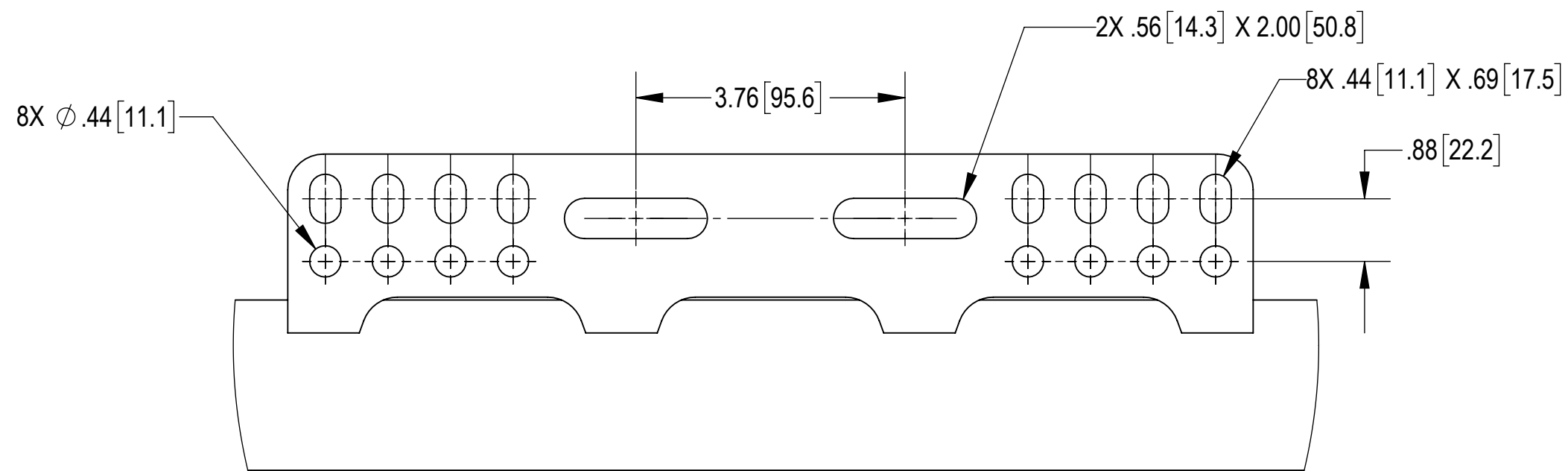
A



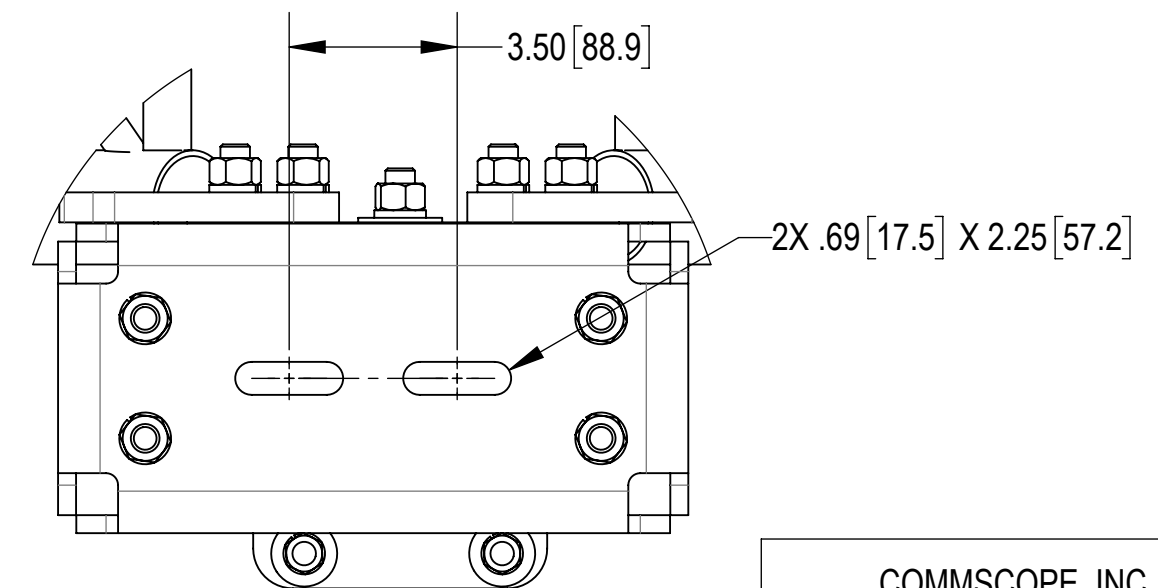
SIDE VIEW



BACK CROP VIEW



DETAIL J
SCALE 1 : 2



DETAIL K
SCALE 1 : 4

COMMSCOPE, INC. OF NORTH CAROLINA				
TITLE PG,SF,09'FP,(3)096"AP				
SIZE C	SCALE 1:32	DOCUMENT NO. SFG22RHDXL9-3-96		
		DRAWING		SHEET 5 OF 6
		VERSION 00	STATUS RE	

4

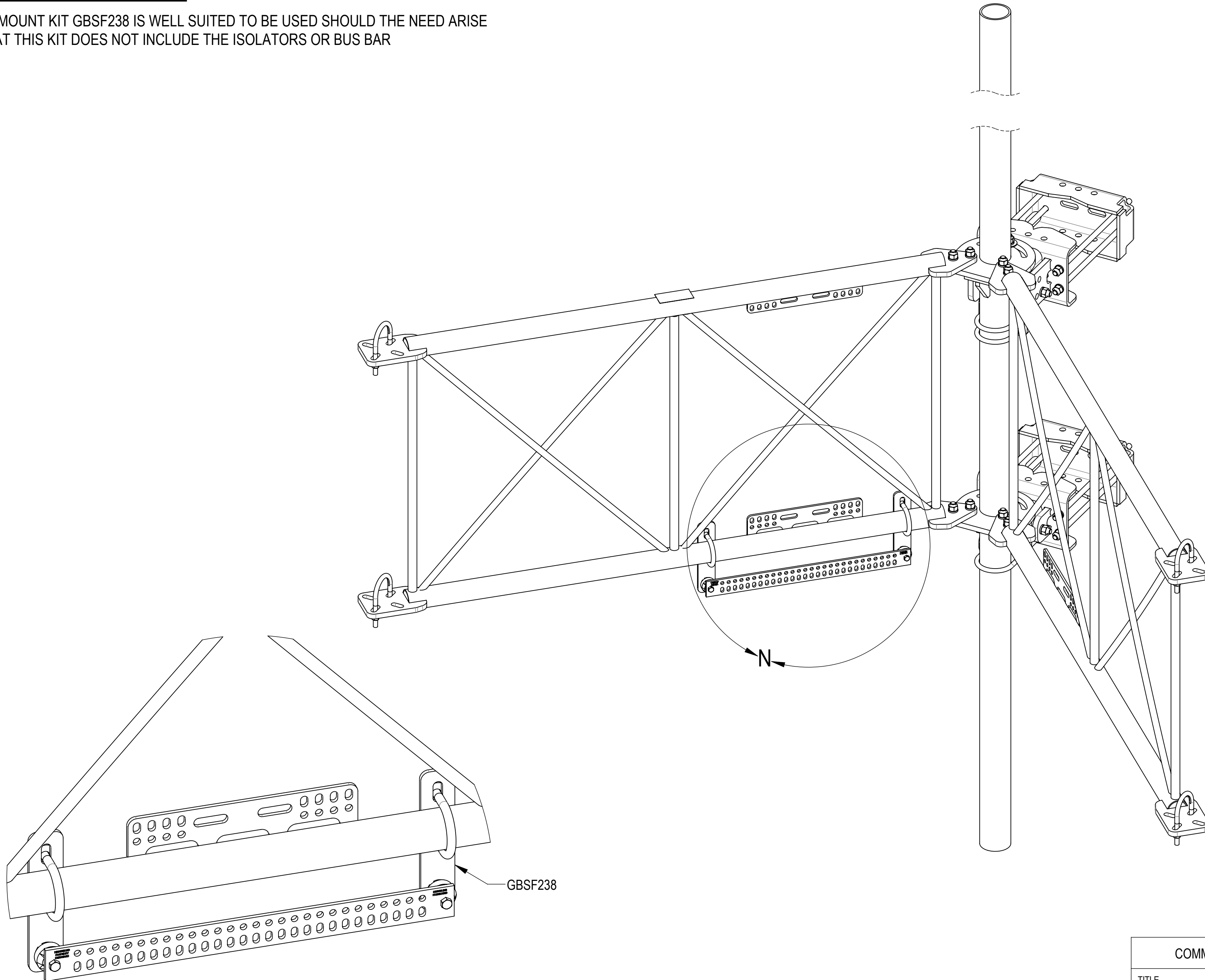
3

2

1

OPTIONAL ACCESSORIES:

BUS BAR MOUNT KIT GBSF238 IS WELL SUITED TO BE USED SHOULD THE NEED ARISE
NOTE THAT THIS KIT DOES NOT INCLUDE THE ISOLATORS OR BUS BAR



DETAIL N
SCALE 1 : 4

GBSF238

COMMSCOPE, INC. OF NORTH CAROLINA					
TITLE					
PG,SF,09'FP,(3)096"AP					
SIZE	SCALE	DOCUMENT NO.			
C	1:24	SFG22RHDXL9-3-96			
		DRAWING			SHEET 6 OF 6
		VERSION	STATUS	REVISION	
		00	RE	A	

4

3

2

1